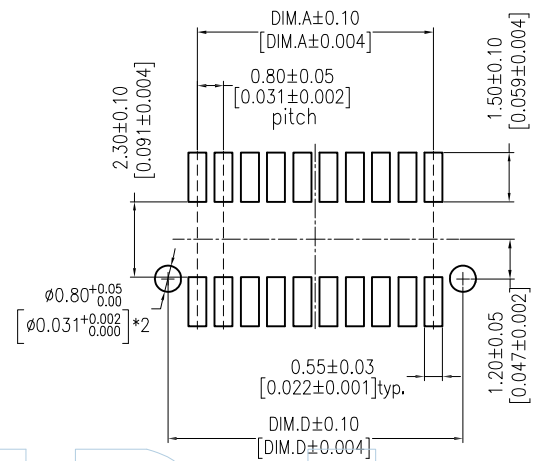
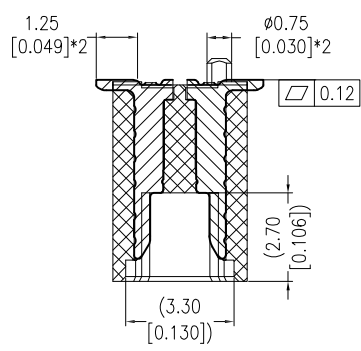
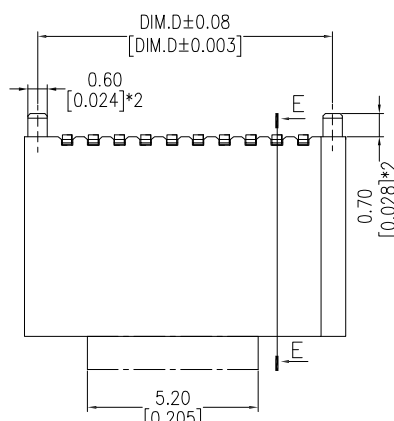


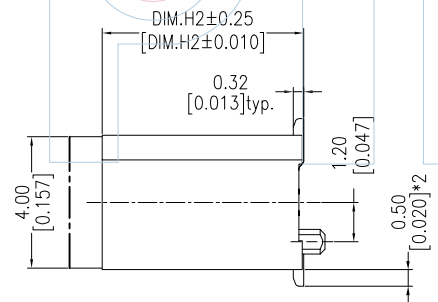
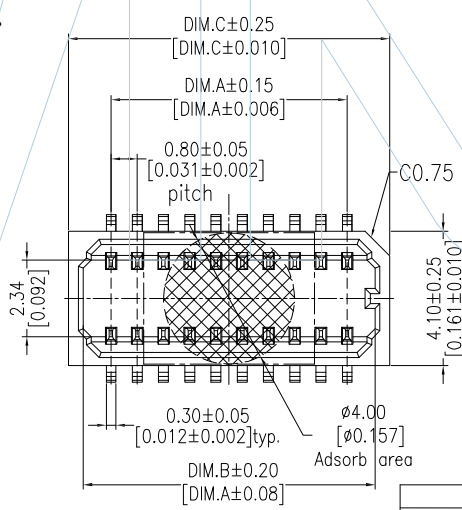
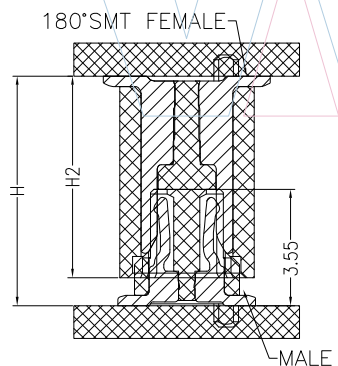


Recommended P.C.B Layout (Top Side)
(PCB BOARD TOLERANCE+0.05)



PART NUMBER CODING
BTC03 E XXX-XXX XX X X 1

F:Female
Housing High Female=H2
No.of Pins
Contact Plating G1=3u"Gold G2=5u"Gold S1=3u"Gold/Tin S2=5u"Gold/Tin
Insulator Material/Colour C:Natural
Packing T:Tube P:Tube+CAP R:Tape&Reel+CAP



17.00	17.80	16.90	15.20	40
16.20	17.00	16.10	14.40	38
15.40	16.20	15.30	13.60	36
14.60	15.40	14.50	12.80	34
13.80	14.60	13.70	12.00	32
13.00	13.80	12.90	11.20	30
12.20	13.00	12.10	10.40	28
11.40	12.20	11.30	9.60	26
10.60	11.40	10.50	8.80	24
9.80	10.60	9.70	8.00	22
9.00	9.80	8.90	7.20	20
8.20	9.00	8.10	6.40	18
7.40	8.20	7.30	5.60	16
6.60	7.40	6.50	4.80	14
5.80	6.60	5.70	4.00	12
5.00	5.80	4.90	3.20	10
DIM.D	DIM.C	DIM.B	DIM.A	PIN NO

PART NO.	FEMALE(H2)	ASS'Y HEIGHT(H)	FEMALE(H2)	MALE(H1)
BTC03F036-XXXXXXXX1	3.65	4.50	3.65	3.55
BTC03F041-XXXXXXXX1	4.15	5.00	4.15	
BTC03F047-XXXXXXXX1	4.70	5.65	4.70	
BTC03F051-XXXXXXXX1	5.15	6.00	5.15	
BTC03F056-XXXXXXXX1	5.65	6.50	5.65	
BTC03F061-XXXXXXXX1	6.15	7.00	6.15	

WINPIN
Tel:+86 769 82581808 FAX:+86 769 81766192
E-Mail:winpin@win-pin.com Http:www.win-pin.com

NOTES:
Current Rating:0.5AMP
Contact Resistance:30mΩ max
Withstand Voltage:500V AC/DC
Insulation Resistance:100MΩ Min
Operation Temperature:-20°C to +105°C

Housing Material:PA9T(UL94V-0),Nature
Contact Material:Phosphor Bronze
Contact plating:Au or Sn over Ni

UNLESS OTHERWISE SPECIFIED DIMENSIONS ARE IN METRIC TOLERANCES ARE:
DECIMALS Angle
X.X:±0.40 ± 3°
X.XX:±0.25
X.XXX:±0.15

PART NO: BTC03FXXX-XXXXXXXX1
TITLE: 0.80mm B TO B *M*FEMALE 180°SMT TYPE

SCALE 1:1
UNIT MM
PROJ.
SHEET

A0	2015/06/25	NEW	Hua.ZT		Hua.ZT
REV	DATE	MODIFICATION DESCRIPTIO	DRAW	CHANGE	APPROVE