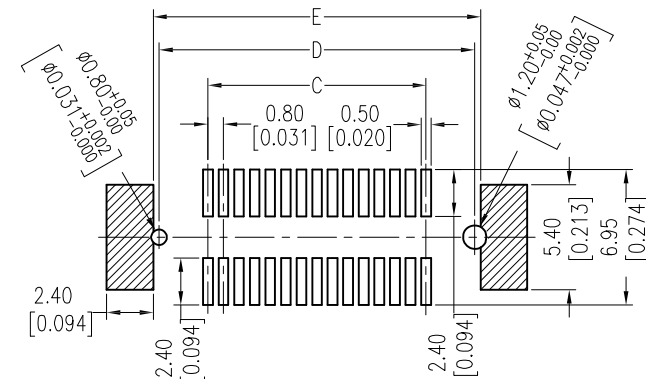
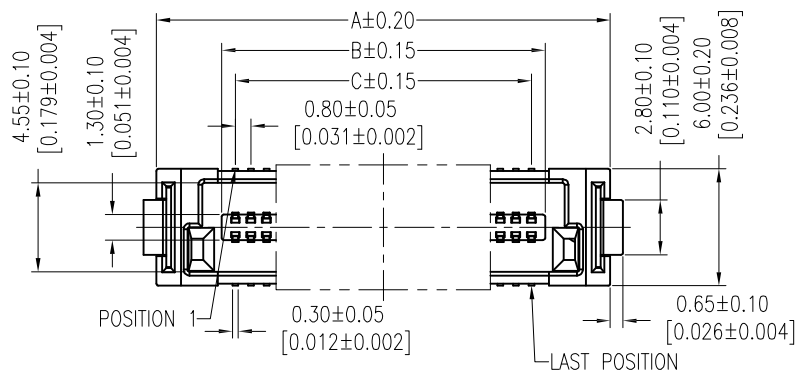




Recommended P.C.B Layout (Top Side)
(PCB BOARD TOLERANCE+0.05)

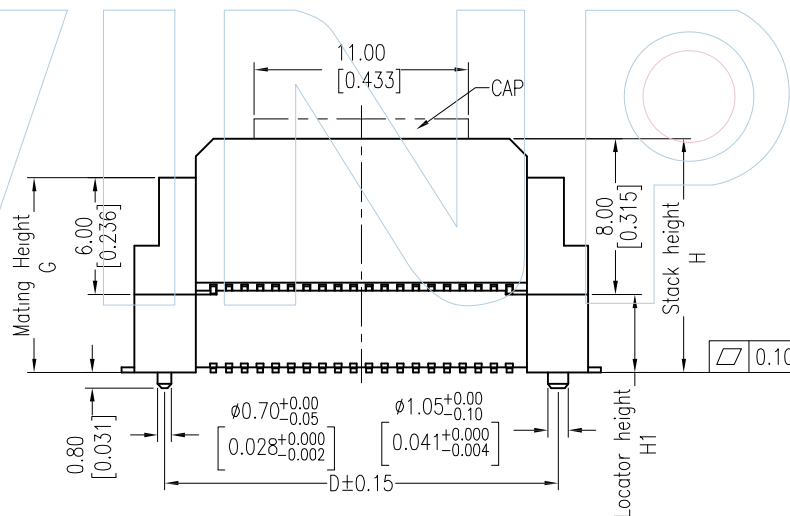


PART NUMBER CODING

BTC04 M XXX-XXX XX X X 1

M:Male Housing High No.of Pins Contact Plating G1=3u"Gold G2=5u"Gold S1=3u"Gold/Tin S2=5u"Gold/Tin Insulator Material/Colour:T:Tube C:PNatural Packing P:Tape+CAP R:Tape&Reel+CAP

| No. of Pins | Dimension | | | | |
|-------------|-----------|-------|-------|-------|-------|
| | A | B | C | D | E |
| 20 | 15.30 | 8.60 | 7.20 | 12.20 | 12.80 |
| 30 | 19.30 | 12.60 | 11.20 | 16.20 | 16.80 |
| 40 | 23.30 | 16.60 | 15.20 | 20.20 | 20.80 |
| 60 | 31.30 | 24.60 | 23.20 | 28.20 | 28.80 |
| 80 | 39.30 | 32.60 | 31.20 | 36.20 | 36.80 |
| 100 | 47.30 | 40.60 | 39.20 | 44.20 | 44.80 |
| 120 | 55.30 | 48.60 | 47.20 | 52.20 | 52.80 |
| 160 | 71.30 | 64.60 | 63.20 | 68.20 | 68.80 |



| Dim H | Dim G | Dim H1 |
|-------|-------|--------|
| 8.00 | 6.00 | --- |
| 11.00 | 9.00 | 3.00 |
| 12.00 | 10.00 | 4.00 |
| 13.00 | 11.00 | 5.00 |
| 14.00 | 12.00 | 6.00 |



Tel:+86 769 82581808 FAX:+86 769 81766192
E-Mail:winpin@win-pin.com Http:www.win-pin.com

NOTES:
Current Rating:0.5AMP
Contact Resistance:30mΩ max
Withstand Voltage:500V AC/DC
Insulation Resistance:100MΩ Min
Operation Temperature:-20°C to +105°C

Housing Material:LCP(UL94V-0),Nature
Contact Material:Phosphor Bronze
Contact plating:Au or Sn over Ni

UNLESS OTHERWISE SPECIFIED DIMENSIONS ARE IN METRIC TOLERANCES ARE:
DECIMALS Angle
X.X:±0.40 ± 3°
X.XX:±0.25
X.XXX:±0.15

PART NO: BTC04MXXX-XXXXXX1

TITLE: 0.80mm B TO B Plug "D" SMT TYPE

SCALE 1:1
UNIT MM
PROJ.
SHEET

| REV | DATE | MODIFICATION DESCRIPTIO | DRAW | CHANGE | APPROVE |
|-----|------------|-------------------------|--------|--------|---------|
| A0 | 2015/06/25 | NEW | Hua.ZT | | Hua.ZT |