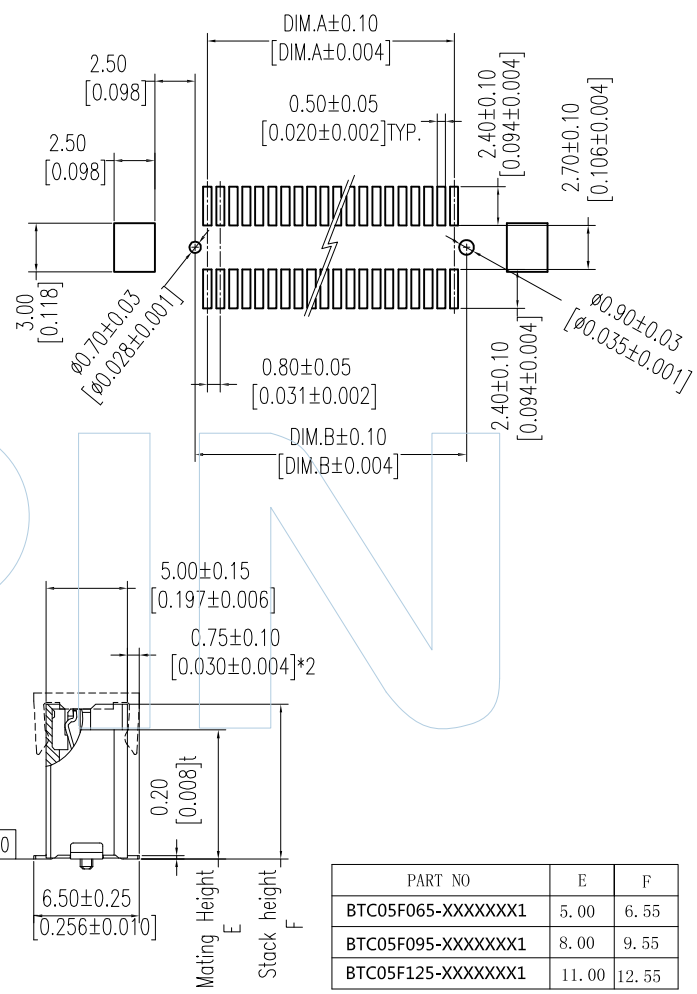
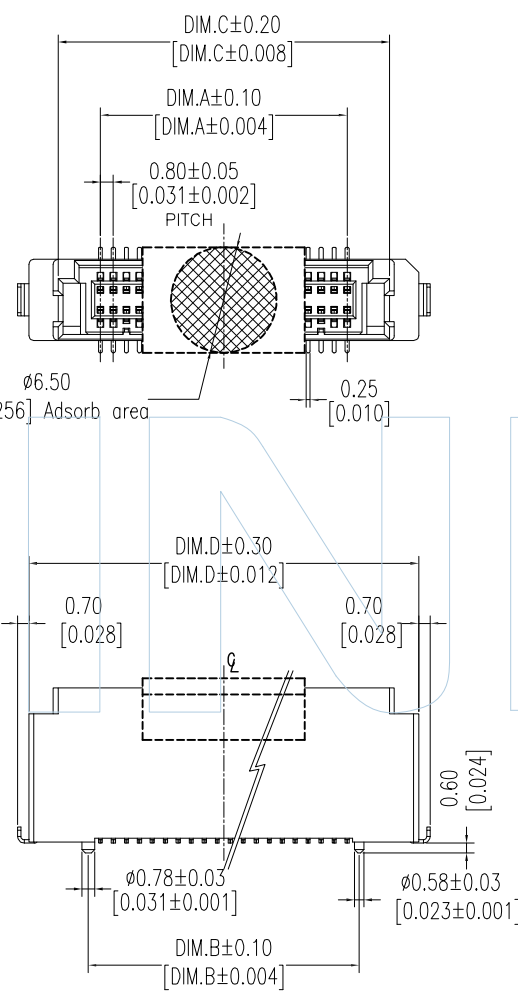




Recommended P. C. B Layout (Top Side)
(PCB BOARD TOLERANCE+0.05)



PART NUMBER CODING
BTC05 F XXX-XXX XX X X 1

F:Female
Housing High Female=H2
No.of Pins
Contact Plating
G1=3u'Gold
G2=5u'Gold
S1=3u'Gold/Tin
S2=5u'Gold/Tin
Insulator Material/Colour
C:Natural
Packing
T:Tube+CAP
R:Tape&Reel+CAP

NO. OF CONTACT	DIM. A	DIM. B	DIM. C	DIM. D
20	7.2	8.7	12.3	16
30	11.2	12.7	16.3	20
40	15.2	16.7	20.3	24
50	19.2	20.7	24.3	28
60	23.2	24.7	28.3	32
70	27.2	28.7	32.3	36
80	31.2	32.7	36.3	40
100	39.2	40.7	44.3	48
120	47.2	48.7	52.3	56
140	55.2	56.7	60.3	64

PART NO	E	F
BTC05F065-XXXXXXXX1	5.00	6.55
BTC05F095-XXXXXXXX1	8.00	9.55
BTC05F125-XXXXXXXX1	11.00	12.55



NOTES:
Current Rating:0.5AMP
Voltage Rating:200V AC/300V DC
Contact Resistance:70mΩ max
Insulation Resistance:100MΩ Min
Operation Temperature:-40°C to +85°C

Housing Material:LCP(UL94V-0)
Contact Material:Phosphor Bronze
Contact plating:Au over Ni Plating
Hold Down Material:Brass

UNLESS OTHERWISE SPECIFIED DIMENSIONS ARE IN METRIC
TOLERANCES ARE:
DECIMALS Angle
X.X:±0.40 ± 3°
X.XX:±0.25
X.XXX:±0.15
SCALE 1:1
UNIT MM
PROJ.
SHEET

A0	2015/06/25	NEW	Hua.ZT		Hua.ZT
REV	DATE	MODIFICATION DESCRIPTIO	DRAW	CHANGE	APPROVE

PART NO: BTC05FXXX-XXXXXXXX1
TITLE: 0.80mm B TO B "E" FEMALE SMT TYPE