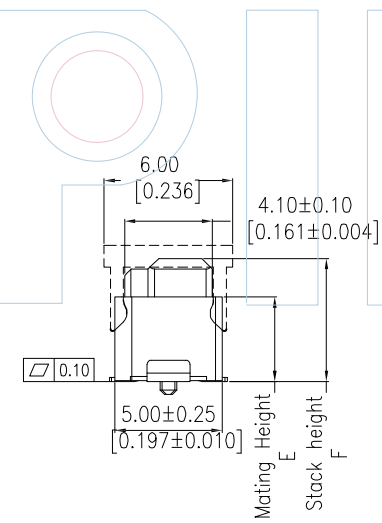
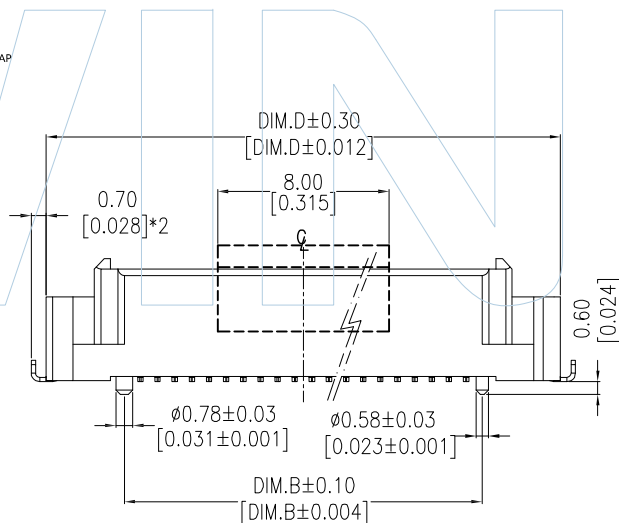


**PART NUMBER CODING**  
**BTC05 M XXX-XXX XX X X 1**

M: Male  
 Housing High  
 No. of Pins  
 Contact Plating  
 Insulator Material/Colour  
 Packing T: Tube  
 P: Tube+CAP  
 R: Tape&Reel+CAP

G1=3u'Gold  
 G2=5u'Gold  
 S1=3u'Gold/Tin  
 S2=5u'Gold/Tin  
 C:Natural

NO.OF CONTACT	DIM.A	DIM.B	DIM.C	DIM.D
20	7.2	8.7	10.6	16
30	11.2	12.7	14.6	20
40	15.2	16.7	18.6	24
50	19.2	20.7	22.6	28
60	23.2	24.7	26.6	32
70	27.2	28.7	30.6	36
80	31.2	32.7	34.6	40
100	39.2	40.7	42.6	48
120	47.2	48.7	50.6	56
140	55.2	56.7	58.6	64



PART NO	E	F
BTC05M047-XXXXXXXX1	3.00	4.75
BTC05M057-XXXXXXXX1	4.00	5.75
BTC05M077-XXXXXXXX1	6.00	7.75



Tel: +86 769 82581808 FAX: +86 769 81766192  
 E-Mail: winpin@win-pin.com Http: www.win-pin.com

PART NO: BTC05MXXX-XXXXXXXX1

TITLE: 0.80mm B TO B "E" MALE SMT TYPE

**NOTES:**  
 Current Rating: 0.5AMP  
 Voltage Rating: 200V AC/300V DC  
 Contact Resistance: 70mΩ max  
 Insulation Resistance: 100MΩ Min  
 Operation Temperature: -40°C to +85°C

Housing Material: LCP(UL94V-0)  
 Contact Material: Phosphor Bronze  
 Contact plating: Au over Ni Plating  
 Hold Down Material: Brass

UNLESS OTHERWISE SPECIFIED DIMENSIONS ARE IN METRIC TOLERANCES ARE:  
 DECIMALS Angle  
 X.X: ±0.40 ± 3°  
 X.XX: ±0.25  
 X.XXX: ±0.15

SCALE	1:1
UNIT	MM
PROJ.	
SHEET	

REV	DATE	MODIFICATION DESCRIPTION	DRAW	CHANGE	APPROVE
A0	2015/06/25	NEW	Hua.ZT		Hua.ZT