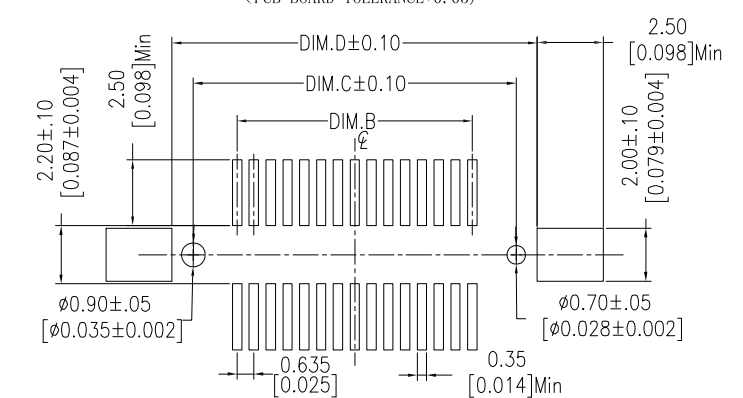
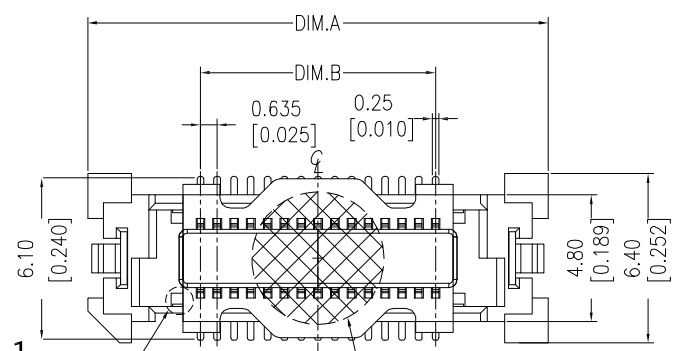


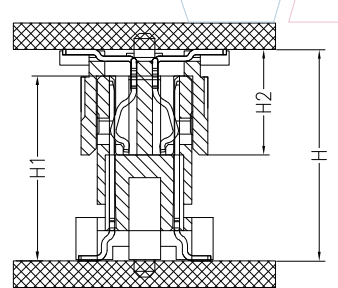
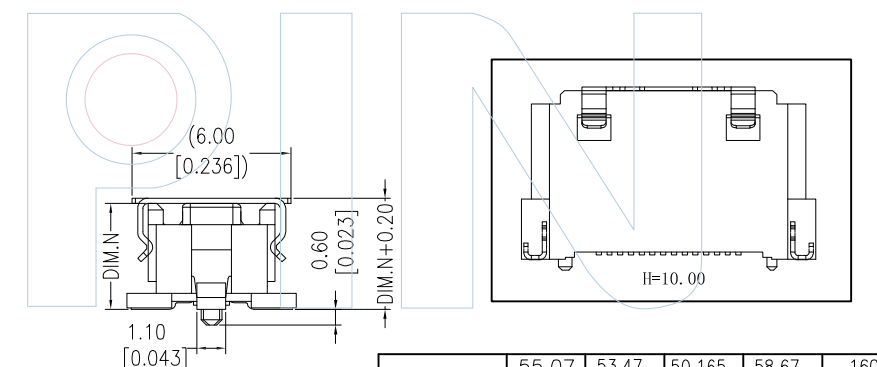
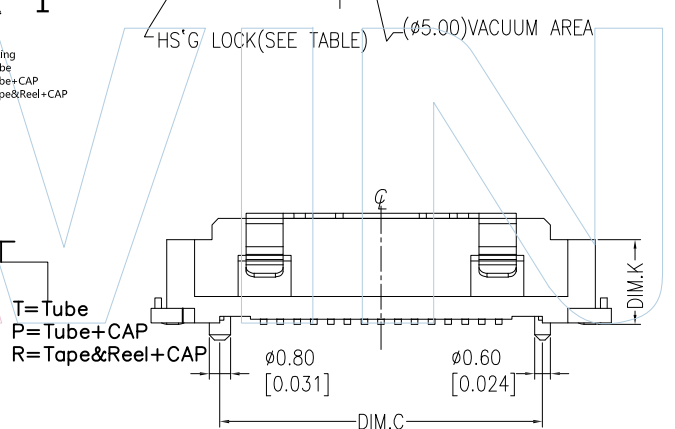


Recommended P.C.B Layout (Top Side)
(PCB BOARD TOLERANCE+0.05)



PART NUMBER CODING
BTB01 F XXX-XXX XX X X 1

F:Female Housing High No.of Pins Contact Plating Insulator Material/Colour Packing
G1=3u"Gold G2=5u"Gold S1=3u"Gold/Tin S2=5u"Gold/Tin
C:Natural
T:Tube P:Tube+CAP R:Tape&Reel+CAP



Assembly

PART NO.	DIM. N	DIM. K
BTB01F040-XXXXXXX1	4.00	3.20
BTB01F100-XXXXXXX1	10.00	9.20

ASS'Y HIGH(H)	PLUG(H1)	SOCKET(H2)	NO	55.07	53.47	50.165	58.67	160
				48.72	47.12	43.815	52.32	140
42.30	40.77	37.465	45.97	120				
36.02	34.42	31.115	39.62	100				
32.85	31.25	27.940	36.45	90				
29.67	28.07	24.765	33.27	80				
26.50	24.90	21.590	30.10	70				
23.32	21.72	18.415	26.92	60				
20.15	18.55	15.240	23.75	50				
16.97	15.37	12.065	20.57	40				
13.80	12.20	8.890	17.40	30				
10.62	9.02	5.715	14.22	20				
HS'G LOCK	DIM.D	DIM.C	DIM.B	DIM.A	PIN NO.			

WINPIN
Tel:+86 769 82581808 FAX:+86 769 81766192
E-Mail:winpin@win-pin.com Http://www.win-pin.com

NOTES:
Current Rating:1.0AMP
Voltage Rating:200V AC/300V DC
Contact Resistance:30mΩ max
Insulation Resistance:100MΩ Min
Operation Temperature:-40°C to +85°C

Housing Material:LCP(UL94V-0)
Contact Material:Phosphor Bronze
Contact plating:Au over Ni Plating
Fitting Nail Material:Brass. T=0.25mm
Fitting Nail plating:Sn Plating Over Ni Under Plating

UNLESS OTHERWISE SPECIFIED DIMENSIONS ARE IN METRIC TOLERANCES ARE:
DECIMALS Angle
X.X:±0.40 ± 3°
X.XX:±0.25
X.XXX:±0.15
SCALE 1:1
UNIT MM
PROJ.
SHEET

REV	DATE	MODIFICATION DESCRIPTIO	DRAW	CHANGE	APPROVE
A0	2015/06/25	NEW	Hua.ZT		Hua.ZT

PART NO: BTB01FXXX-XXXXXXX1
TITLE: 0.635mm "M" FEMALE SMT TYPE