



### PART NUMBER CODING

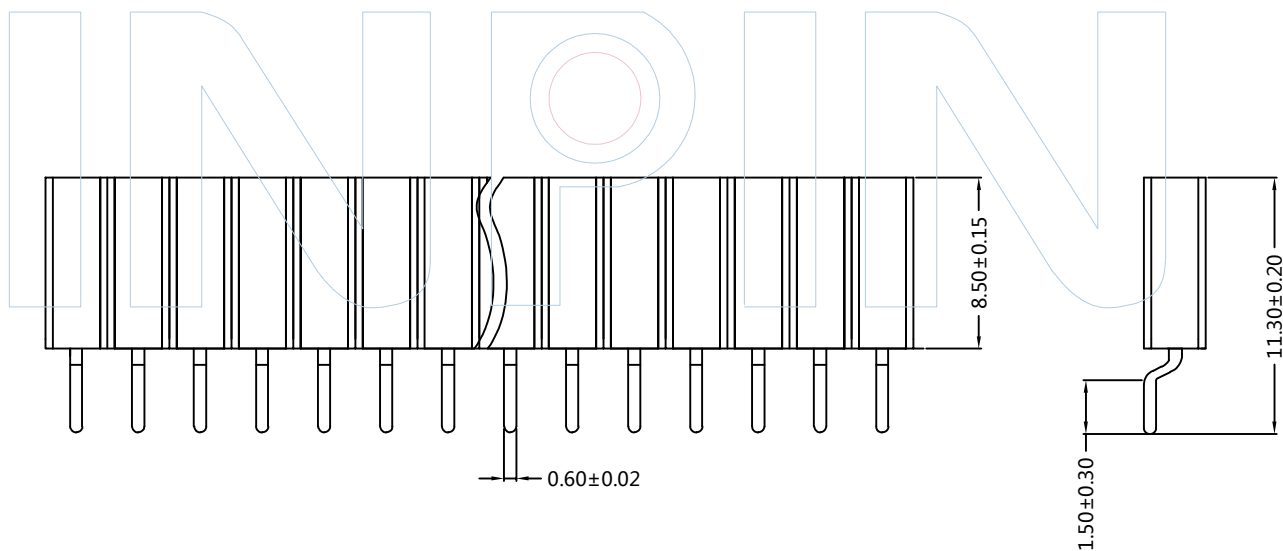
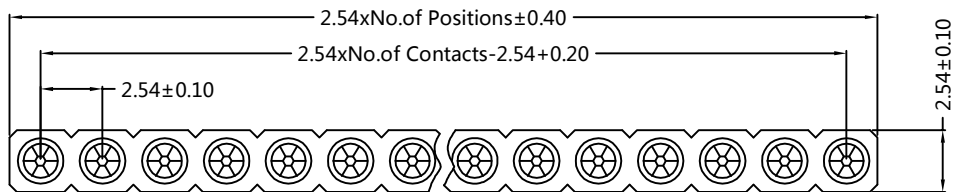
MFFZ85-1 XX XX X 115 X 1

No. of Pins  
02-40Pin

Contact Plating  
G0:Gold Flash  
G1:3U"Gold  
G2:5U"Gold  
G3:10U"Gold  
G4:15U"Gold  
G5:20U"Gold  
G6:30U"Gold  
S0:Gold Flash/Tin  
S1:3U"Gold/Tin  
S2:5U"Gold/Tin  
S3:10U"Gold/Tin  
S4:15U"Gold/Tin  
S5:20U"Gold/Tin  
S6:30U"Gold/Tin  
SN:Tin

Insulator  
Material/Colour  
A:PPS/Black

Packing  
A:Tray  
B:PE Bag  
T:Tube



Tel:+86 769 82581808  
E-Mail:sales@winpin.net

FAX:+86 769 81766192  
Http:www.winpin.net

PART NO: MFFZ85-1XXXXX115X1

TITLE:2.54mm Machined Female Header 90°SMT H=8.5 L=11.5mm

NOTES:  
Current Rating:3.0AMP  
Insulation Resistance:10MΩ Min  
Withstand Voltage:1000V AC/DC  
Mechanical Life:Min 500 cycles  
Connecting Pin:φ0.60mm  
Operation Temperature:-40°C to +105°C

Material  
Sleeve:Brass  
Contact Plating:Au or Sn over Ni  
Insulator Material:PPS(UL94V-0)

UNLESS OTHERWISE SPECIFIED DIMENSIONS ARE IN METRIC  
TOLERANCES ARE:  
DECIMALS Angle  
X.X:±0.40 ± 3°  
X.XX:±0.25  
X.XXX:±0.15

SCALE 1:1  
UNIT MM  
PROJ.   
SHEET

A0	2022/05/12	NEW	Nike.Tan	Andy	
REV	DATE	MODIFICATION DESCRIPTION	DRAW	CHANGE	APPROVE