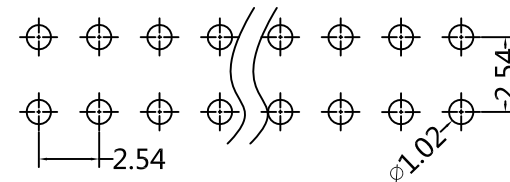




Recommended P.C.B Layout(Top Side)
(PCB BOARD TOLERANCE±0.05)

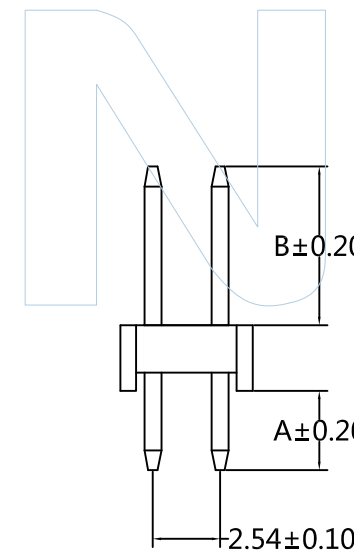
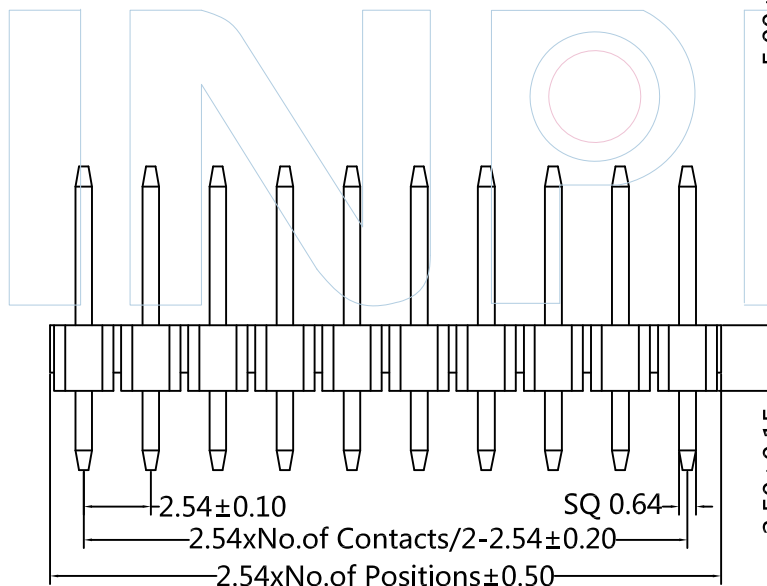
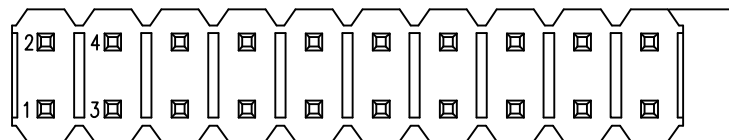


PART NUMBER CODING

PHFS25-12 XX XX X XXX X 1

- No.of Pins 01-40
- Contact Plating: G0:Gold Flash, G1:3U"Gold, G2:5U"Gold, G3:10U"Gold, G4:15U"Gold, G5:20U"Gold, G6:30U"Gold, S0:Gold Flash/Tin, S1:3U"Gold/Tin, S2:5U"Gold/Tin, S3:10U"Gold/Tin, S4:15U"Gold/Tin, S5:20U"Gold/Tin, S6:30U"Gold/Tin, SN:Tin
- Insulator Material/Colour: A:PBT/Black, B:PA9T/Black, C:PA6T/Black
- Pin length L=A+B+2.5
- Packing B=PE Bag, T=Tube

| Dimension antitheses list | | |
|---------------------------|------|------|
| ITEM | A | B |
| Standard | 3.00 | 6.00 |
| Alternate | | |



Tel:+86 769 82581808 FAX:+86 769 81766192
E-Mail:sales@winpin.net Http:www.winpin.net

NOTES:
Current Rating:3.0AMP
Withstand Voltage:500V AC/DC
Contact Resistance:20mΩ Max
Insulation Resistance:1000MΩ Min
Operation Temperature:-40°C to +105°C

Contact Material: Brass
Contact Plating: Au or Sn over Ni
Insulator Material: PBT/PA9T/PA6T+30%GF (UL94V-0)

UNLESS OTHERWISE SPECIFIED DIMENSIONS ARE IN METRIC
TOLERANCES ARE:
DECIMALS Angle
X.X:±0.40 ± 3°
X.XX:±0.25
X.XXX:±0.15

PART NO: PHFS25-12XXXXXXXXX1

TITLE: PH 2.54mm Dual ROW 180° H=2.5mm

| SCALE | 1:1 | A0 | 2015/05/25 | NEW | Huan.Tan | | Huan.Tan |
|-------|-----|-----|------------|-------------------------|----------|--------|----------|
| UNIT | MM | REV | DATE | MODIFICATION DESCRIPTIO | DRAW | CHANGE | APPROVE |
| PROJ. | | | | | | | |
| SHEET | | | | | | | |