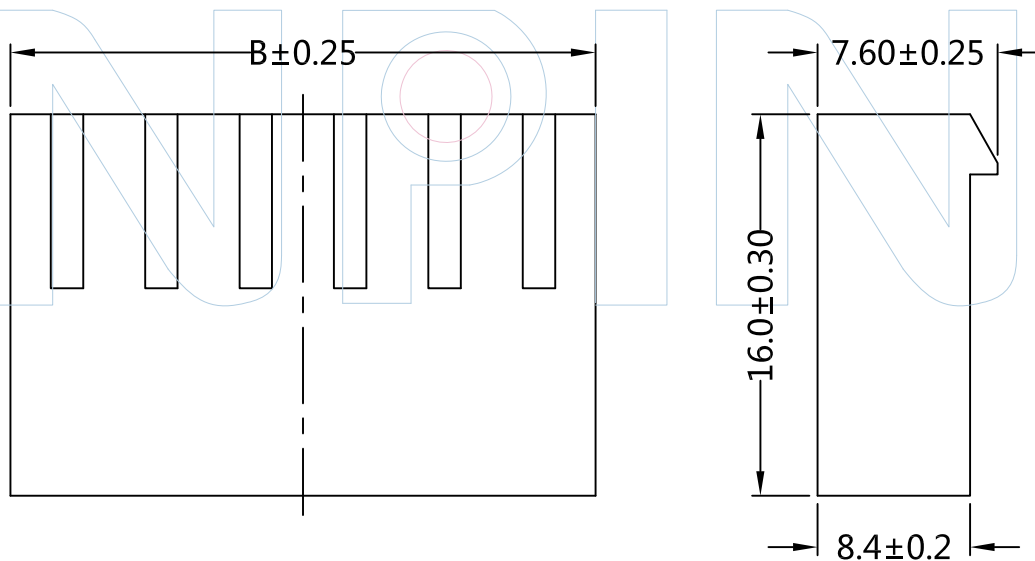
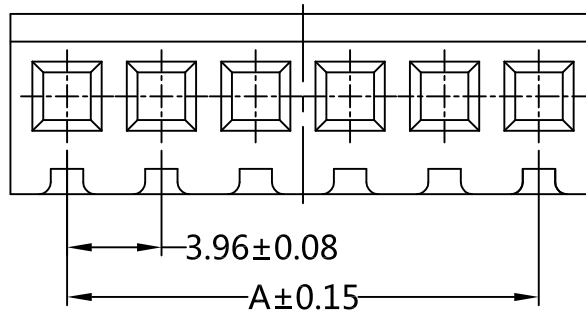




PART NUMBER CODING
H39601-1 XX X 1

No. of pins
02-24P
 Color
W=White



Pins	Dimensions	
	A	B
02	3.96	8.52
03	7.92	12.48
04	11.88	16.44
05	15.84	20.40
06	19.80	24.36
07	23.76	28.32
08	27.72	32.28
09	31.68	36.24
10	35.64	40.20
11	39.60	44.16
12	43.56	48.12
13	47.52	52.08
14	51.48	56.04
15	55.44	60.00
16	59.40	63.96



Tel: +86 769 82581808 FAX: +86 769 81766192
 E-Mail: sales@winpin.net Http: www.winpin.net

PART NO: H39601-1XXX1

TITLE: MX 3.96mm Housing

NOTES:
 Current Rating:7.0A AC/DC
 Voltage Rating:250V AC/DC
 Withstand Voltage:1500V AC/Minute
 Contact Resistance:10mΩ Max
 Insulation Resistance:1000MΩ Min
 Operation Temperature:-25°C~+85°C
 Applicable Terminal:T39601-PXX1
 Applicable Wafer:W39601-1XXSXXXXX

MATERIAL:
 Insulator:PA66(UL94V-2)

UNLESS OTHERWISE SPECIFIED DIMENSIONS ARE IN METRIC
 TOLERANCES ARE:
 DECIMALS Angle
 X.X:±0.40 ± 3°
 X.XX:±0.25
 X.XXX:±0.15

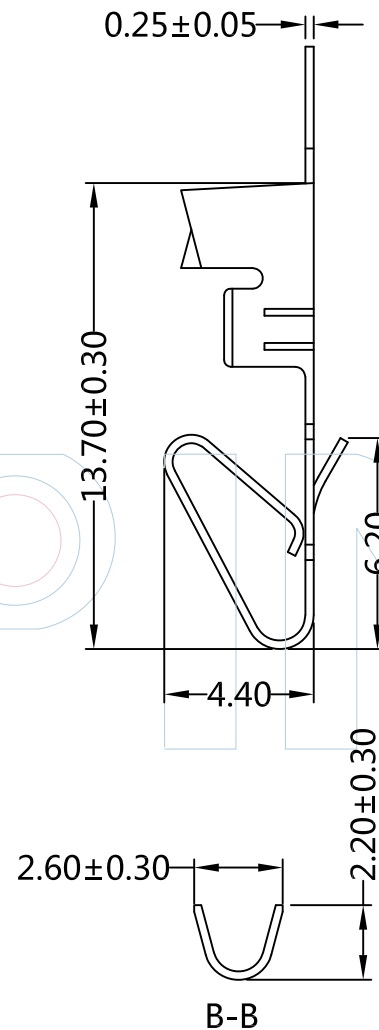
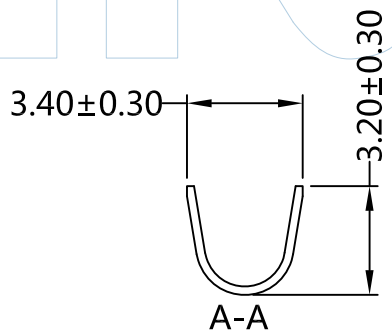
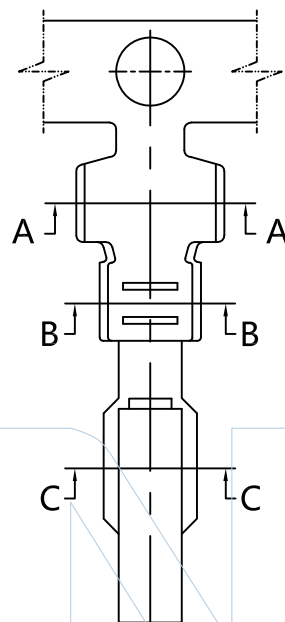
SCALE	1:1
UNIT	MM
PROJ.	
SHEET	

A0	2015/06/25	NEW	ChaoLong.Yuan		ChaoLong.Yuan
REV	DATE	MODIFICATION DESCRIPTIO	DRAW	CHANGE	APPROVE



PART NUMBER CODING
T39601-P XX 1

Contact plating
 SN: Tin



Tel: +86 769 82581808 FAX: +86 769 81766192
 E-Mail: sales@winpin.net Http: www.winpin.net

PART NO: T39601-XXX1

TITLE: MX 3.96mm Terminal

NOTES:
 Current Rating: 7.0A AC/DC
 Voltage Rating: 250V AC/DC
 Withstand Voltage: 1500V AC/Minute
 Contact Resistance: 10mΩ Max
 Insulation Resistance: 1000MΩ Min
 Operation Temperature: -25°C ~ +85°C
 Applicable Wire: AWG#18-#22
 Applicable Housing: H39601-1XXX1
 Applicable Wafer: W39601-1XXSXXXXX

MATERIAL:
 Contact: Brass
 Contact Plating: Sn over Ni
 Insulator: PA66(UL94V-2)

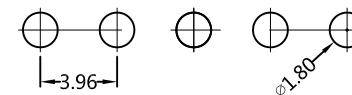
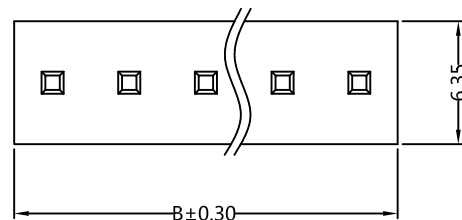
UNLESS OTHERWISE SPECIFIED DIMENSIONS ARE IN METRIC TOLERANCES ARE:
 DECIMALS Angle
 X.X: ±0.40 ± 3°
 X.XX: ±0.25
 X.XXX: ±0.15

SCALE	1:1
UNIT	MM
PROJ.	
SHEET	

A0	2015/06/25	NEW	ChaoLong.Yuan		ChaoLong.Yuan
REV	DATE	MODIFICATION DESCRIPTION	DRAW	CHANGE	APPROVE



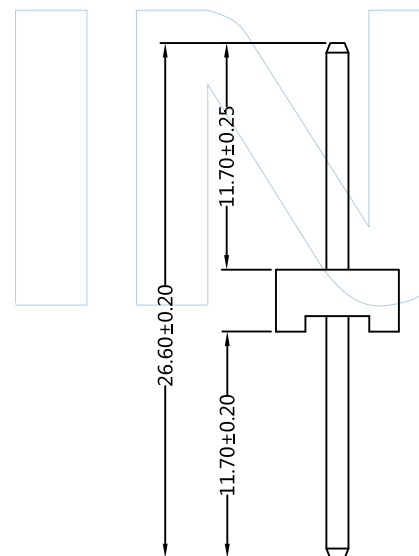
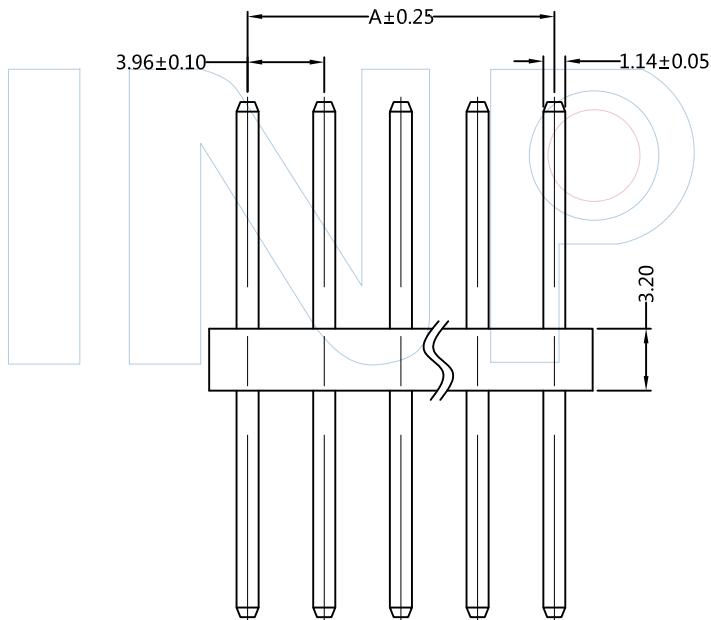
Recommended P.C.B Layout(Top Side)
(PCB BOARD TOLERANCE+0.05)



PART NUMBER CODING

W39602-1 XX S XX X X 2

No. of pins: 02-20P
Contact plating: G0:Gold Flash SN:Tin
Color: W=White
Packing: B=PE Bag



Pins	Dimensions		Pins	Dimensions	
	A	B		A	B
02	3.96	7.92	12	43.56	47.52
03	7.92	11.88	13	47.52	51.48
04	11.88	15.84	14	51.48	55.44
05	15.84	19.80	15	55.44	59.40
06	19.80	23.76	16	59.40	63.36
07	23.76	27.72	17	63.36	67.32
08	27.72	31.68	18	67.32	71.28
09	31.68	35.64	19	71.28	75.24
10	35.64	39.60	20	75.24	79.20
11	39.60	43.56			



Tel: +86 769 82581808 FAX: +86 769 81766192
E-Mail: sales@winpin.net Http: www.winpin.net

Note:
Current Rating: 7A AC/DC
Voltage Rating: 250V AC/DC
Withstanding Voltage: 1500V AC/Minute
Contact resistance: 20mΩ Max
Insulation resistance: 1000MΩ Min
Operation Temperature: -25°C ~ +85°C

MATERIAL:
Contact: Brass
Contact Plating: Sn over Ni
Insulator: PA66, (UL94V-2)

UNLESS OTHERWISE SPECIFIED DIMENSIONS ARE IN METRIC TOLERANCES ARE:
DECIMALS Angle
X.X: ±0.40 ± 3°
X.XX: ±0.25
X.XXX: ±0.15

PART NO: W39602-1XXSXXX2

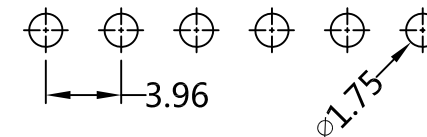
TITLE: MX 3.96mm Wafer 180° DIP

SCALE	1:1
UNIT	MM
PROJ.	
SHEET	

A0	2022/06/24	NEW	GF.He		Andy
REV	DATE	MODIFICATION DESCRIPTION	DRAW	CHANGE	APPROVE

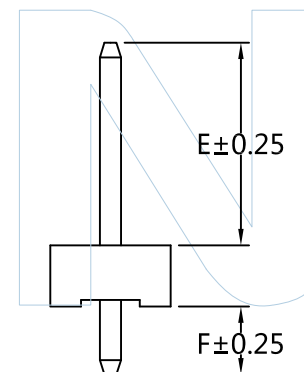
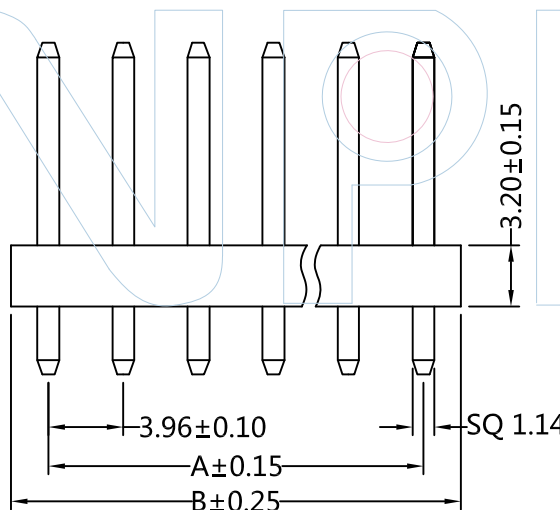
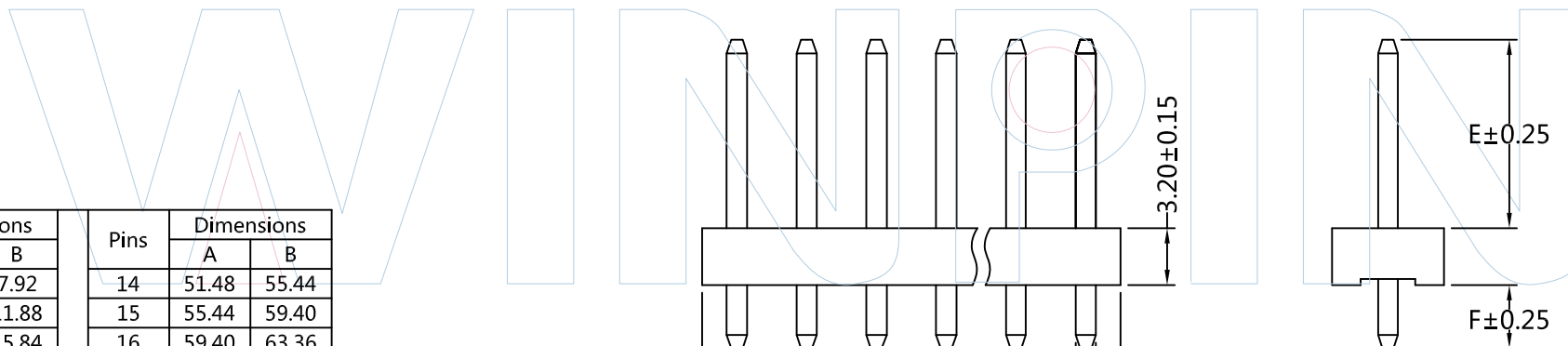
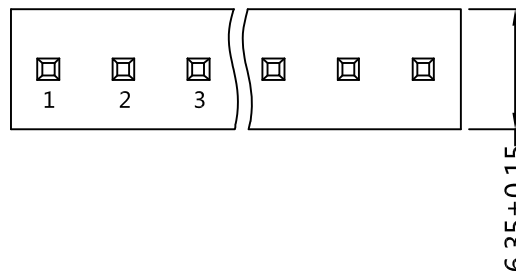


Recommended P.C.B Layout(Top Side)
(PCB BOARD TOLERANCE±0.05)



PART NUMBER CODING
W39602-1 XX S XX X X 1

No.of pins Contact plating Color Packing
02-24P G0:Gold Flash W=White B=PE Bag
SN:Tin



Pins	Dimensions		Pins	Dimensions	
	A	B		A	B
02	3.96	7.92	14	51.48	55.44
03	7.92	11.88	15	55.44	59.40
04	11.88	15.84	16	59.40	63.36
05	15.84	19.80	17	63.36	67.32
06	19.80	23.76	18	67.32	71.28
07	23.76	27.72	19	71.28	75.24
08	27.72	31.68	20	75.24	79.20
09	31.68	35.64	21	79.20	83.16
10	35.64	39.60	22	83.16	87.12
11	39.60	43.56	23	87.12	91.08
12	43.56	47.52	24	91.08	95.04
13	47.52	51.48			

Dimensions Antitheses List		
ITEM	E	F
Standard	3.0	6.0
Alternate		

WINPIN
 Tel:+86 769 82581808 FAX:+86 769 81766192
 E-Mail:sales@winpin.net Http:www.winpin.net

PART NO: W39602-1XXSXXX1
 TITLE: MX 3.96mm Wafer 180° DIP

NOTES:
 Current Rating:7.0A AC/DC
 Voltage Rating:250V AC/DC
 Withstand Voltage:1000V AC/Minute
 Contact Resistance:20mΩ Max
 Insulation Resistance:1000MΩ Min
 Operation Temperature:-25°C~+85°C

MATERIAL:
 Contact:Brass
 Contact Plating:Au or Sn over Ni
 Insulator:PA66,(UL94V-2)

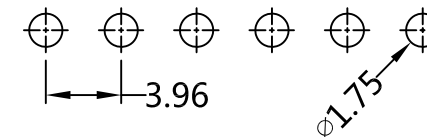
UNLESS OTHERWISE SPECIFIED DIMENSIONS ARE IN METRIC
 TOLERANCES ARE:
 DECIMALS Angle
 X.X:±0.40 ± 3°
 X.XX:±0.25
 X.XXX:±0.15

SCALE 1:1
 UNIT MM
 PROJ.
 SHEET

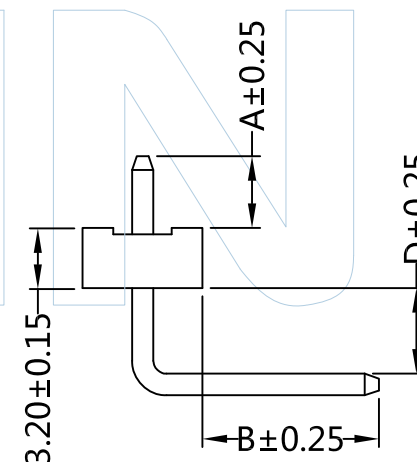
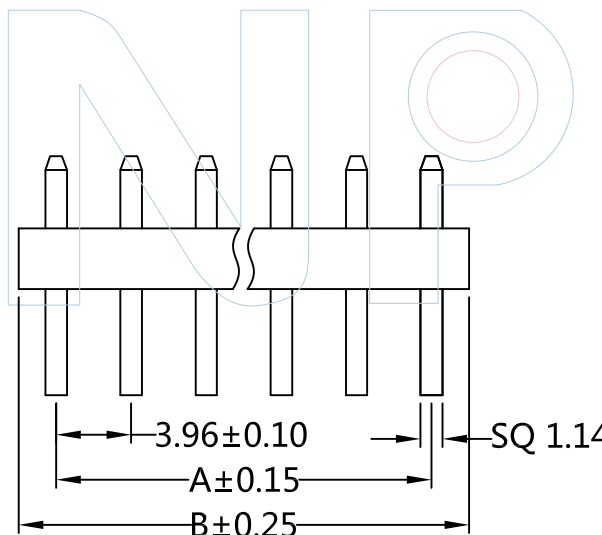
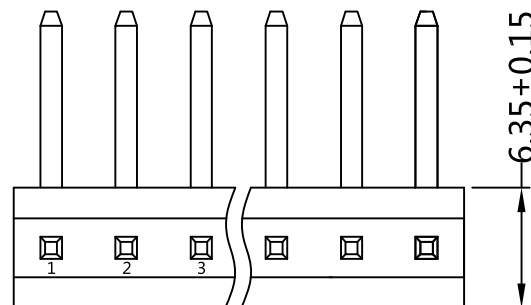
A0	2015/06/25	NEW	Hua.ZT		Hua.ZT
REV	DATE	MODIFICATION DESCRIPTIO	DRAW	CHANGE	APPROVE



Recommended P.C.B Layout(Top Side)
(PCB BOARD TOLERANCE±0.05)



PART NUMBER CODING
W39602-1 XX R XX X X 1
 No. of pins: 02-24P
 Contact plating SN: Tin
 Color W=White
 Packing B=PE Bag



Pins	Dimensions		Pins	Dimensions	
	A	B		A	B
02	3.96	7.92	14	51.48	55.44
03	7.92	11.88	15	55.44	59.40
04	11.88	15.84	16	59.40	63.36
05	15.84	19.80	17	63.36	67.32
06	19.80	23.76	18	67.32	71.28
07	23.76	27.72	19	71.28	75.24
08	27.72	31.68	20	75.24	79.20
09	31.68	35.64	21	79.20	83.16
10	35.64	39.60	22	83.16	87.12
11	39.60	43.56	23	87.12	91.08
12	43.56	47.52	24	91.08	95.04
13	47.52	51.48			



Tel: +86 769 82581808 FAX: +86 769 81766192
 E-Mail: sales@winpin.net Http: www.winpin.net

PART NO: W39602-1XXRXXX1

TITLE: MX 3.96mm Wafer 90° DIP

NOTES:
 Current Rating: 7.0A AC/DC
 Voltage Rating: 250V AC/DC
 Withstand Voltage: 1000V AC/Minute
 Contact Resistance: 20mΩ Max
 Insulation Resistance: 1000MΩ Min
 Operation Temperature: -25°C ~ +85°C

MATERIAL:
 Contact: Brass
 Contact Plating: Sn over Ni
 Insulator: PA66(UL94V-2)

UNLESS OTHERWISE SPECIFIED DIMENSIONS ARE IN METRIC
 TOLERANCES ARE:
 DECIMALS Angle
 X.X: ±0.40 ± 3°
 X.XX: ±0.25
 X.XXX: ±0.15

SCALE 1:1
 UNIT MM
 PROJ.
 SHEET

A0	2015/06/25	NEW	Hua.ZT		Hua.ZT
REV	DATE	MODIFICATION DESCRIPTION	DRAW	CHANGE	APPROVE