

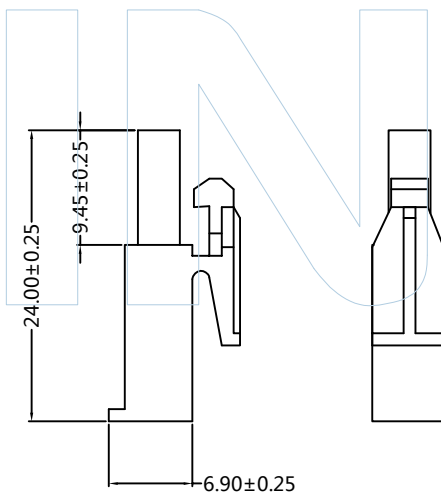
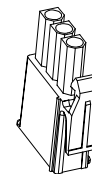
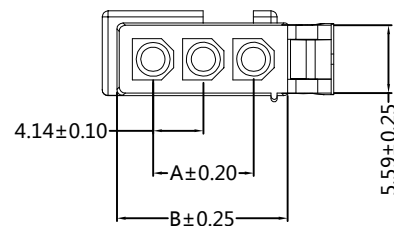
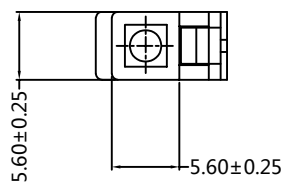


PART NUMBER CODING

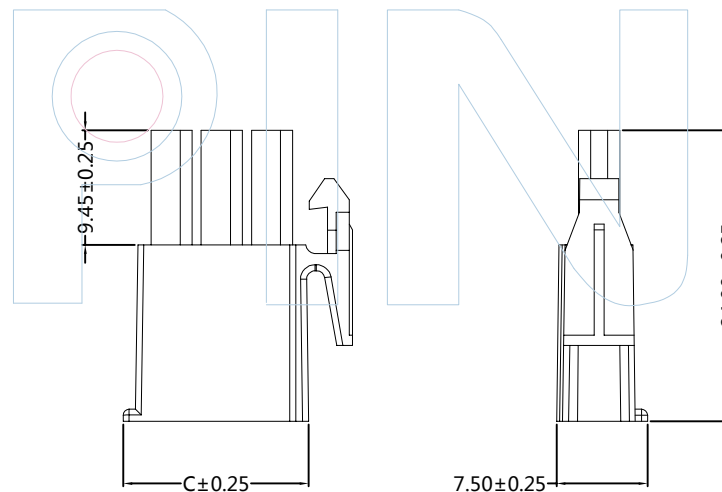
H41401-1 XX X 2

No.of pins  
01-03P

Color  
W=White



1P



2P~3P

Circuits	Dimensions(mm)		
	A	B	C
01P	—	5.76	7.00
02P	4.14	9.90	11.14
03P	8.28	14.04	15.28



Tel: +86 769 82581808 FAX: +86 769 81766192  
E-Mail: sales@winpin.net Http: www.winpin.net

PART NO: H41401-1XXX2

TITLE: 4.14mm Housing

NOTES:  
Current Rating:9.0AMP  
Voltage Rating:600V AC/DC  
Withstand Voltage:1500V AC/DC  
Contact Resistance:20mΩ Max  
Insulation Resistance:1000MΩ Min  
Operation Temperature:-40°C to +105°C  
Applicable Housing:T41401-XXX2

Material:  
Material: Nylon 66,UL94V-2

UNLESS OTHERWISE SPECIFIED DIMENSIONS ARE IN METRIC  
TOLERANCES ARE:  
DECIMALS Angle  
X.X:±0.40 ± 3°  
X.XX:±0.25  
X.XXX:±0.15

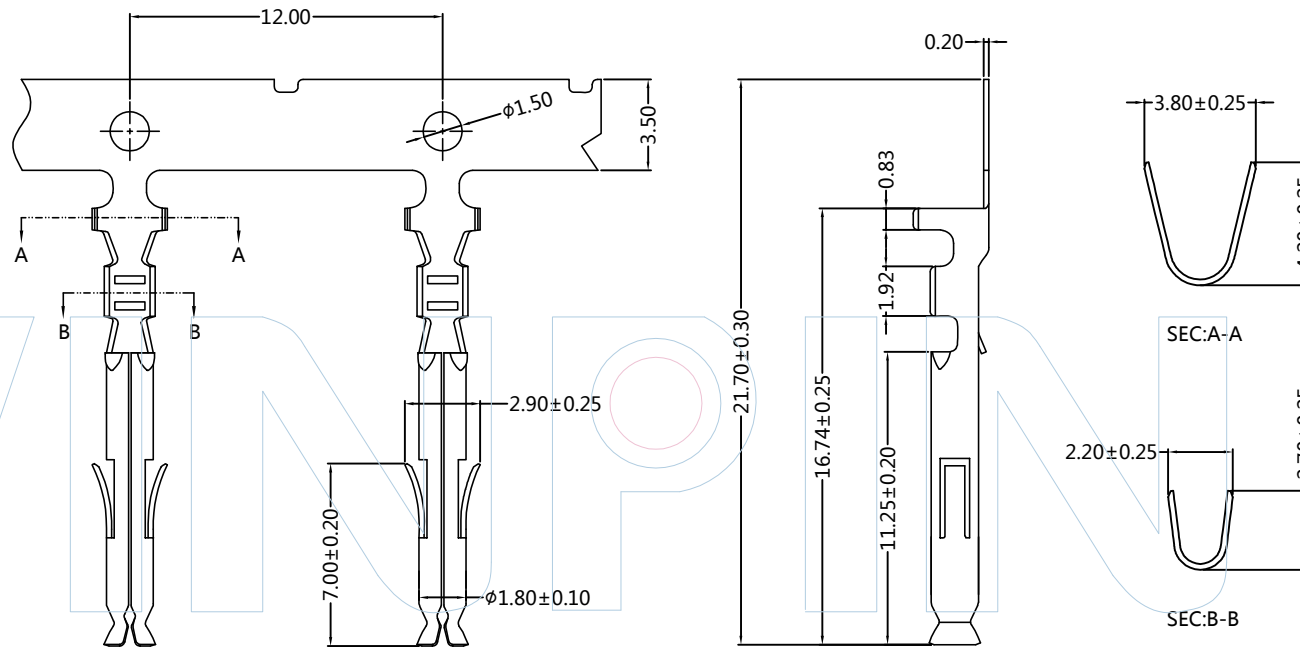
SCALE	1:1
UNIT	MM
PROJ.	
SHEET	

A0	2016/11/25	NEW	Hua.ZT		Hua.ZT
REV	DATE	MODIFICATION DESCRIPTIO	DRAW	CHANGE	APPROVE



# PART NUMBER CODING T41401-B XX 2

- Contact plating  
 G0:Gold Flash  
 G1:3U"Gold  
 G2:5U"Gold  
 G3:10U"Gold  
 G4:15U"Gold  
 G5:20U"Gold  
 G6:30U"Gold  
 S0:Gold Flash/Tin  
 S1:3U"Gold/Tin  
 S2:5U"Gold/Tin  
 S3:10U"Gold/Tin  
 S4:15U"Gold/Tin  
 S6:30U"Gold/Tin  
 SN:Tin



Wire Range	Insultion O.D	Material	Finsh	Qty/Reel
AWG#18-#22	2.40mm(max)	Brass	Tin over Nickel	4000 pcs
AWG#18-#22	2.40mm(max)	Brass	Gold over Nickel	4000 pcs



Tel:+86 769 82581808 FAX:+86 769 81766192  
 E-Mail:sales@winpin.net Http:www.winpin.net

PART NO: T41401-BXX2

TITLE: 4.14mm Terminal

**NOTES:**  
 Current Rating:9.0AMP  
 Voltage Rating:600V AC/DC  
 Withstand Voltage:1500V AC/DC  
 Contact Resistance:20m $\Omega$  Max  
 Insulation Resistance:1000M $\Omega$  Min  
 Operation Temperature:-40°C to +105°C  
 Applicable Wires:AWG22~26#  
 Applicable Housing:H41401-1XXXX

Material:  
 Contact Material:Brass

UNLESS OTHERWISE SPECIFIED DIMENSIONS ARE IN METRIC  
 TOLERANCES ARE:  
 DECIMALS Angle  
 X.X:  $\pm 0.40$   $\pm 3^\circ$   
 X.XX:  $\pm 0.25$   
 X.XXX:  $\pm 0.15$

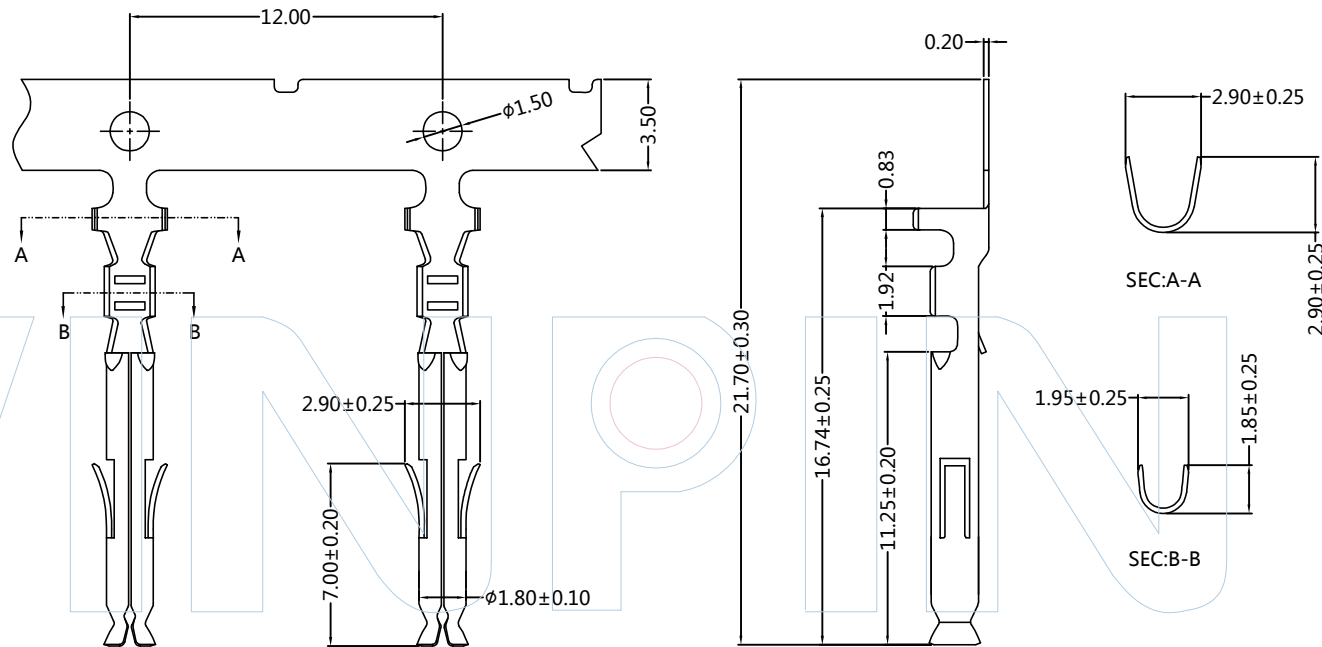
SCALE 1:1  
 UNIT MM  
 PROJ.   
 SHEET

SCALE	UNIT	PROJ.	SHEET	REV	DATE	MODIFICATION DESCRIPTIO	DRAW	CHANGE	APPROVE
1:1	MM			A0	2015/06/25	NEW	Hua.ZT		Hua.ZT



# PART NUMBER CODING T41401-B XX 1

- Contact plating  
 G0:Gold Flash  
 G1:3U"Gold  
 G2:5U"Gold  
 G3:10U"Gold  
 G4:15U"Gold  
 G5:20U"Gold  
 G6:30U"Gold  
 S0:Gold Flash/Tin  
 S1:3U"Gold/Tin  
 S2:5U"Gold/Tin  
 S3:10U"Gold/Tin  
 S4:15U"Gold/Tin  
 S6:30U"Gold/Tin  
 SN:Tin



Wire Range	Insultion O.D	Material	Finsh	Qty/Reel
AWG#22-#26	1.75mm(max)	Brass	Tin over Nickel	4000 pcs
AWG#22-#26	1.75mm(max)	Brass	Gold over Nickel	4000 pcs



Tel:+86 769 82581808 FAX:+86 769 81766192  
 E-Mail:sales@winpin.net Http:www.winpin.net

PART NO: T41401-BXX1

TITLE: 4.14mm Terminal

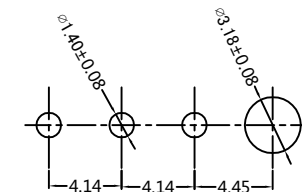
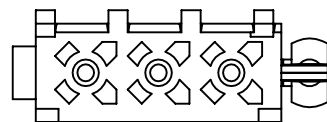
**NOTES:**  
 Current Rating:9.0AMP  
 Voltage Rating:600V AC/DC  
 Withstand Voltage:1500V AC/DC  
 Contact Resistance:20mΩ Max  
 Insulation Resistance:1000MΩ Min  
 Operation Temperature:-40°C to +105°C  
 Applicable Wires:AWG22~26#  
 Applicable Housing:H41401-1XXXX

Material:  
 Contact Material:Brass

UNLESS OTHERWISE SPECIFIED DIMENSIONS ARE IN METRIC  
 TOLERANCES ARE:  
 DECIMALS Angle  
 X.X:±0.40 ± 3°  
 X.XX:±0.25  
 X.XXX:±0.15

SCALE	1:1
UNIT	MM
PROJ.	
SHEET	

REV	DATE	MODIFICATION DESCRIPTIO	DRAW	CHANGE	APPROVE
A0	2015/06/25	NEW	Hua.ZT		Hua.ZT



### PART NUMBER CODING

W41401-1 XX S XX X X 1

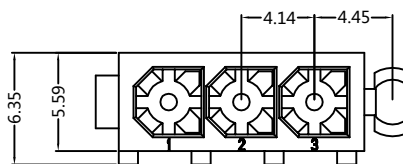
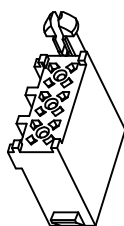
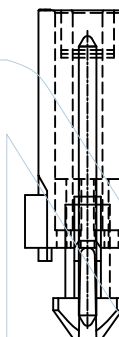
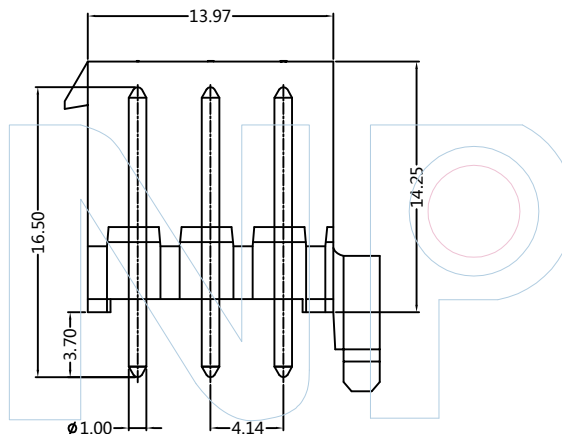
No. of pins  
02--03P

Contact plating  
G0:Gold Flash  
G1:3U\*Gold  
G2:5U\*Gold  
G3:10U\*Gold  
G4:15U\*Gold  
G5:20U\*Gold  
G6:30U\*Gold  
S0:Gold Flash/Tin  
S1:3U\*Gold/Tin  
S2:5U\*Gold/Tin  
S3:10U\*Gold/Tin  
S4:15U\*Gold/Tin  
S6:30U\*Gold/Tin  
SN:Tin

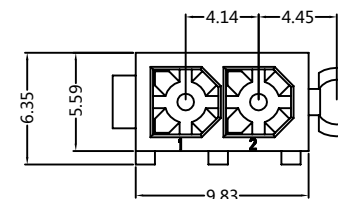
Color  
W=White

Packing  
B=PE Bag  
T=Tube

RECOMMENDED LAYOUT FOR 1.57 THICK BOARD  
TOLERANCES NON-ACCUMULATIVE



3P



2P



Tel: +86 769 82581808  
E-Mail: sales@winpin.net

FAX: +86 769 81766192  
Http: www.winpin.net

NOTES:  
Current Rating:9.0AMP  
Voltage Rating:600V AC/DC  
Withstand Voltage:1500V AC/DC  
Contact Resistance:20mΩ Max  
Insulation Resistance:1000MΩ Min  
Operation Temperature:-40°C to +105°C  
Applicable Terminal:T41401-BXX1  
Applicable Housing:H41401-1XXXX

Material:  
Contact Material:Brass  
Contact Plating:Au or Sn over Ni  
Housing Material:PA66,UL94V-0

UNLESS OTHERWISE SPECIFIED DIMENSIONS ARE IN METRIC  
TOLERANCES ARE:  
DECIMALS Angle  
X.X:±0.40 ± 3°  
X.XX:±0.25  
X.XXX:±0.15

PART NO: W41401-1XXSXXXX1

TITLE: 4.14mm Single Row 180° DIP Wafer

SCALE	1:1	A0	2015/06/25	NEW	GF.He	Andy
UNIT	MM	REV	DATE	MODIFICATION DESCRIPTIO	DRAW	CHANGE
PROJ.						
SHEET						



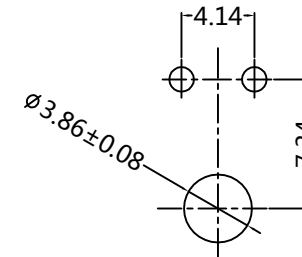
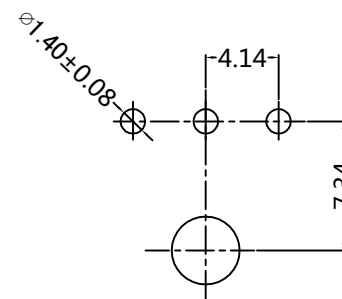
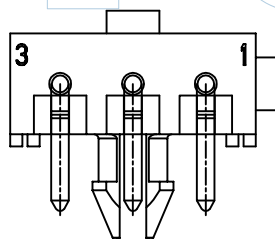
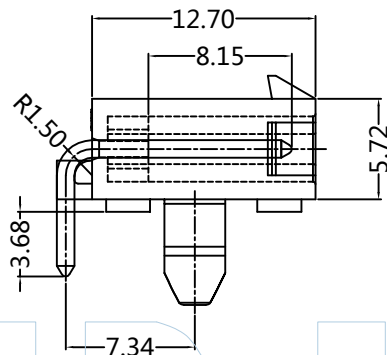
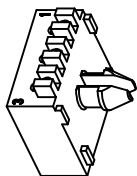
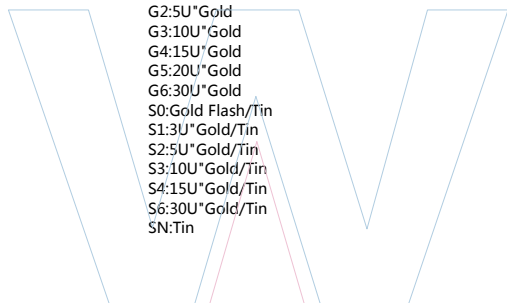
**PART NUMBER CODING**  
**W41401-1 XX R XX X X 1**

No. of pins  
02~03P

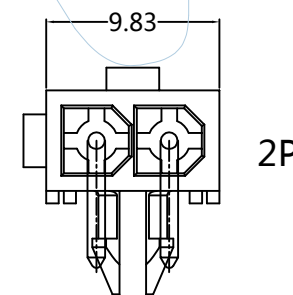
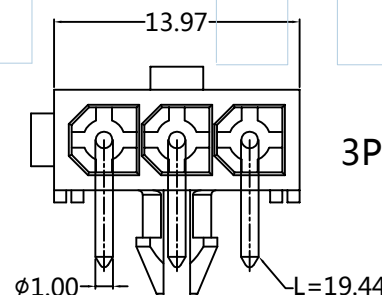
Contact plating  
 G0:Gold Flash  
 G1:3U\*Gold  
 G2:5U\*Gold  
 G3:10U\*Gold  
 G4:15U\*Gold  
 G5:20U\*Gold  
 G6:30U\*Gold  
 S0:Gold Flash/Tin  
 S1:3U\*Gold/Tin  
 S2:5U\*Gold/Tin  
 S3:10U\*Gold/Tin  
 S4:15U\*Gold/Tin  
 S6:30U\*Gold/Tin  
 SN:Tin

Color  
W=White

Packing  
 B=PE Bag  
 T=Tube



**RECOMMENDED MOUNTING HOLE PATTERN FOR 1.57 THICK P.C. BOARD**



Tel: +86 769 82581808 FAX: +86 769 81766192  
 E-Mail: sales@winpin.net Http: www.winpin.net

PART NO: W41401-1XXRXXXX1

TITLE: 4.14mm Single Row 90° DIP Wafer

**NOTES:**  
 Current Rating:9.0AMP  
 Voltage Rating:600V AC/DC  
 Withstand Voltage:1500V AC/DC  
 Contact Resistance:20mΩ Max  
 Insulation Resistance:1000MΩ Min  
 Operation Temperature:-40°C to +105°C  
 Applicable Terminal:T41401-BXX1  
 Applicable Housing:H41401-1XXXX

**Material:**  
 Contact Material:Brass  
 Contact Plating:Au or Sn over Ni  
 Housing Material:PA66,UL94V-0

UNLESS OTHERWISE SPECIFIED DIMENSIONS ARE IN METRIC  
 TOLERANCES ARE:  
 DECIMALS Angle  
 X.X:±0.40 ± 3°  
 X.XX:±0.25  
 X.XXX:±0.15

SCALE	1:1	A0	2015/06/25	NEW	GF.He	Andy
UNIT	MM	REV	DATE	MODIFICATION DESCRIPTIO	DRAW	CHANGE
PROJ.						
SHEET						