

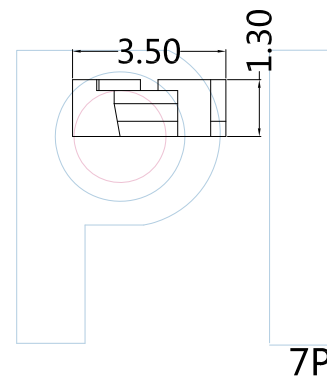
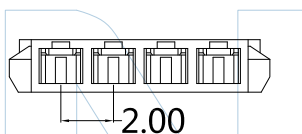
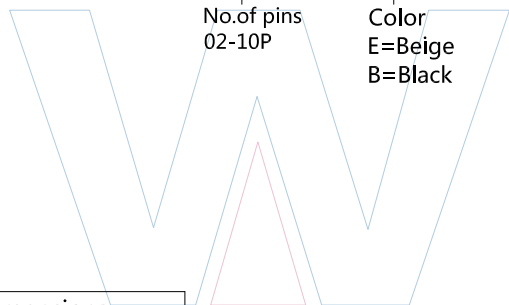
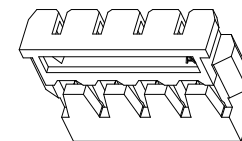
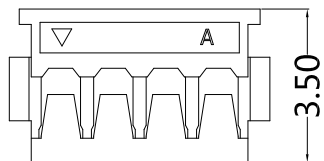


PART NUMBER CODING H12001-1 XX X 1

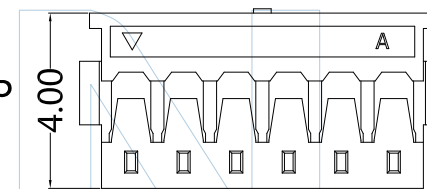
No. of pins
02-10P

Color
E=Beige
B=Black

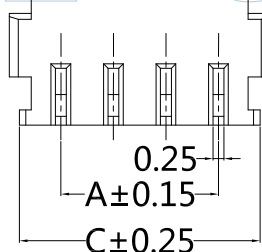
2~5P



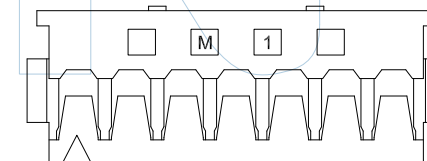
6P



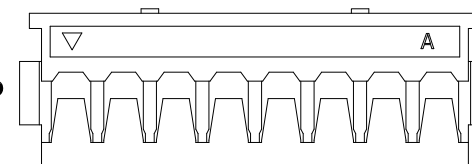
$B \pm 0.20$



7P



8P~10P



Pins	Dimensions		
	A	B	C
02	1.20	2.60	3.10
03	2.40	3.80	4.30
04	3.60	5.00	5.50
05	4.80	6.20	6.70
06	6.00	7.40	7.90
07	7.20	8.60	9.10
08	8.40	9.80	10.30
09	9.60	11.00	11.50
10	10.80	12.20	12.70



Tel: +86 769 82581808 FAX: +86 769 81766192
E-Mail: sales@winpin.net Http: www.winpin.net

PART NO: H12001-1XXX1

TITLE: 1.20mm Housing

NOTES:

Current Rating: 2.0AMP
Voltage rating: 50V AC/ DC
Withstand Voltage: 500V AC/Minute
Contact Resistance: 20mΩ Max
Insulation Resistance: 100MΩ Min
Operation Temperature: -25°C ~ +85°C
Applicable Terminal: T12001-PXX1
Applicable Wafer: W12001-1XXZXXXX1

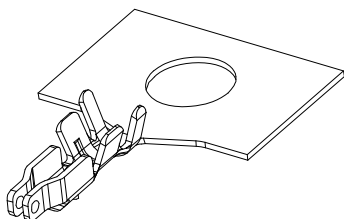
MATERIAL:

Insulator Material: LCP(UL94V-0)

UNLESS OTHERWISE SPECIFIED DIMENSIONS ARE IN METRIC TOLERANCES ARE:
DECIMALS Angle
X.X: ±0.40 ± 3°
X.XX: ±0.25
X.XXX: ±0.15

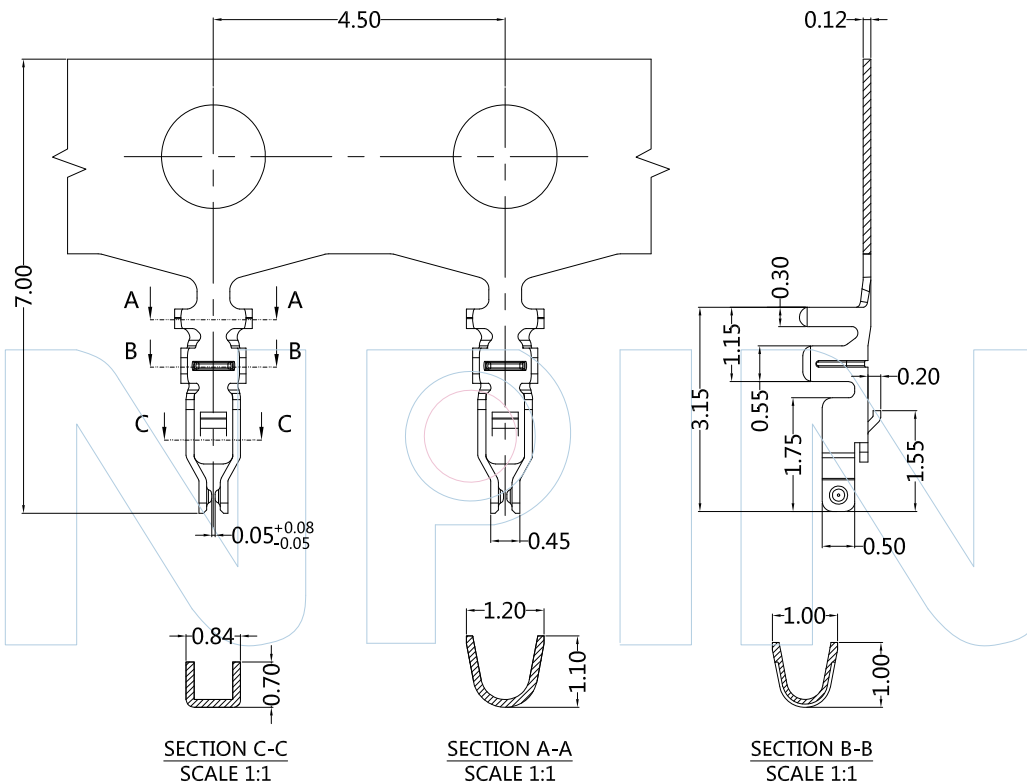
SCALE	1:1
UNIT	MM
PROJ.	
SHEET	

A0	2015/06/25	NEW	GF.He	Andy	
REV	DATE	MODIFICATION DESCRIPTIO	DRAW	CHANGE	APPROVE



PART NUMBER CODING
T12001-P XX 1

Contact plating
 G0:Gold Flash



Tel: +86 769 82581808 FAX: +86 769 81766192
 E-Mail: sales@winpin.net Http: www.winpin.net

PART NO: T12001-PXX1

TITLE: 1.20mm Terminal

NOTES:

Current Rating: 2.0AMP
 Withstand Voltage: 500V AC/DC
 Contact Resistance: 20mΩ Max
 Insulation Resistance: 100MΩ Min
 Operation Temperature: -25°C ~ +85°C
 Applicable Wire: AWG#28-30
 Applicable Housing: H12001-1XXX1
 Applicable Wafer: W12001-1XXZXXXX1

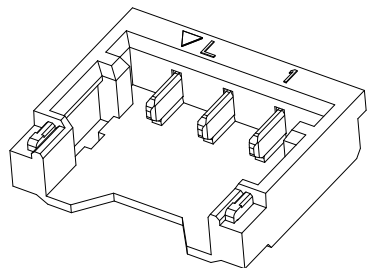
MATERIAL:

Contact: Phosphor Bronze
 Contact Plating: Au over Ni

UNLESS OTHERWISE SPECIFIED DIMENSIONS ARE IN METRIC
 TOLERANCES ARE:
 DECIMALS Angle
 X.X: ±0.40 ± 3°
 X.XX: ±0.25
 X.XXX: ±0.15

SCALE	1:1
UNIT	MM
PROJ.	
SHEET	

A0	2015/06/25	NEW	Hua.ZT		Hua.ZT
REV	DATE	MODIFICATION DESCRIPTION	DRAW	CHANGE	APPROVE



PART NUMBER CODING

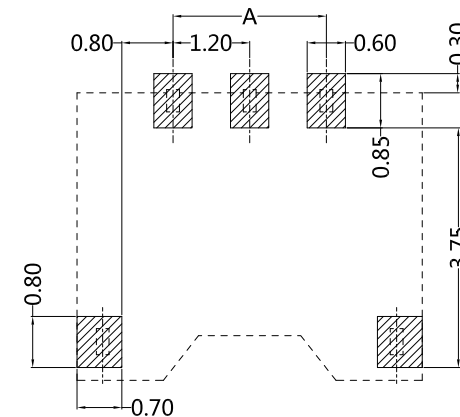
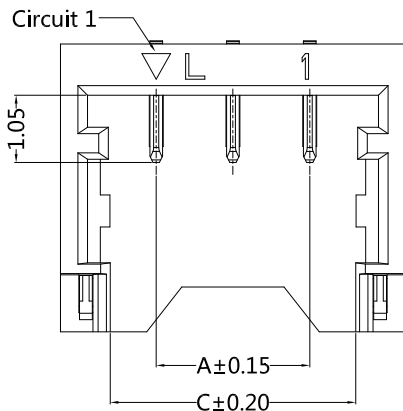
W12001-1 XX Z XX X X 1

No. of pins
02P-10P

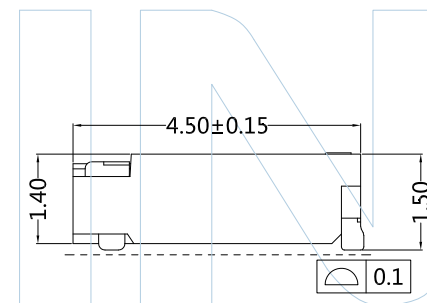
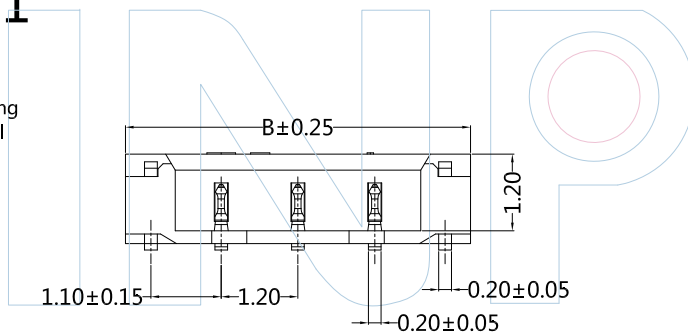
Contact plating
G0:Gold Flash
SN: Tin

Colour
B:Black

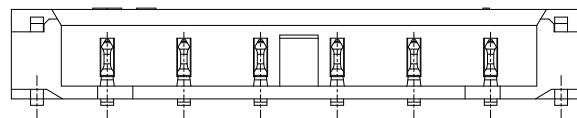
Packing
R:Reel



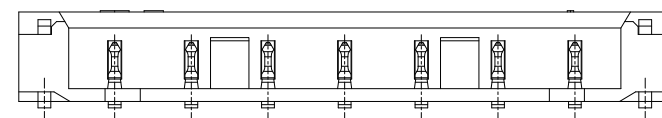
SUGGESTED PCB LAYOUT



Pins	Dimensions		
	A	B	C
02	1.20	4.20	2.64
03	2.40	5.40	3.84
04	3.60	6.60	5.04
05	4.80	7.80	6.24
06	6.00	9.00	7.44
07	7.20	10.20	8.64
08	8.40	11.40	9.84
09	9.60	12.60	11.04
10	10.80	13.80	12.24



6P With Sticking Point



7P~10P With Sticking Point



Tel: +86 769 82581808 FAX: +86 769 81766192
E-Mail: sales@winpin.net Http: www.winpin.net

PART NO: W12001-1XXZXXX1

TITLE: 1.20mm 90° SMT Wafer

NOTES:
Current Rating: 2.0A AC/DC
Voltage rating: 50V AC/ DC
Withstand Voltage: 500V AC/Minute
Contact Resistance: 20mΩ Max
Insulation Resistance: 100MΩ Min
Operation Temperature: -25°C~+85°C
Applicable Terminal: T12001-PXX1
Applicable Housing: H12001-1XXX1

MATERIAL:
Insulator Material: PA9T(UL94V-0)
Contact Material: Phosphor Bronze
Contact Plating: Au or Sn over Ni
Solder Tabs: Brass, Tin Plated

UNLESS OTHERWISE SPECIFIED DIMENSIONS ARE IN METRIC
TOLERANCES ARE:
DECIMALS Angle
X.X: ±0.40 ± 3°
X.XX: ±0.25
X.XXX: ±0.15

SCALE	1:1
UNIT	MM
PROJ.	
SHEET	

A0	2020/12/04	NEW	Jason.Huang		Jason.Huang
REV	DATE	MODIFICATION DESCRIPTIO	DRAW	CHANGE	APPROVE