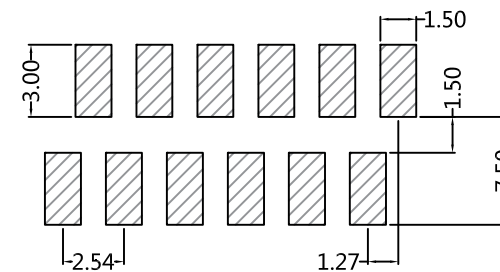
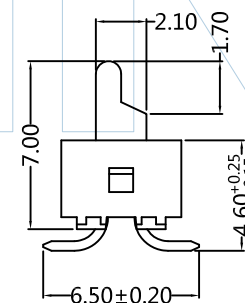
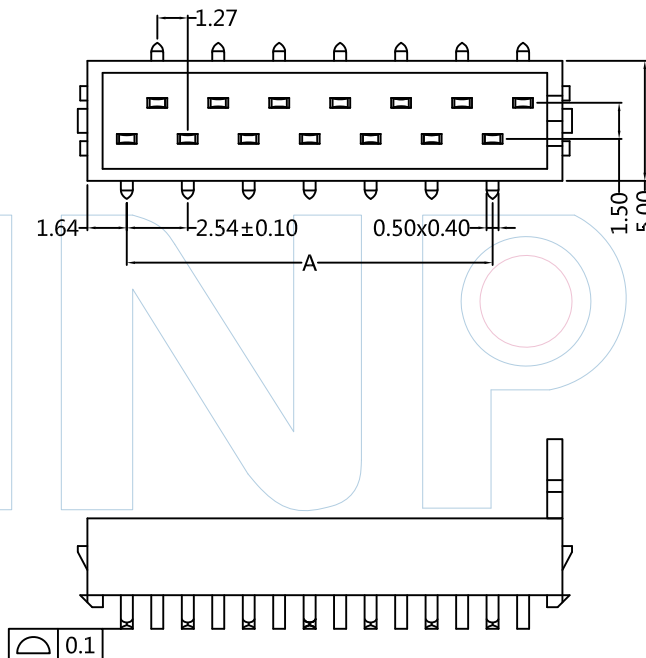




Recommended P.C.B Layout(Top Side)
(PCB BOARD TOLERANCE±0.05)



PART NUMBER CODING
 MMMM-XX XX X X 2
 No. of Pins 4-26
 Contact Plating SN: Tin
 Colour B= Red红色
 Packing T=Tube



Pins	Dim A	Q'ty/ Tube
04	2.54	68
06	5.08	52
08	7.62	42
10	10.16	36
12	12.70	31
14	15.24	27
16	17.78	24
18	20.32	22
20	22.86	20
22	25.40	18
24	27.94	17
26	30.48	16

WINPIN
 Tel: +86 769 82581808 FAX: +86 769 81766192
 E-Mail: sales@winpin.net Http: www.winpin.net

PART NO: MMMM-XXXXXX2
 TITLE: Micro Mini Box Header SMT

NOTES:
 Rating Current: 1.0AMP
 Withstand Voltage: 500V AC/DC
 Contact Resistance: 20mΩ Max
 Insulation Resistance: 1000MΩ Min
 Operation Temperature: -40°C to +105°C

MATERIAL:
 Contact : Phosphor Bronze
 Contact Plating: Sn over Ni
 Insulator : PA9T(UL94V-0)

UNLESS OTHERWISE SPECIFIED DIMENSIONS ARE IN METRIC TOLERANCES ARE:
 DECIMALS Angle
 X.X: ±0.40 ± 3°
 X.XX: ±0.25
 X.XXX: ±0.15

SCALE 1:1
 UNIT MM
 PROJ.

A0	2015/06/25	NEW	Myron.Yuan		Myron.Yuan
REV	DATE	MODIFICATION DESCRIPTION	DRAW	CHANGE	APPROVE