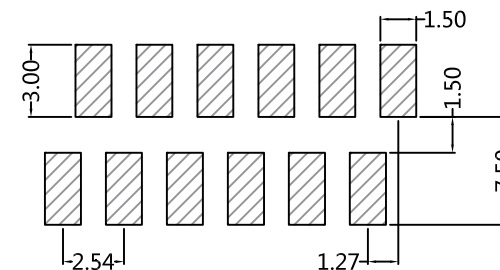


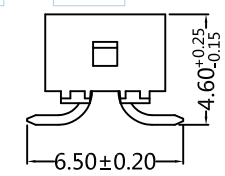
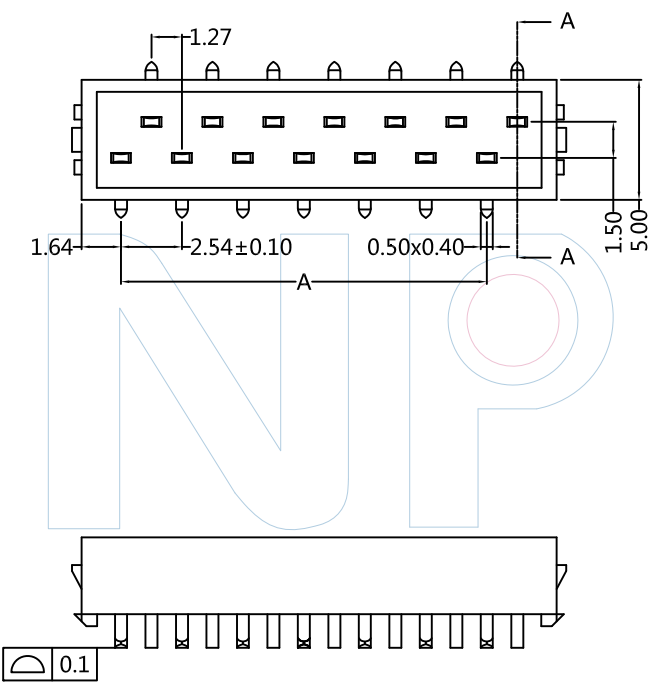
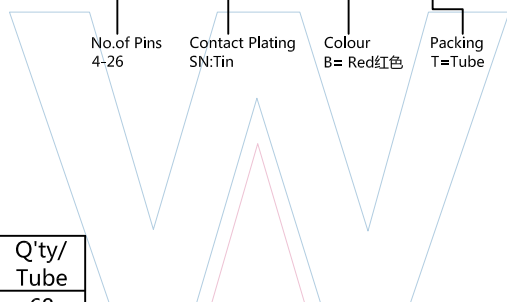


Recommended P.C.B Layout(Top Side)
(PCB BOARD TOLERANCE±0.05)



PART NUMBER CODING

MMMM-XX XX X X 3



Pins	Dim A	Q'ty/ Tube
04	2.54	68
06	5.08	52
08	7.62	42
10	10.16	36
12	12.70	31
14	15.24	27
16	17.78	24
18	20.32	22
20	22.86	20
22	25.40	18
24	27.94	17
26	30.48	16

Tel: +86 769 82581808
E-Mail: sales@winpin.net

FAX: +86 769 81766192
Http: www.winpin.net

PART NO: MMMM-XXXXXX3

TITLE: Micro Mini Box Header SMT

NOTES:
Rating Current: 1.0AMP
Withstand Voltage: 500V AC/DC
Contact Resistance: 20mΩ Max
Insulation Resistance: 1000MΩ Min
Operation Temperature: -40°C to +105°C

MATERIAL:
Contact : Phosphor Bronze
Contact Plating: Sn over Ni
Insulator : PA9T(UL94V-0)

UNLESS OTHERWISE SPECIFIED DIMENSIONS ARE IN METRIC TOLERANCES ARE:
DECIMALS Angle ± 3°
X.X: ±0.40
X.XX: ±0.25
X.XXX: ±0.15

SCALE 1:1
UNIT MM
PROJ.
SHEET

A0	2015/06/25	NEW	Myron.Yuan	Myron.Yuan	
REV	DATE	MODIFICATION DESCRIPTION	DRAW	CHANGE	APPROVE