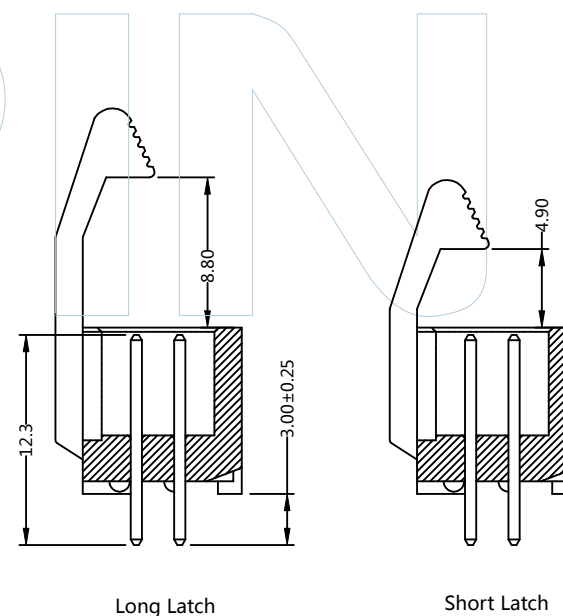
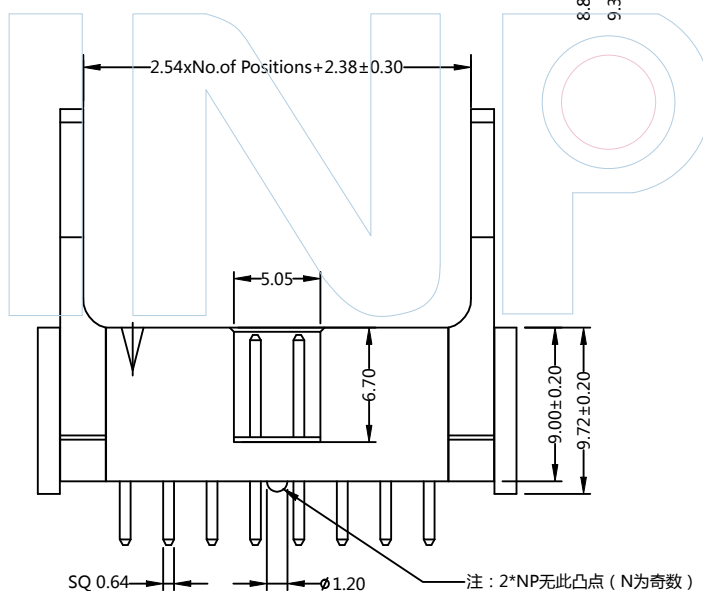
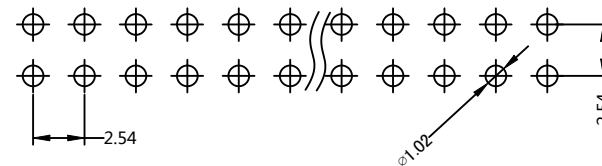
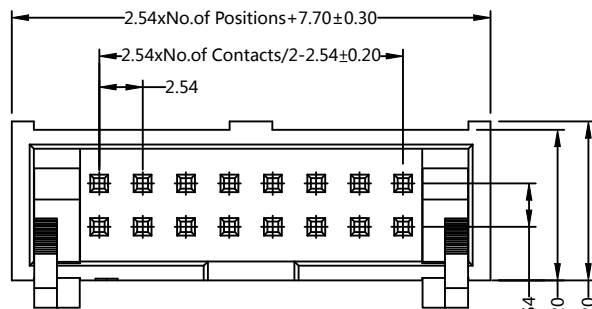


**PART NUMBER CODING**

EJFS1- XX XX X X X 2

- No. of Pins: 08-64P
- Contact Plating: G0:Gold Flash, G1:3U\*Gold, G2:5U\*Gold, G3:10U\*Gold, G4:15U\*Gold, G5:20U\*Gold, G6:30U\*Gold, S0:Gold Flash/Tin, S1:3U\*Gold/Tin, S2:5U\*Gold/Tin, S3:10U\*Gold/Tin, S4:15U\*Gold/Tin, S5:20U\*Gold/Tin, S6:30U\*Gold/Tin, SN:Tin
- Latch type: L:Long Latch, S:Short Latch
- A:PBT/Black, B:PA9T/Black, C:PA6T/Black
- Packing: A:Tray, T:Tube



Tel: +86 769 82581808 FAX: +86 769 81766192  
E-Mail: sales@winpin.net Http: www.winpin.net

PART NO: EJFS1-XXXXXXX2

TITLE: 2.54mm Ejector Header 180° METAL LATCH H=9.72mm

NOTES:  
Current Rating: 3.0AMP  
Withstand Voltage: 500V AC/DC  
Contact Resistance: 20mΩ Max  
Insulation Resistance: 1000MΩ Min  
Operation Temperature: -40°C to +105°C

Contact Material: Brass  
Contact Plating: Au or Sn over Ni  
Insulator Material: PBT/PA9T/PA6T+30%G.F (UL94V-0)

UNLESS OTHERWISE SPECIFIED DIMENSIONS ARE IN METRIC TOLERANCES ARE:  
DECIMALS Angle  
X.X: ±0.40 ±3°  
X.XX: ±0.25  
X.XXX: ±0.15

SCALE	1:1
UNIT	MM
PROJ.	
SHEET	

A0	2021/12/04	NEW	GF.He	Andy	
REV	DATE	MODIFICATION DESCRIPTIO	DRAW	CHANGE	APPROVE