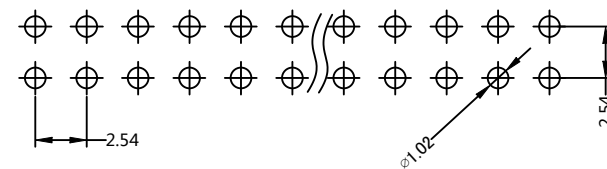




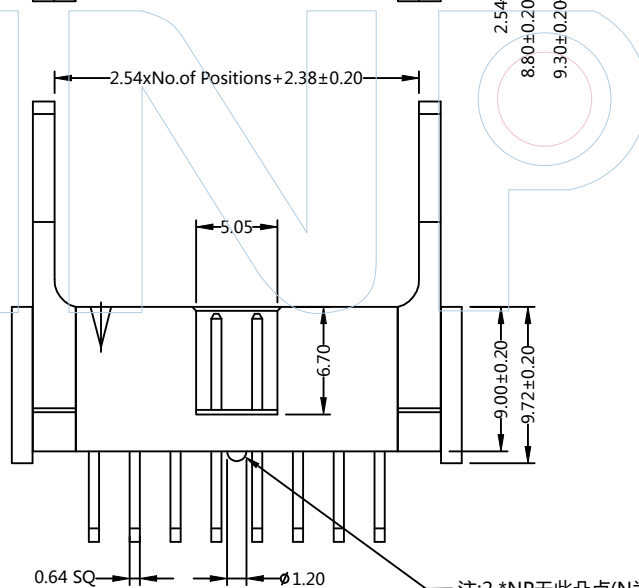
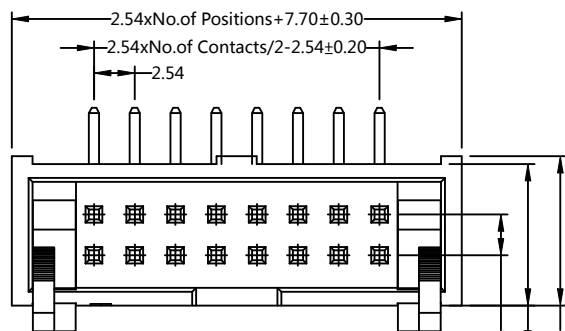
# Recommend P.C.B Layout(TOP Side) (PCB BOARD TOLERANCE±0.05)



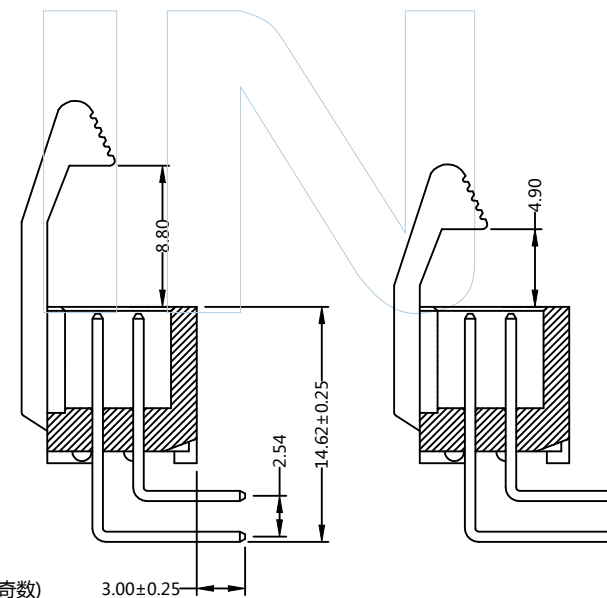
## PART NUMBER CODING

EJFR1- XX XX X X X 2

- No. of Pins: 08-64P
- Contact Plating:
  - G0:Gold Flash
  - G1:3U\*Gold
  - G2:5U\*Gold
  - G3:10U\*Gold
  - G4:15U\*Gold
  - G5:20U\*Gold
  - G6:30U\*Gold
  - S0:Gold Flash/Tin
  - S1:3U\*Gold/Tin
  - S2:5U\*Gold/Tin
  - S3:10U\*Gold/Tin
  - S4:15U\*Gold/Tin
  - S5:20U\*Gold/Tin
  - S6:30U\*Gold/Tin
  - SN:Tin
- Latch type:
  - L:Long Latch
  - S:Short Latch
- A:PBT/Black
- B:PA9T/Black
- C:PA6T/Black
- Packing:
  - A:Tray
  - T:Tube



注:2 \*NP无此凸点(N为奇数)



Long Latch

Short Latch



Tel: +86 769 82581808 FAX: +86 769 81766192  
E-Mail: sales@winpin.net Http: www.winpin.net

PART NO: EJFR1-XXXXXXX2

TITLE: 2.54mm Ejector Header 90° METAL LATCH H=9.72mm

NOTES:  
Current Rating:3.0AMP  
Withstand Voltage:500V AC/DC  
Contact Resistance:20mΩ Max  
Insulation Resistance:1000MΩ Min  
Operation Temperature:-40°C to +105°C

Contact Material:Brass  
Contact Plating: Au or Sn over Ni  
Insulator Material:PBT/PA9T/PA6T+30%G.F  
(UL94V-0)

UNLESS OTHERWISE SPECIFIED DIMENSIONS ARE IN METRIC TOLERANCES ARE:  
DECIMALS Angle  
X.X:±0.40 ±3°  
X.XX:±0.25  
X.XXX:±0.15

SCALE	1:1
UNIT	MM
PROJ.	
SHEET	

A0	2021/05/09	NEW	GuoFang.He	Andy	
REV	DATE	MODIFICATION DESCRIPTIO	DRAW	CHANGE	APPROVE