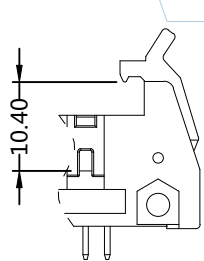
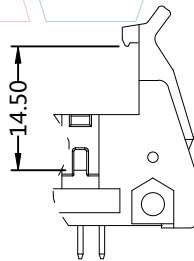


PART NUMBER CODING
EJFS3- XX XX X X X X

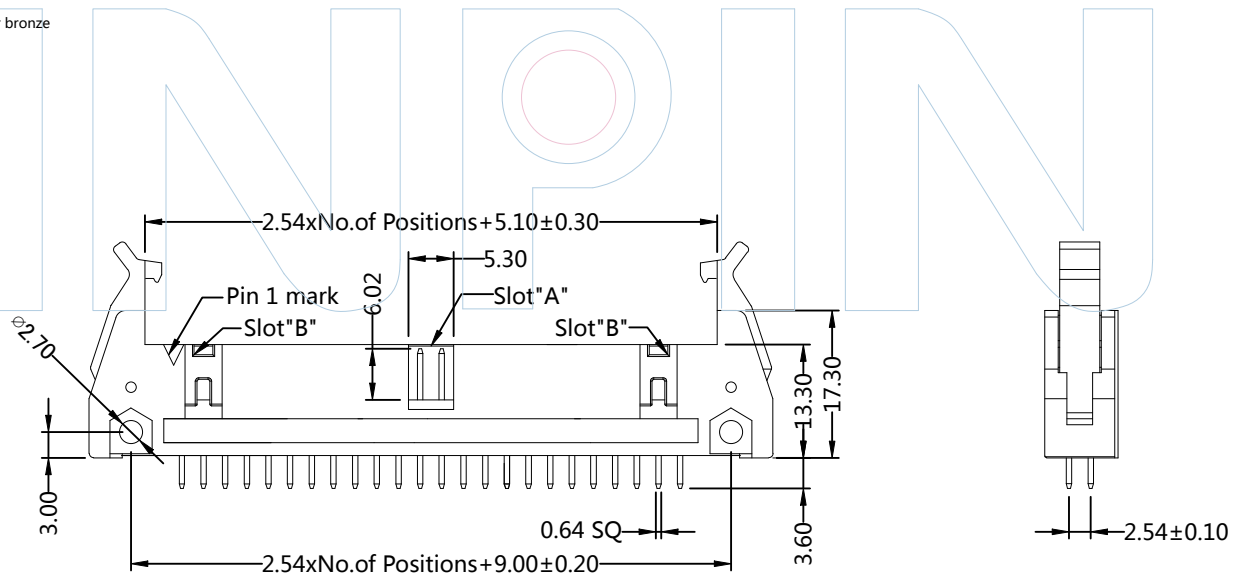
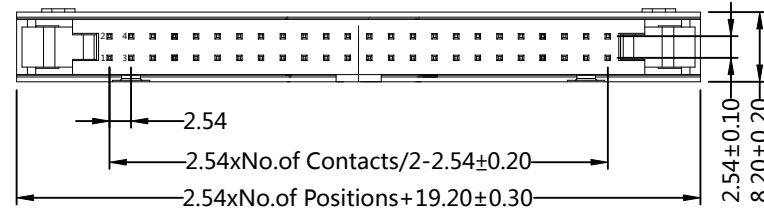
- No. of Pins: 06-64
- Contact Plating: G0:Gold Flash, G1:3U"Gold, G2:5U"Gold, G3:10U"Gold, G4:15U"Gold, G5:20U"Gold, G6:30U"Gold, S0:Gold Flash/Tin, S1:3U"Gold/Tin, S2:5U"Gold/Tin, S3:10U"Gold/Tin, S4:15U"Gold/Tin, S5:20U"Gold/Tin, S6:30U"Gold/Tin, SN:Tin
- Latch type: L:Long Latch, S:Short Latch
- Material/Color: A:PBT/Black, B:PA9T/Black, C:PA6T/Black
- Packing: A:Tray, T:Tube
- Contact Material: 1:Brass, 2:Phosphor bronze



Short Lever



Long Lever



06P-18P With Slot "A", Without Slot "B",
20P-64P With Slot "B" and "A"



Tel: +86 769 82581808 FAX: +86 769 81766192
E-Mail: sales@winpin.net Http: www.winpin.net

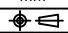
NOTES:
Current Rating: 3.0AMP
Withstand Voltage: 500V AC/DC
Contact Resistance: 20mΩ Max
Insulation Resistance: 1000MΩ Min
Operation Temperature: -40°C to +105°C

Contact Material: Brass/Phosphor bronze
Contact Plating: Au or Sn over Ni
Insulator Material: PBT/PA9T/PA6T+30%G.F (UL94V-0)

UNLESS OTHERWISE SPECIFIED DIMENSIONS ARE IN METRIC TOLERANCES ARE: DECIMALS Angle X.X: ±0.40 ±3° X.XX: ±0.25 X.XXX: ±0.15

PART NO: EJFS3-XXXXXXXX

TITLE: 2.54mm Ejector Header 180°小耳扣

SCALE	1:1	A0	2019/06/25	NEW	Myron.Yuan	Myron.Yuan
UNIT	MM	REV	DATE	MODIFICATION DESCRIPTION	DRAW	APPROVE
PROJ.						
SHEET						