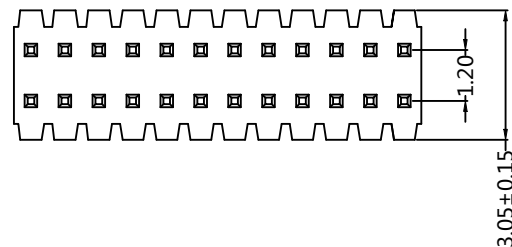
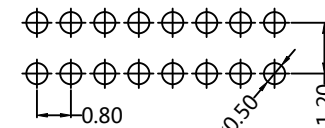
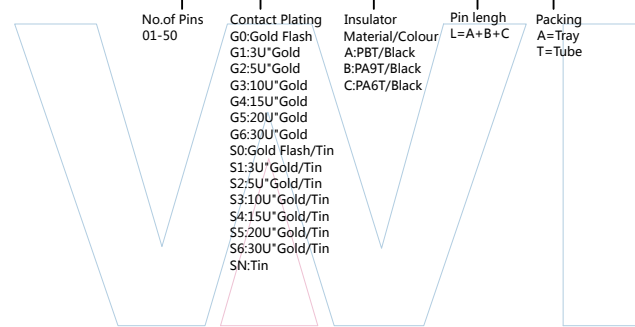


Recommended P.C.B Layout(Top Side)  
(PCB BOARD TOLERANCE±0.05)



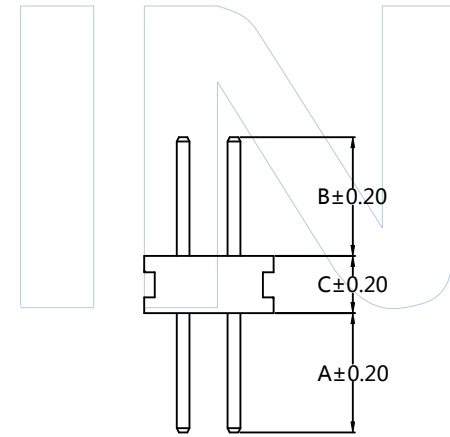
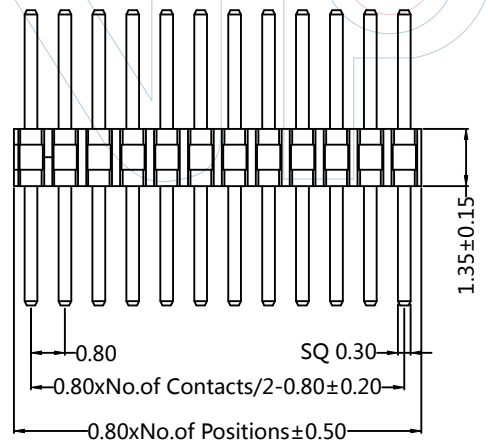
PART NUMBER CODING

PHAS13-12 XX XX X XXX X 1



- No.of Pins  
01-50
- Contact Plating  
G0:Gold Flash  
G1:3U\*Gold  
G2:5U\*Gold  
G3:10U\*Gold  
G4:15U\*Gold  
G5:20U\*Gold  
G6:30U\*Gold  
S0:Gold Flash/Tin  
S1:3U\*Gold/Tin  
S2:5U\*Gold/Tin  
S3:10U\*Gold/Tin  
S4:15U\*Gold/Tin  
S5:20U\*Gold/Tin  
S6:30U\*Gold/Tin  
SN:Tin
- Insulator Material/Colour  
A:PBT/Black  
B:PA9T/Black  
C:PA6T/Black
- Pin length  
L=A+B+C
- Packing  
A=Tray  
T=Tube

Dimension antitheses list			
ITEM	A	B	
Standard	2.80	2.80	
Altemate			



Tel: +86 769 82581808 FAX: +86 769 81766192  
E-Mail:sales@winpin.net Http:www.winpin.net

PART NO: PHAS13-12XXXXXXXXX1

TITLE: PH 0.8x1.2mm Dual Row 180° H=1.35mm

NOTES:  
Current Rating:0.75AMP  
Withstand Voltage:500V AC/DC  
Contact Resistance:20mΩ Max  
Insulation Resistance:1000MΩ Min  
Operation Temperature:-40°C to +105°C

Contact Material:Phosphor Bronze  
Contact Plating:Au or Sn over Ni  
Insulator Material:PBT/PA9T/PA6T+30%GF  
(UL94V-0)

UNLESS OTHERWISE SPECIFIED DIMENSIONS ARE IN METRIC TOLERANCES ARE:  
DECIMALS Angle  
X.X:±0.40 ± 3°  
X.XX:±0.25  
X.XXX:±0.15

SCALE	1:1
UNIT	MM
PROJ.	
SHEET	

A0	2022/08/04	NEW	GF.He						Andy
REV	DATE	MODIFICATION DESCRIPTIO	DRAW	CHANGE	APPROVE				