



# PART NUMBER CODING

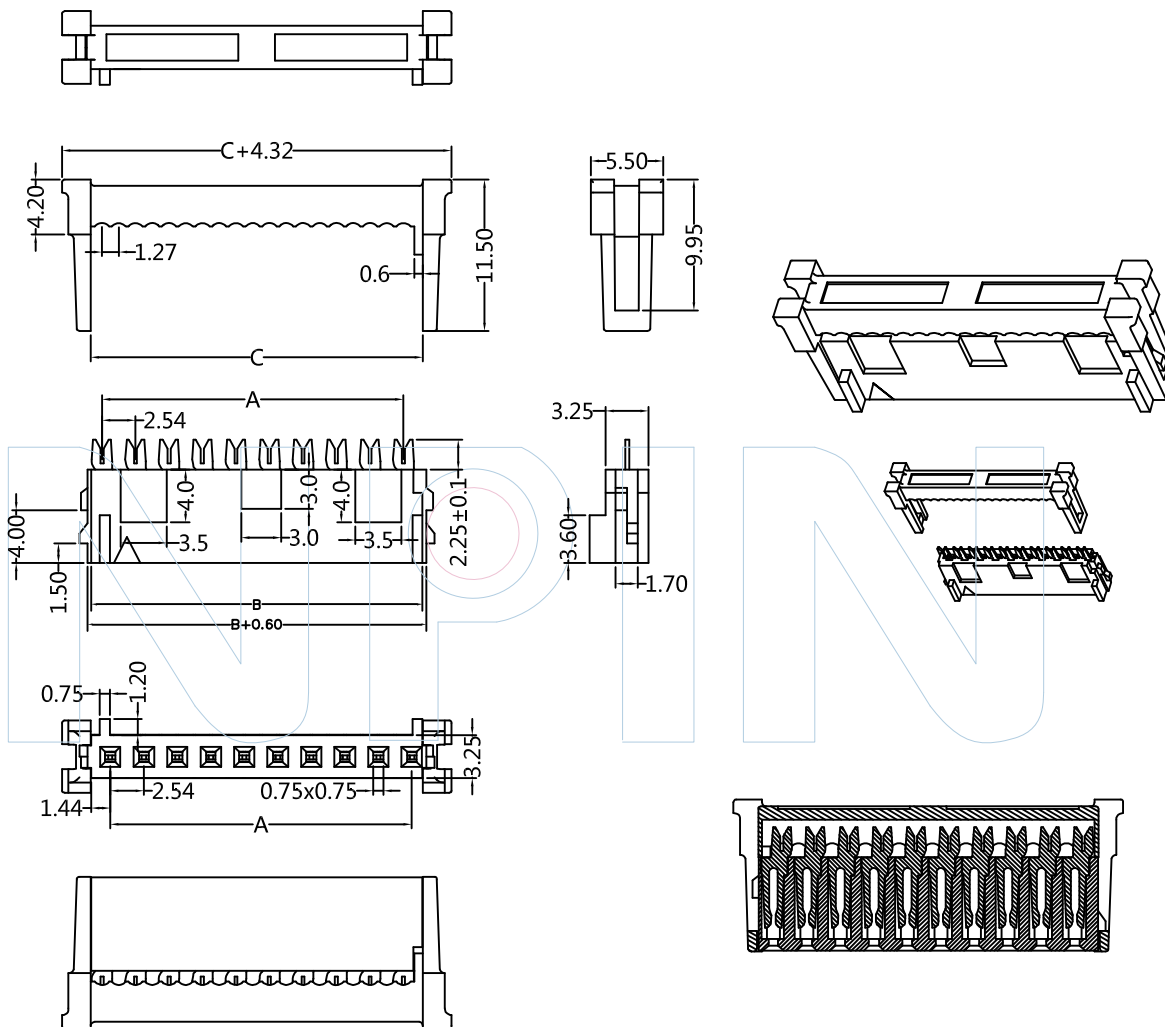
IDD22- **XX** **XX** **X** **2** **X** **1**

No. of Pins  
8-24P

Contact Plating  
G0:Gold Flash  
G1:3U\*Gold  
G2:5U\*Gold  
G3:10U\*Gold  
G4:15U\*Gold  
G5:20U\*Gold  
G6:30U\*Gold  
S0:Gold Flash/Ni  
S1:3U\*Gold/Ni  
S2:5U\*Gold/Ni  
S3:10U\*Gold/Ni  
S4:15U\*Gold/Ni  
S5:20U\*Gold/Ni  
S6:30U\*Gold/Ni  
SN:Tin

Color  
B:Black  
G:Grey

Packing  
A:Tray



Pins	Dimensions		
	A	B	C
8	17.78	20.02	20.10
10	22.86	25.10	25.18
14	33.02	35.26	35.34
16	38.10	40.34	40.42
24	58.42	60.66	60.74

**WINPIN**

Tel: +86 769 82581808      FAX: +86 769 81766192  
 E-Mail: sales@winpin.net      Http: www.winpin.net

PART NO: IDD22-XXXXX2X1

TITLE: CE单破刺破式

NOTES:  
 Current Rating: 3.0AMP  
 Withstand Voltage: 500V AC/DC  
 Contact Resistance: 20mΩ Max  
 Insulation Resistance: 1000MΩ Min  
 Operation Temperature: -40°C to +105°C

MATERIAL:  
 Contact Material: Brass  
 Contact Plating: Au or Sn over Ni  
 Insulator Material: PBT+30%GF(UL94V-0)

UNLESS OTHERWISE SPECIFIED DIMENSIONS ARE IN METRIC  
 TOLERANCES ARE:  
 DECIMALS Angle  
 X.X: ±0.40 ± 3°  
 X.XX: ±0.25  
 X.XXX: ±0.15

SCALE 1:1  
 UNIT MM  
 PROJ.

A0	2015/06/25	NEW	Hua.ZT		Hua.ZT
REV	DATE	MODIFICATION DESCRIPTIO	DRAW	CHANGE	APPROVE