



### PART NUMBER CODING

IDC5 X- XX XX X 2 X 1

TYPE  
1:With Bump  
2:w/o Bump

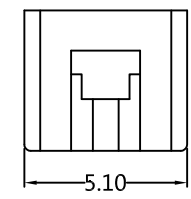
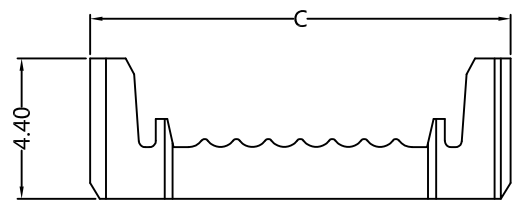
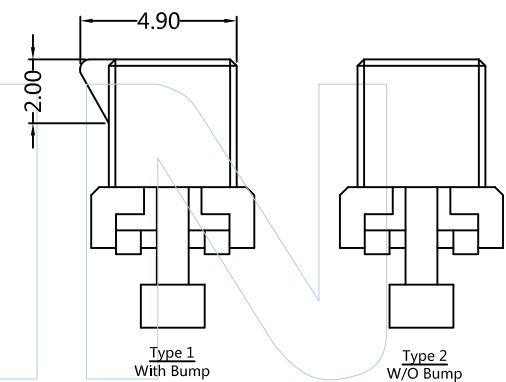
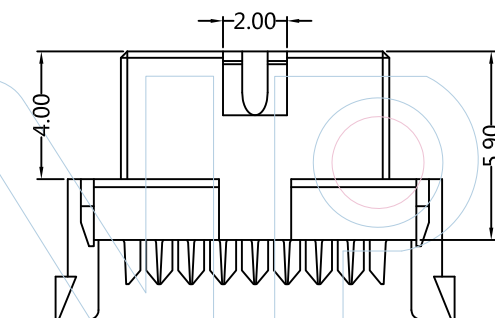
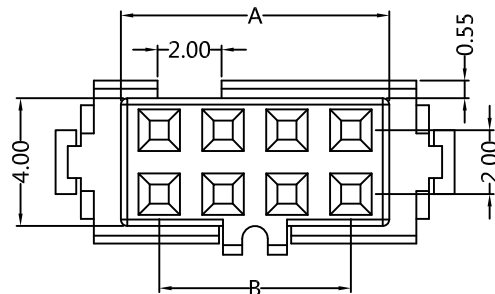
No.of Pins  
6-68P

Contact Plating  
S0:Gold Flash/Ni  
S1:3U\*Gold/Ni  
S2:5U\*Gold/Ni  
S3:10U\*Gold/Ni  
S4:15U\*Gold/Ni  
S5:20U\*Gold/Ni  
S6:30U\*Gold/Ni  
SN:Tin

Color  
B:Black  
G:Grey

Packing  
A:Tray

Pins	Dimensions		
	A	B	C
06	6.40	4.00	11.17
08	8.40	6.00	13.17
10	10.40	8.00	15.17
12	12.40	10.00	17.17
14	14.40	12.00	19.17
16	16.40	14.00	21.17
20	20.40	18.00	25.17
22	22.40	20.00	27.17
24	24.40	22.00	29.17
26	26.40	24.00	31.17
30	30.40	28.00	35.17
34	34.40	32.00	39.17
40	40.40	38.00	45.17
44	44.40	42.00	49.17
50	50.40	48.00	55.17
68	68.40	66.00	73.17



**WINPIN**  
 Tel:+86 769 82581808 FAX:+86 769 81766192  
 E-Mail:sales@winpin.net Http://www.winpin.net

PART NO: IDC5X-XXXXX2X1  
 TITLE: 2.00mm IDC Socket

NOTES:  
 Current Rating:1.0AMP  
 Withstand Voltage:500V AC/DC  
 Contact Resistance:20mΩ Max  
 Insulation Resistance:1000MΩ Min  
 Operation Temperature:-40°C to +105°C

MATERIAL:  
 Contact Material:Phosphor Bronze  
 Contact Plating:Au over Ni  
 Insulator Material:PBT+30%GF(UL94V-0)

UNLESS OTHERWISE SPECIFIED DIMENSIONS ARE IN METRIC TOLERANCES ARE:  
 DECIMALS Angle  
 X.X:±0.40 ± 3°  
 X.XX:±0.25  
 X.XXX:±0.15

SCALE 1:1  
 UNIT MM  
 PROJ.   
 SHEET

A0	2020/06/25	NEW	Jason.Huang	Jason.Huang	
REV	DATE	MODIFICATION DESCRIPTION	DRAW	CHANGE	APPROVE