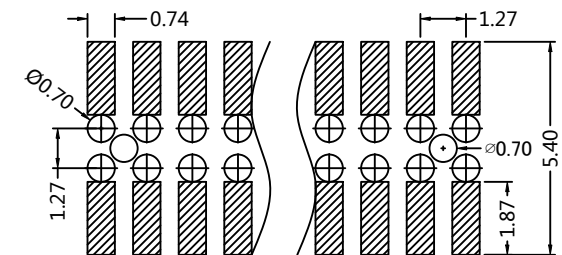
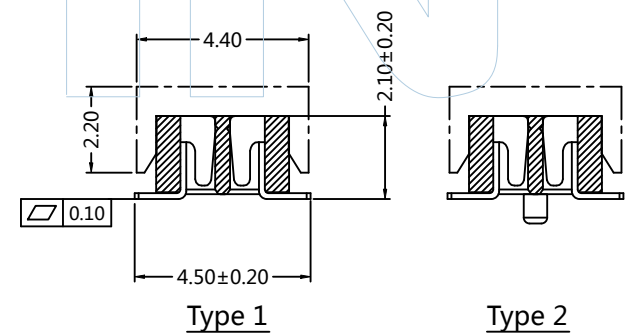
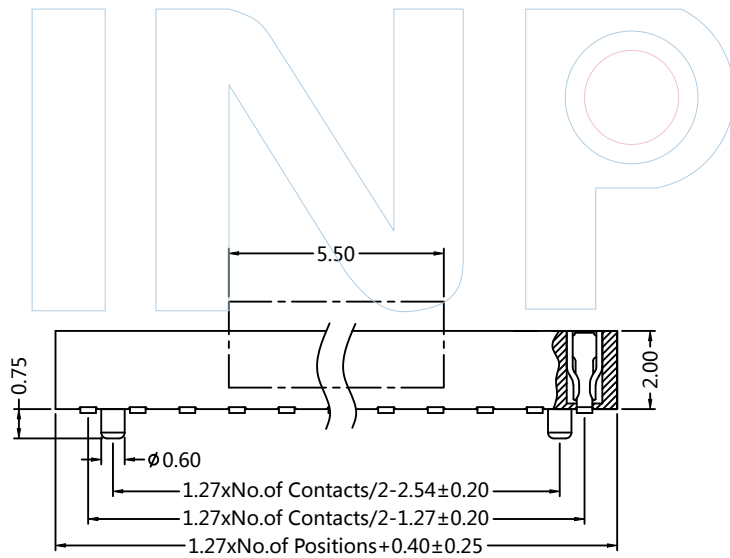
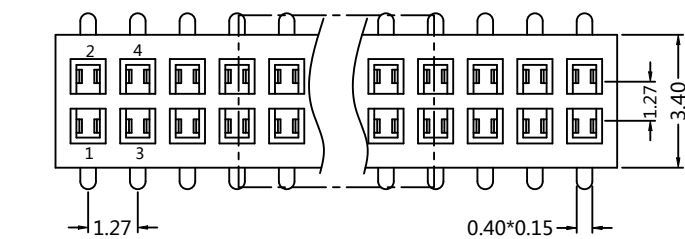
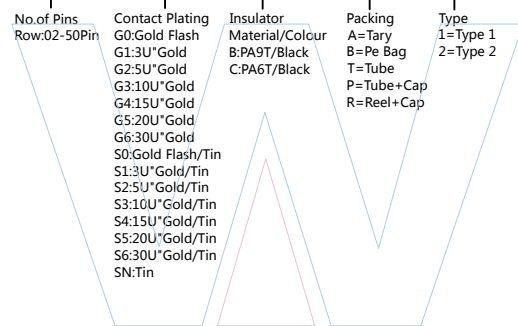




Recommended P.C.B Layout(Top Side)
(PCB BOARD TOLERANCE±0.05)



PART NUMBER CODING
FHCM20- 2 XX XX X O X X



Tel: +86 769 82581808 FAX: +86 769 81766192
E-Mail:sales@winpin.net Http://www.winpin.net

PART NO: FHCM20-2XXXXXOXX

TITLE: FH1.27mm Dual Row SMT H=2.00mm 下接式

NOTES:
Current Rating:1.0AMP
Contact Resistance:20mΩ Max
Insulation Resistance:1000MΩ Min
Withstand Voltage:500V AC/Minute
Operation Temperature:-40°C to +105°C

MATERIAL:
Contact:Phosphor Bronze
Contact Plating:Au or Sn over Ni
Insulator:PA9T/PA6T+30%GF(UL94V-0)

UNLESS OTHERWISE SPECIFIED DIMENSIONS ARE IN METRIC TOLERANCES ARE: DECIMALS Angle ± 3°
X.X:±0.40
X.XX:±0.25
X.XXX:±0.15

SCALE	1:1
UNIT	MM
PROJ.	
SHEET	

A0	2015/06/25	NEW	GF.He	Andy	
REV	DATE	MODIFICATION DESCRIPTIO	DRAW	CHANGE	APPROVE