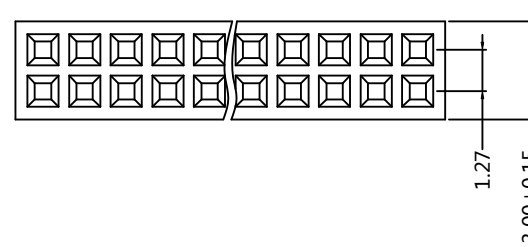
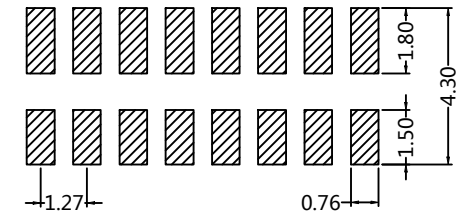


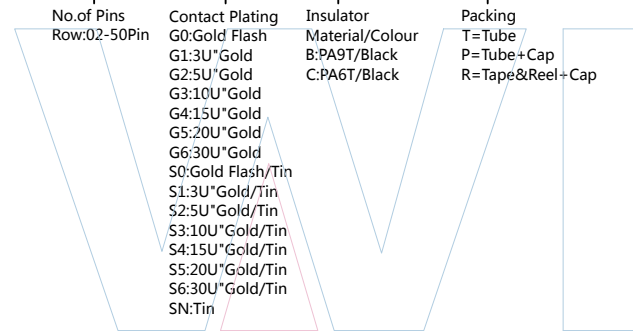


Recommend P.C.B Layout(TOP Side)
(PCB BOARD TOLERANCE±0.05)



PART NUMBER CODING

FHCZ44- 2 XX XX X U X 1



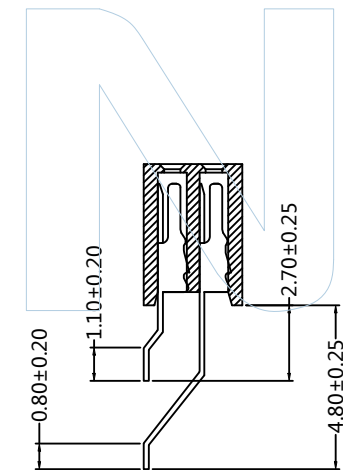
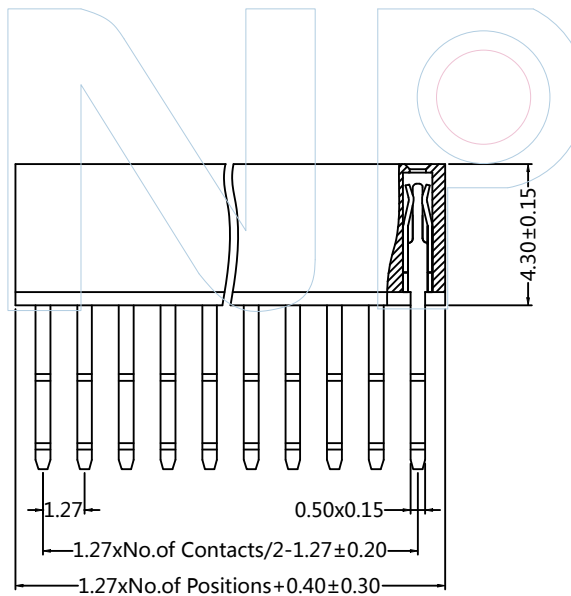
No.of Pins
Row:02-50Pin

Contact Plating

Insulator
Material/Colour

Packing
T=Tube
P=Tube+Cap
R=Tape&Reel+Cap

- G0:Gold Flash
- G1:3U*Gold
- G2:5U*Gold
- G3:10U*Gold
- G4:15U*Gold
- G5:20U*Gold
- G6:30U*Gold
- S0:Gold Flash/Tin
- S1:3U*Gold/Tin
- S2:5U*Gold/Tin
- S3:10U*Gold/Tin
- S4:15U*Gold/Tin
- S5:20U*Gold/Tin
- S6:30U*Gold/Tin
- SN:Tin



Tel: +86 769 82581808 FAX: +86 769 81766192
E-Mail:sales@winpin.net Http:www.winpin.net

PART NO: FHCZ44-2XXXXXUX1

TITLE: FH1.27mm Dual Female 90° SMT H=4.30mm

NOTES:
Current Rating:1.0AMP
Contact Resistance:20mΩ Max
Insulation Resistance:1000MΩ Min
Withstand Voltage:500V AC/Minute
Operation Temperature: -40°C to +105°C

MATERIAL:
Contact Material:Phosphor Bronze
Contact Plating:Au or Sn over Ni
Insulator Material:PA9T/PA6T+30%GF
(UL94V-0)

UNLESS OTHERWISE SPECIFIED DIMENSIONS ARE IN METRIC TOLERANCES ARE: DECIMALS Angle X.X:±0.40 ± 3° X.XX:±0.25 X.XXX:±0.15

SCALE	1:1
UNIT	MM
PROJ.	
SHEET	

A0	2023/03/15	NEW	Nike.Tan		Andy
REV	DATE	MODIFICATION DESCRIPTIO	DRAW	CHANGE	APPROVE