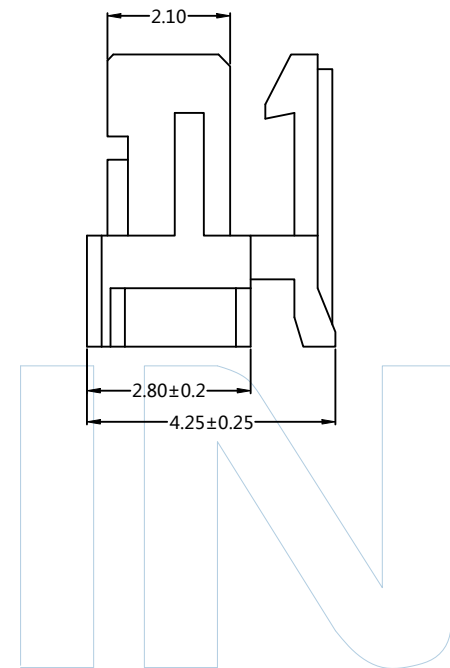
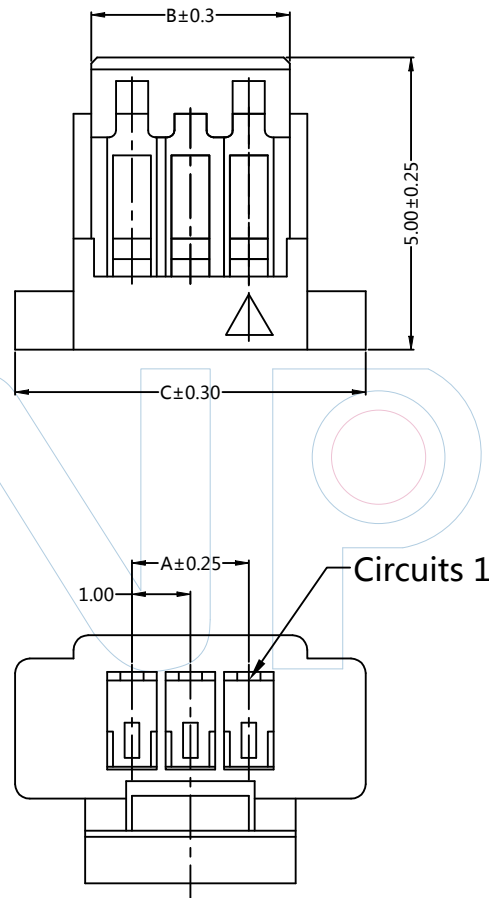




PART NUMBER CODING H10001-1 XX X 3

No. of pins
02-10P

Color
W=White



Pins	Dimensions		
	A	B	C
2	1.00	4.00	2.45
3	2.00	5.00	3.45
4	3.00	6.00	4.45
5	4.00	7.00	5.45
6	5.00	8.00	6.45
7	6.00	9.00	7.45
8	7.00	10.00	8.45
9	8.00	11.00	9.45
10	9.00	12.00	10.45

Tel: +86 769 82581808
E-Mail: sales@winpin.net

FAX: +86 769 81766192
Http: www.winpin.net

PART NO: H10001-1XXX3

TITLE: 1.00mm Housing

Note:
Contact Resistance: ≤20mΩ
Insulation Resistance: ≥100MΩ
Rated Voltage: 50V AC/DC
Rated Current: 1.0A AC/DC
Withstand Voltage: 500V AC/Minute
Temperature Range: -25°C~+105°C
Applicable Terminal: T10001-PXX3

Material:
Housing: PA66 (UL94V-0)

UNLESS OTHERWISE SPECIFIED DIMENSIONS ARE IN METRIC TOLERANCES ARE:
DECIMALS Angle
X.X: ±0.40 ± 3°
X.XX: ±0.25
X.XXX: ±0.15

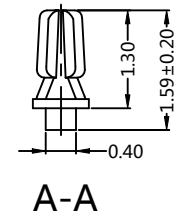
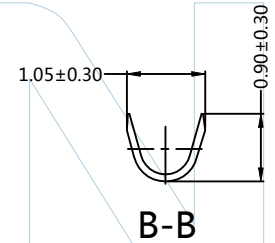
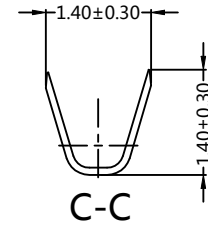
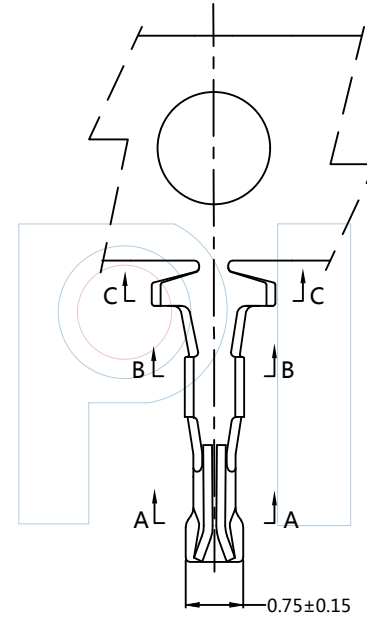
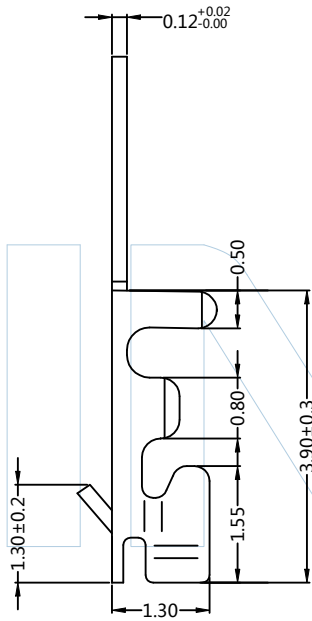
SCALE	1:1
UNIT	MM
PROJ.	
SHEET	

REV	DATE	MODIFICATION DESCRIPTION	DRAW	CHANGE	APPROVE
A0	2022/04/28	NEW	GF.He		Andy



PART NUMBER CODING
T10001-P XX 3

Contact plating
 SN: Tin



Tel: +86 769 82581808 FAX: +86 769 81766192
 E-Mail: sales@winpin.net Http: www.winpin.net

PART NO: T10001-PXX3

TITLE: 1.00mm terminal

Note:
 Contact Resistance: ≤20mΩ
 Insulation Resistance: ≥100MΩ
 Rated Voltage: 50V AC/DC
 Rated Current: 1.0A AC/DC
 Withstand Voltage: 500V AC/Minute
 Temperature Range: -25°C~+105°C
 Wire Range: AWG#28~#32
 Applicable Housing: H10001-1XXX3

MATERIAL:
 Contact: Phosphor Bronze
 Plating: Tin Plated

UNLESS OTHERWISE SPECIFIED DIMENSIONS ARE IN METRIC
 TOLERANCES ARE:
 DECIMALS Angle
 X.X: ±0.40 ± 3°
 X.XX: ±0.25
 X.XXX: ±0.15

SCALE	1:1
UNIT	MM
PROJ.	
SHEET	

A0	2022/04/28	NEW	GF.He		Andy
REV	DATE	MODIFICATION DESCRIPTION	DRAW	CHANGE	APPROVE



PART NUMBER CODING
W10001-1 XX M XX X X 3

No.of pins
02-20P

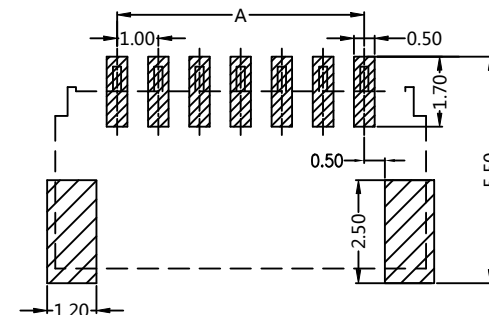
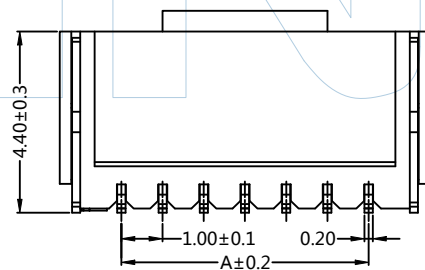
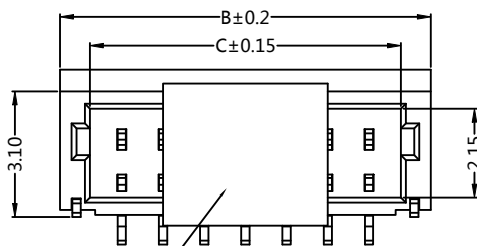
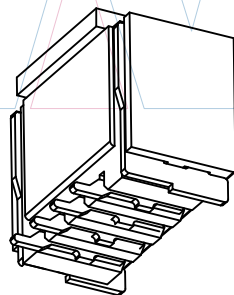
Contact plating
SN: Tin

Color
E=Beige

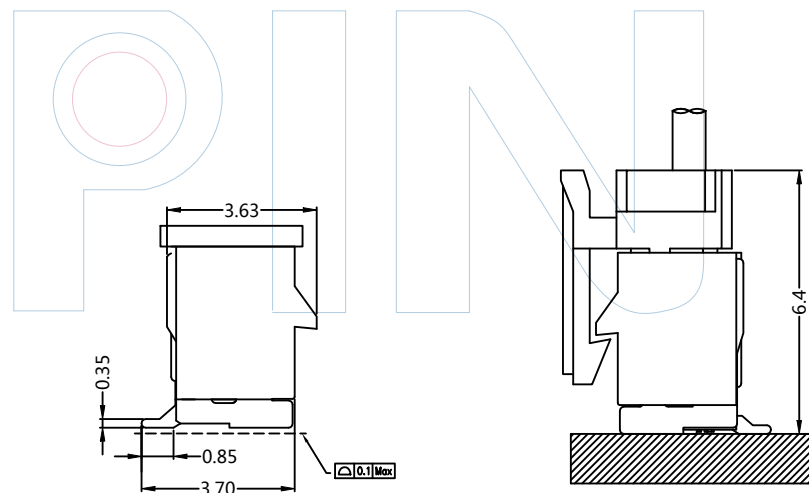
Packing
R=Tape&Reel+CAP

吸盘装于产中心

Pins	Dimensions		
	A	B	C
2	1.00	2.40	5.00
3	2.00	3.40	6.00
4	3.00	4.40	7.00
5	4.00	5.40	8.00
6	5.00	6.40	9.00
7	6.00	7.40	10.00
8	7.00	8.40	11.00
9	8.00	9.40	12.00
10	9.00	10.40	13.00
11	10.00	11.40	14.00
12	11.00	12.40	15.00
13	12.00	13.40	16.00
14	13.00	14.40	17.00
15	14.00	15.40	18.00
16	15.00	16.40	19.00
17	16.00	17.40	20.00
18	17.00	18.40	21.00
19	18.00	19.40	22.00
20	19.00	20.40	23.00



Recommend PCB Layout



Assembly Layout



Tel: +86 769 82581808 FAX: +86 769 81766192
 E-Mail: sales@winpin.net Http: www.winpin.net

PART NO: W10001-1XXX3

TITLE: 1.0mm Wafer 180° SMT TYPE

Note:
 Contact Resistance: ≤20mΩ
 Insulation Resistance: ≥100MΩ
 Rated Voltage: 50V AC/DC
 Rated Current: 1.0A AC/DC
 Withstand Voltage: 500V AC/Minute
 Temperature Range: -25°C~+105°C
 Applicable Housing: H10001-1XXX3
 Applicable Terminal: T10001-PXX3

Material:
 Housing: LCP (UL94V-0)
 Contact Material: Phosphor Bronze
 Contact Plated: Sn over Ni
 Solder Tab Material: Phosphor Bronze
 Solder Tab Plated: Tin Plated

UNLESS OTHERWISE SPECIFIED DIMENSIONS ARE IN METRIC
 TOLERANCES ARE:
 DECIMALS Angle
 X.X: ±0.40 ± 3°
 X.XX: ±0.25
 X.XXX: ±0.15

SCALE	1:1
UNIT	MM
PROJ.	
SHEET	

A0	2022/04/28	NEW	GF.He	Andy	
REV	DATE	MODIFICATION DESCRIPTIO	DRAW	CHANGE	APPROVE



PART NUMBER CODING
W10001-1 XX Z XX X X 3

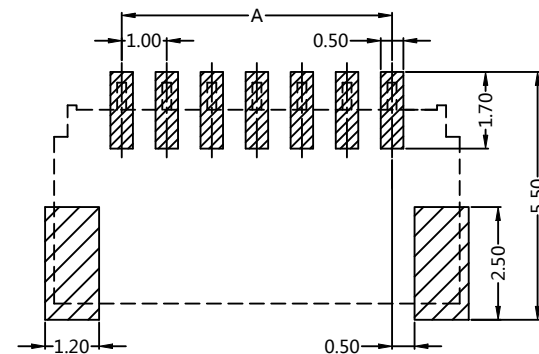
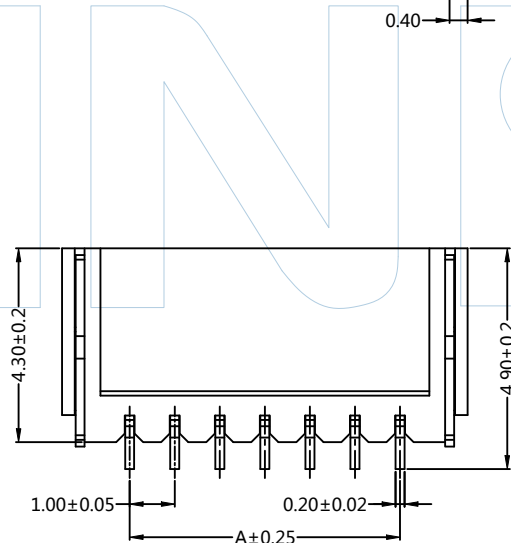
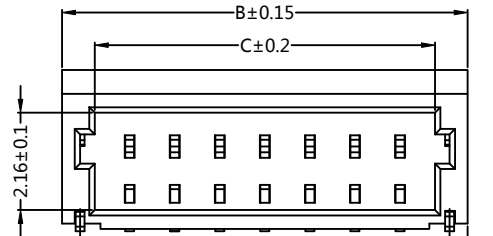
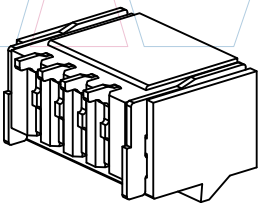
No. of pins
02-20P

Contact plating
SN: Tin

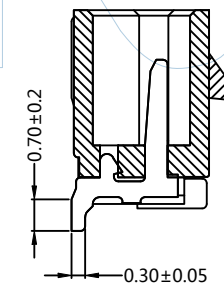
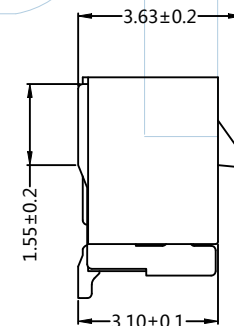
Color
E=Beige

Packing
R=Tape&Reel+CAP

Pins	Dimensions		
	A	B	C
2	1.00	4.00	2.45
3	2.00	5.00	3.45
4	3.00	6.00	4.45
5	4.00	7.00	5.45
6	5.00	8.00	6.45
7	6.00	9.00	7.45
8	7.00	10.00	8.45
9	8.00	11.00	9.45
10	9.00	12.00	10.45
11	10.00	13.00	11.45
12	11.00	14.00	12.45
13	12.00	15.00	13.45
14	13.00	16.00	14.45
15	14.00	17.00	15.45
16	15.00	18.00	16.45
17	16.00	19.00	17.45
18	17.00	20.00	18.45
19	18.00	21.00	19.45
20	19.00	22.00	20.45



Recommend PCB Layout



Tel: +86 769 82581808 FAX: +86 769 81766192
 E-Mail: sales@winpin.net Http: www.winpin.net

PART NO: W10001-1XXX3

TITLE: 1.0mm Wafer 90° SMT TYPE

Note:
 Contact Resistance: ≤20mΩ
 Insulation Resistance: ≥100MΩ
 Rated Voltage: 50V AC/DC
 Rated Current: 1.0A AC/DC
 Withstand Voltage: 500V AC/Minute
 Temperature Range: -25°C~+105°C
 Applicable Housing: H10001-1XXX3
 Applicable Terminal: T10001-PXX3

Material:
 Housing: LCP (UL94V-0)
 Contact Material: Phosphor Bronze
 Contact Plated: Sn over Ni
 Solder Tab Material: Phosphor Bronze
 Solder Tab Plated: Tin Plated

UNLESS OTHERWISE SPECIFIED DIMENSIONS ARE IN METRIC
 TOLERANCES ARE:
 DECIMALS Angle
 X.X: ±0.25 ± 3°
 X.XX: ±0.15
 X.XXX: ±0.15

SCALE	1:1
UNIT	MM
PROJ.	
SHEET	

A0	2022/04/28	NEW	GF.He		Andy
REV	DATE	MODIFICATION DESCRIPTIO	DRAW	CHANGE	APPROVE