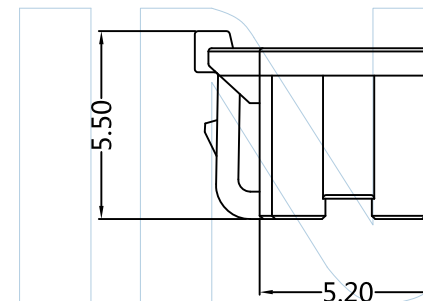
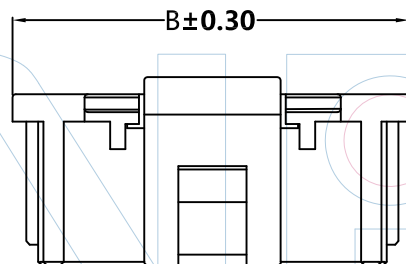


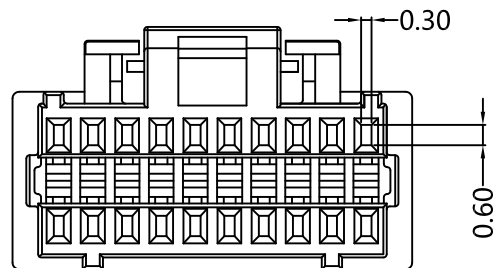
H10008-2 XX X 1

No. of pins
10-25

Color
W=White



Pins	Dimensions	
	A	B
2*10	9.00	11.70
2*12	11.00	13.70
2*15	14.00	16.70
2*20	19.00	21.70
2*25	24.00	26.70



WINPIN

Tel: +86 769 82581808
E-Mail: sales@winpin.net

FAX: +86 769 81766192
Http: www.winpin.net

PART NO: H10008-2XXX1

TITLE: 1.00mm Crimp Style Connectors

Specifications
 Voltage rating: 50V AC / DC
 Current rating: 1A AC / DC
 Withstanding voltage: 250V AC/minute
 Insulation resistance: ≥100MΩ
 Contact resistance: ≤20MΩ
 After environmental testing: ≤40MΩ
 Temperature range: -25°C~+85°C
 Applicable Terminal: T10008-PXX1

MATERIAL:
 Insulation material :PA66 (UL94V-0)

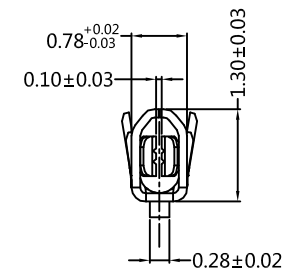
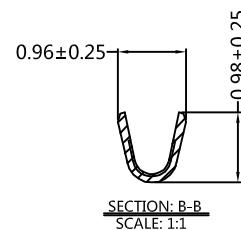
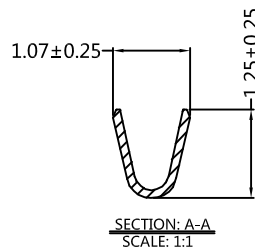
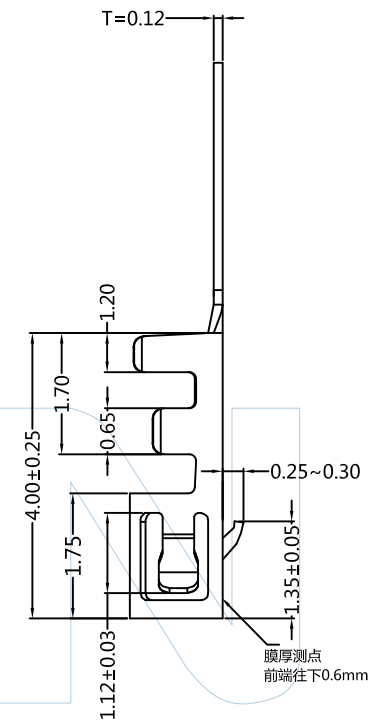
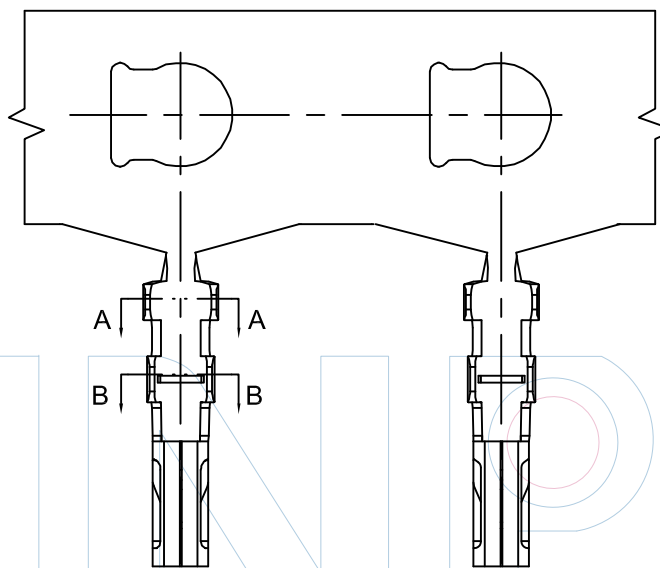
UNLESS OTHERWISE SPECIFIED DIMENSIONS ARE IN METRIC
 TOLERANCES ARE:
 DECIMALS Angle
 X.X: ±0.40 ± 3°
 X.XX: ±0.25
 X.XXX: ±0.15

SCALE 1:1
 UNIT MM
 PROJ.
 SHEET

A0	2021/09/17	NEW	GF.He	Andy
REV	DATE	MODIFICATION DESCRIPTIO	DRAW	CHANGE APPROVE

PART NUMBER CODING
T10008-P XX 1

Contact plating
SN: Tin



Tel: +86 769 82581808 FAX: +86 769 81766192
E-Mail: sales@winpin.net Http: www.winpin.net

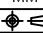
PART NO: T10008-PXX1

TITLE: 1.00mm Crimp Style Connectors Terminal

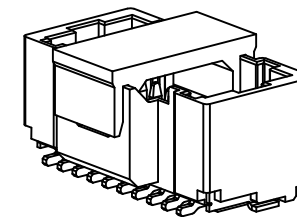
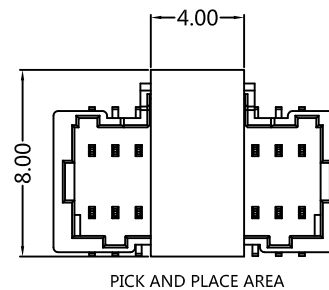
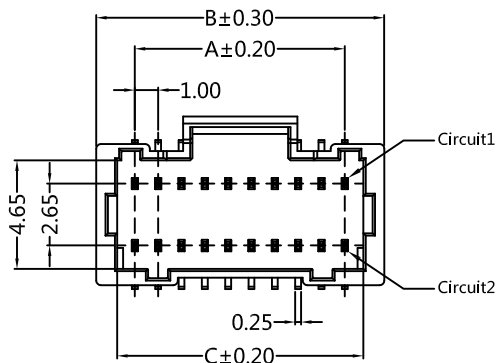
Specifications
Voltage rating: 50V AC / DC
Current rating: 1A AC / DC
Withstanding voltage: 250V AC/minute
Insulation resistance: ≥100MΩ
Contact resistance: ≤20MΩ
After environmental testing: ≤40MΩ
Temperature range: -25°C~+85°C
Applicable wires: AWG #28~#32
Insulation O.D: 0.8mm (Max)
Applicable Housing: H10008-2XXX1

MATERIAL:
Material: Phosphor Bronze
Finish: Tin Plated or Gold Plated over Nickel

UNLESS OTHERWISE SPECIFIED DIMENSIONS ARE IN METRIC
TOLERANCES ARE:
DECIMALS Angle
X.X: ±0.40 ± 3°
X.XX: ±0.25
X.XXX: ±0.15

SCALE: 1:1
UNIT: MM
PROJ. 
SHEET

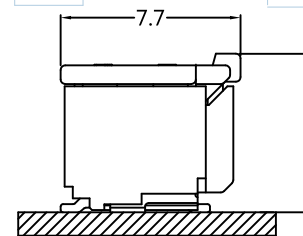
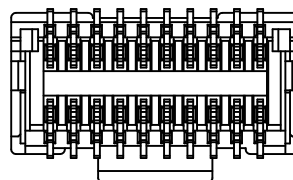
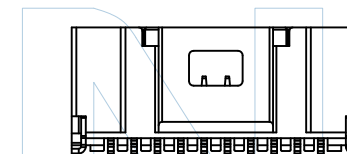
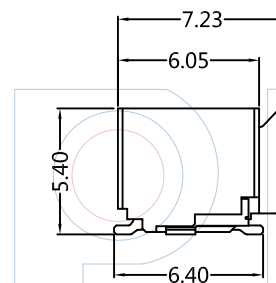
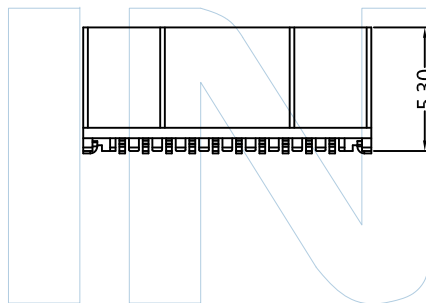
A0	2021/09/17	NEW	GF.He	Andy	
REV	DATE	MODIFICATION DESCRIPTION	DRAW	CHANGE	APPROVE



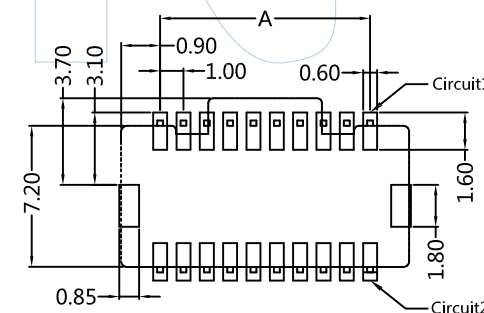
PART NUMBER CODING
W10008-2 XX M XX X X 1

No. of pins: 10-25
 Contact plating: SN: Tin
 Color: E=Brige
 Packing: R=Tape&Reel+CAP

Pins	Dimensions		
	A	B	C
2*10	9.00	12.35	10.55
2*12	11.00	14.35	12.55
2*15	14.00	17.35	15.55
2*20	19.00	22.35	20.55
2*25	24.00	27.35	25.55



Assembly Layout



Recommended P.C.B Layout (Top Side)
 (PCB BOARD TOLERANCE ±0.05)



Tel: +86 769 82581808 FAX: +86 769 81766192
 E-Mail: sales@winpin.net Http: www.winpin.net

PART NO: W10008-2XXMXXX1

TITLE: 1.00mm Crimp Style Connectors

SPECIFICATIONS :
 Voltage rating: 50V AC / DC
 Current rating: 0.8A AC / DC
 Withstanding voltage: 250V AC/minute
 Insulation resistance: ≥100MΩ
 Contact resistance: ≤20MΩ
 After environmental testing: ≤30MΩ
 Temperature range: -25°C~+85°C
 Applicable Housing: H10008-2XXX1
 Applicable Terminal: T10008-PXX1

Contact Material: Phosphor Bronze
 Contact Plating: Au or Sn over Ni
 Solder tab: Brass
 Solder Plating: Sn over Ni
 Insulator Material: PA4T UL94V-0

UNLESS OTHERWISE SPECIFIED DIMENSIONS ARE IN METRIC
 TOLERANCES ARE:
 DECIMALS Angle
 X.X: ±0.40 ± 3°
 X.XX: ±0.25
 X.XXX: ±0.15

SCALE: 1:1
 UNIT: MM
 PROJ.
 SHEET

A0	2020/08/25	NEW	Jason.Huang	Jason.Huang
REV	DATE	MODIFICATION DESCRIPTION	DRAW	CHANGE
				APPROVE



PART NUMBER CODING

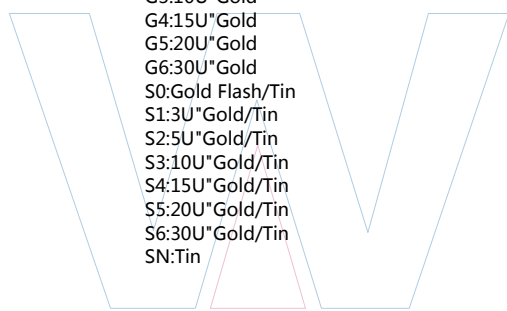
W10008-2 XX Z XX X X 1

No. of pins
10-25

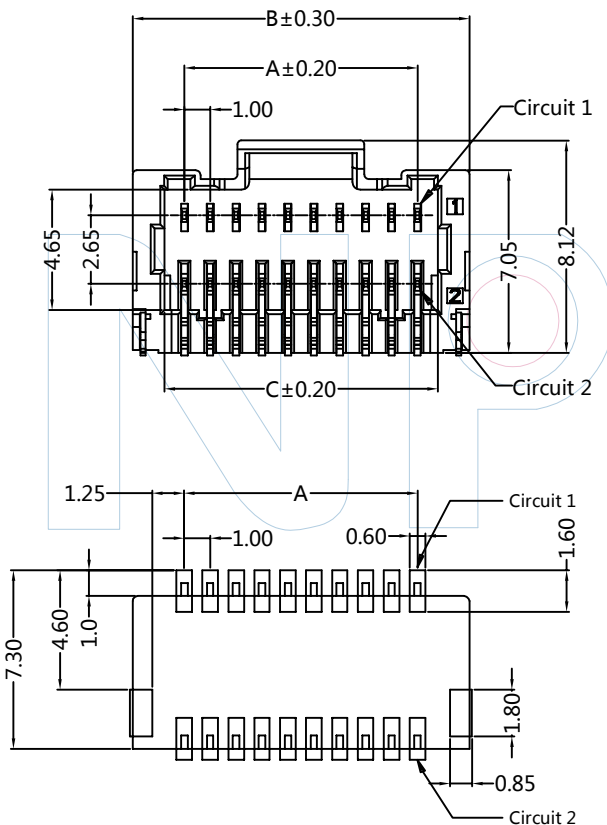
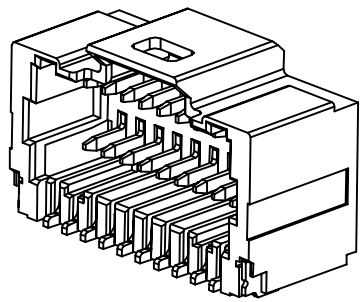
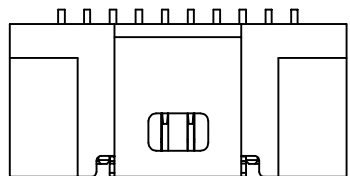
Contact Plating
G0:Gold Flash
G1:3U"Gold
G2:5U"Gold
G3:10U"Gold
G4:15U"Gold
G5:20U"Gold
G6:30U"Gold
S0:Gold Flash/Tin
S1:3U"Gold/Tin
S2:5U"Gold/Tin
S3:10U"Gold/Tin
S4:15U"Gold/Tin
S5:20U"Gold/Tin
S6:30U"Gold/Tin
SN:Tin

Color
E=Brige

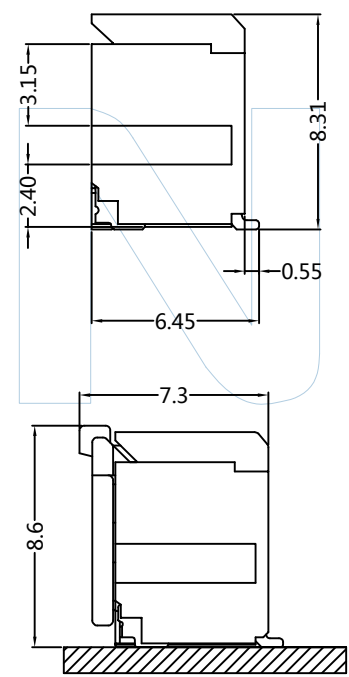
Packing
R=Tape&Reel+CAP



Pins	Dimensions		
	A	B	C
2*10	9.00	13.00	10.55
2*12	11.00	15.00	12.55
2*15	14.00	18.00	15.55
2*20	19.00	23.00	20.55
2*25	24.00	28.00	25.55



Recommended P.C.B Layout(Top Side)
(PCB BOARD TOLERANCE±0.05)



Assembly Layout



Tel:+86 769 82581808 FAX:+86 769 81766192
E-Mail:sales@winpin.net Http://www.winpin.net

PART NO: W10008-2XXZXXX1
TITLE: 1.00mm Crimp Style Connectors

SPECIFICATIONS
Voltage rating: 50V AC / DC
Current Rating:1.0AMP
Withstand Voltage:250V AC/DC
Contact Resistance:20mΩ Max
Insulation Resistance:100MΩ Min
Operation Temperature:-25°C to +85°C
Applicable Wire:AWG#28~#32
Applicable Housing:H10008-2XXX1
Applicable Terminal:T10008-PXX1

MATERIAL:
Contact Material:Phosphor Bronze
Contact Plating:Au or Sn over Ni
Solder tab:Brass
Solder Plating: Sn over Ni
Insulator Material:PA4T+30%G.F (UL94V-0)

UNLESS OTHERWISE SPECIFIED DIMENSIONS ARE IN METRIC
TOLERANCES ARE:
DECIMALS Angle
X.X:±0.40 ± 3°
X.XX:±0.25
X.XXX:±0.15
SCALE 1:1
UNIT MM
PROJ.
SHEET

A0	2021/09/17	NEW	GF.He	Andy	
REV	DATE	MODIFICATION DESCRIPTIO	DRAW	CHANGE	APPROVE