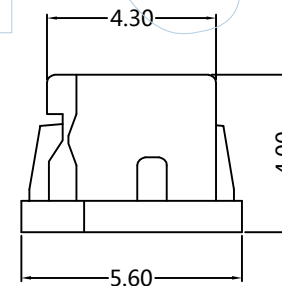
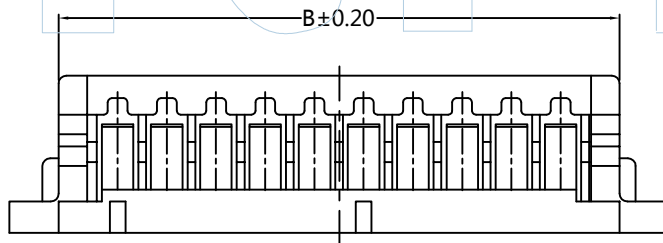
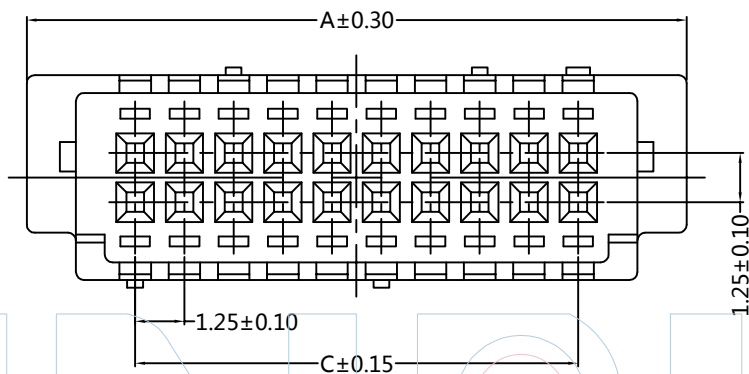




**PART NUMBER CODING**  
**H12503-2 XX X 1**

No. of pins  
 05P  
 10P  
 15P  
 20P  
 25P

Color  
 E=Beige



| Poles | Dimensions(mm) |       |       |
|-------|----------------|-------|-------|
|       | DIM.A          | DIM.B | DIM.C |
| 2x5P  | 10.50          | 8.00  | 5.00  |
| 2x10P | 16.75          | 15.25 | 11.25 |
| 2x15P | 23.00          | 20.50 | 17.50 |
| 2x20P | 29.25          | 26.75 | 23.75 |
| 2x25P | 35.50          | 33.00 | 30.00 |



Tel: +86 769 82581808 FAX: +86 769 81766192  
 E-Mail: sales@winpin.net Http: www.winpin.net

PART NO: H12503-2XXX1

TITLE: DF13 1.25 wafer Housing

NOTES:  
 Current Rating:1.0AMP  
 Withstand Voltage:500V AC/DC  
 Contact Resistance:30mΩ Max  
 Insulation Resistance:500MΩ Min  
 Operation Temperature:-40°C to +85°C  
 Applicable Terminal:T12503-PXX1

Material:  
 Insulator Material:PBT (UL94V-0)

UNLESS OTHERWISE SPECIFIED DIMENSIONS ARE IN METRIC  
 TOLERANCES ARE:  
 DECIMALS Angle  
 X.X:±0.40 ± 3°  
 X.XX:±0.25  
 X.XXX:±0.15

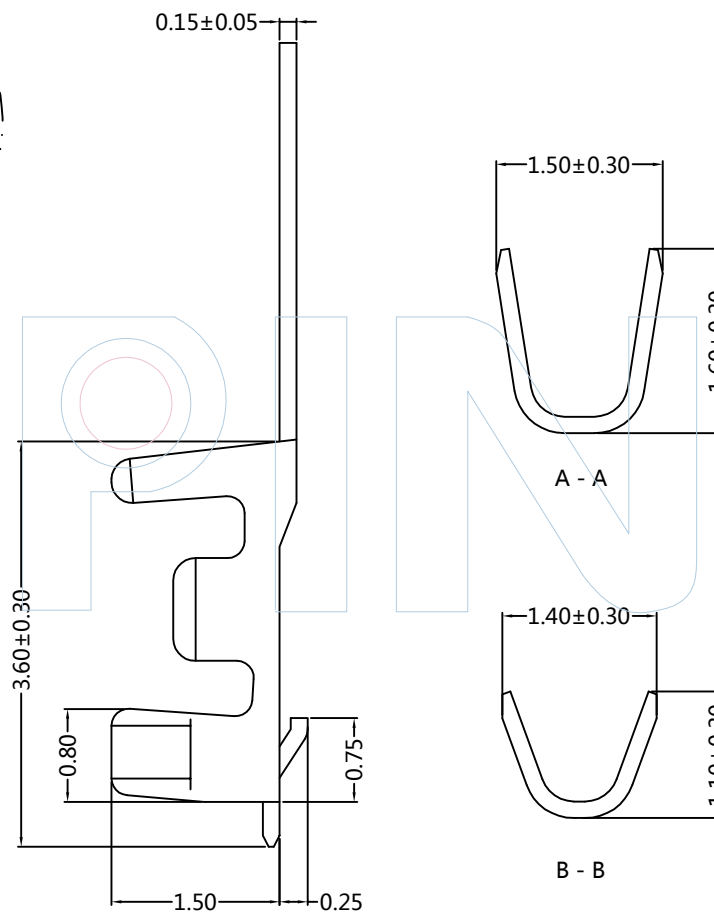
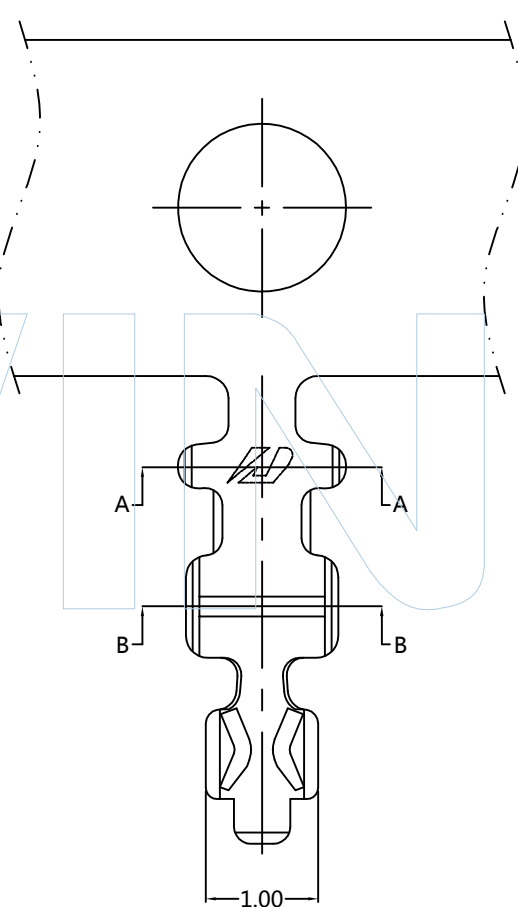
|       |     |
|-------|-----|
| SCALE | 1:1 |
| UNIT  | MM  |
| PROJ. |     |
| SHEET |     |

|     |            |                         |       |        |         |
|-----|------------|-------------------------|-------|--------|---------|
| A0  | 2021/08/25 | NEW                     | GF.He |        | Andy    |
| REV | DATE       | MODIFICATION DESCRIPTIO | DRAW  | CHANGE | APPROVE |



**PART NUMBER CODING**  
**T12503-P XX 1**

Contact plating  
 SN: Tin



Tel: +86 769 82581808 FAX: +86 769 81766192  
 E-Mail: sales@winpin.net Http: www.winpin.net

PART NO: T12503-PXX1

TITLE: DF13 1.25mm TERMINAL

**NOTES:**  
 Current Rating: 1.0AMP  
 Withstand Voltage: 500V AC/DC  
 Contact Resistance: 30mΩ Max  
 Insulation Resistance: 500MΩ Min  
 Operation Temperature: -40°C to +85°C  
 Applicable Wires: AWG26~30#  
 Applicable Housing: H12503-2XXXX

**Material:**  
 Contact Material: Phosphor Bronze  
 (C5191R-H)

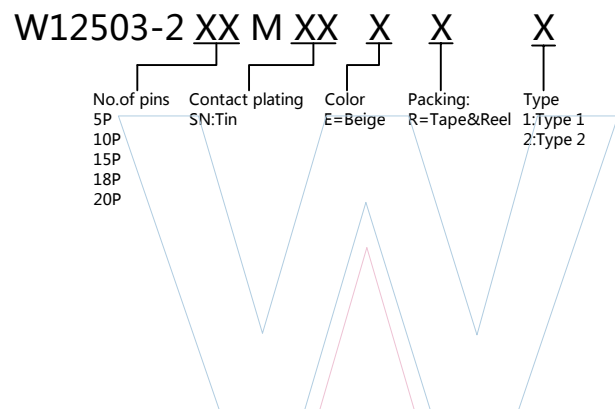
UNLESS OTHERWISE SPECIFIED DIMENSIONS ARE IN METRIC TOLERANCES ARE:  
 DECIMALS Angle  
 X.X: ±0.40 ± 3°  
 X.XX: ±0.25  
 X.XXX: ±0.15

|       |     |
|-------|-----|
| SCALE | 1:1 |
| UNIT  | MM  |
| PROJ. |     |
| SHEET |     |

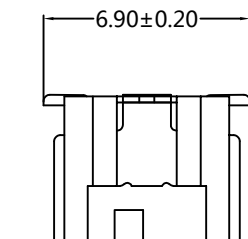
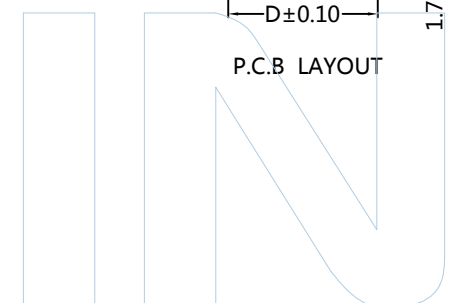
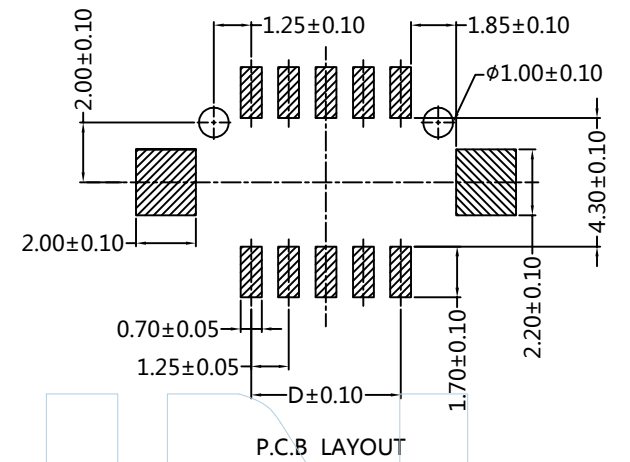
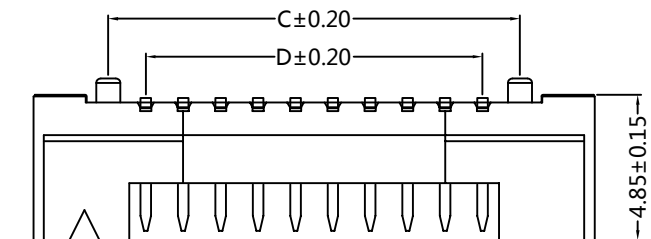
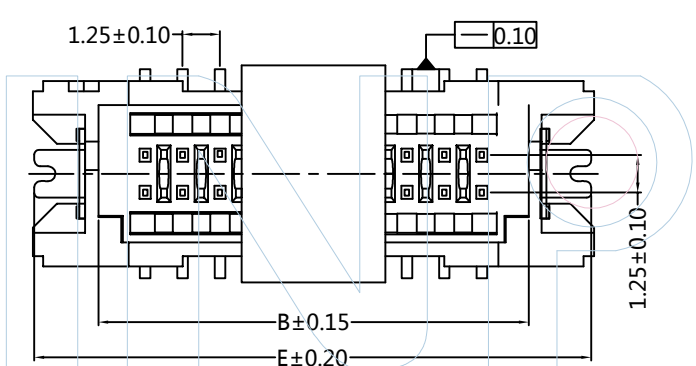
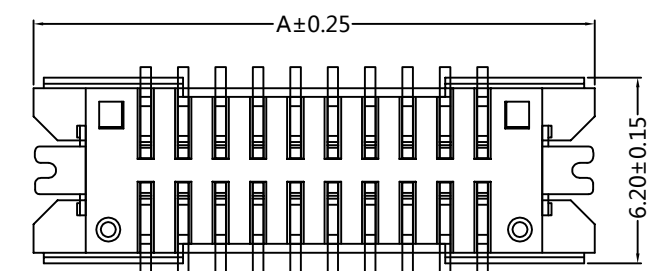
|     |            |                         |       |        |         |
|-----|------------|-------------------------|-------|--------|---------|
| A0  | 2021/08/25 | NEW                     | GF.He | Andy   |         |
| REV | DATE       | MODIFICATION DESCRIPTIO | DRAW  | CHANGE | APPROVE |



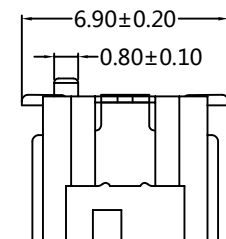
### PART NUMBER CODING



| Poles | Dimensions(mm) |       |       |       |       |
|-------|----------------|-------|-------|-------|-------|
|       | DIM.A          | DIM.B | DIM.C | DIM.D | DIM.E |
| 2x5P  | 12.50          | 8.10  | 7.50  | 5.00  | 12.05 |
| 2x10P | 18.75          | 14.35 | 13.75 | 11.25 | 18.30 |
| 2x15P | 25.00          | 20.60 | 20.00 | 17.50 | 24.55 |
| 2x18P | 28.75          | 24.35 | 23.75 | 21.25 | 28.30 |
| 2x20P | 31.25          | 26.85 | 26.25 | 23.75 | 30.80 |



Type 1



Type 2



Tel: +86 769 82581808 FAX: +86 769 81766192  
 E-Mail: sales@winpin.net Http: www.winpin.net

PART NO: W12503-2XXMXXXX

TITLE: DF13 1.25 Wafer SMT

NOTES:  
 Current Rating:1.0AMP  
 Withstand Voltage:500V AC/DC  
 Contact Resistance:20mΩ Max  
 Insulation Resistance:100MΩ Min  
 Operation Temperature:-40°C to +85°C  
 Applicable Terminal:T12503-XXX1  
 Applicable Housing:H12503-2XXXX

Material:  
 Contact Material:Brass  
 Contact Plating: Tin over Ni  
 Insulator Material:PA9T (UL94V-0)

UNLESS OTHERWISE SPECIFIED DIMENSIONS ARE IN METRIC  
 TOLERANCES ARE:  
 DECIMALS Angle  
 X.X:±0.40 ± 3°  
 X.XX:±0.25  
 X.XXX:±0.15

|       |     |
|-------|-----|
| SCALE | 1:1 |
| UNIT  | MM  |
| PROJ. |     |
| SHEET |     |

|     |            |                         |       |        |         |
|-----|------------|-------------------------|-------|--------|---------|
| A0  | 2021/08/25 | NEW                     | GF.He | Andy   |         |
| REV | DATE       | MODIFICATION DESCRIPTIO | DRAW  | CHANGE | APPROVE |