



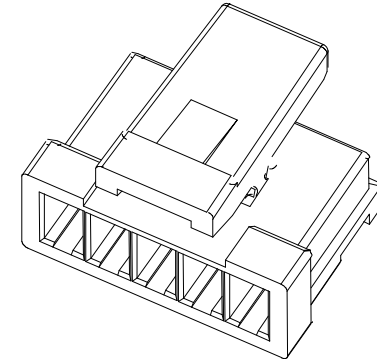
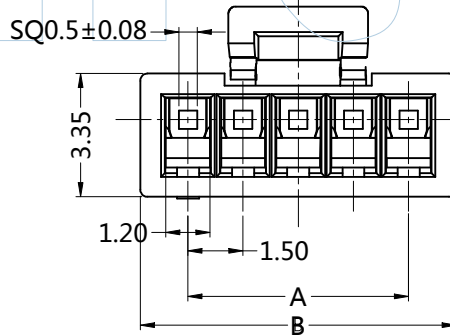
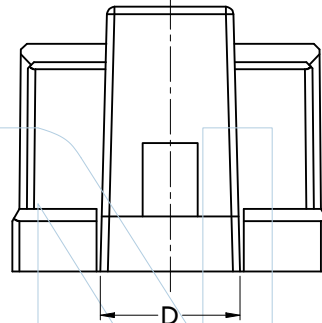
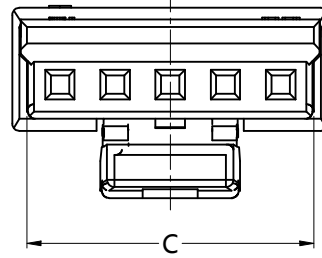
# PART NUMBER CODING

## H15002-1 XX X 2

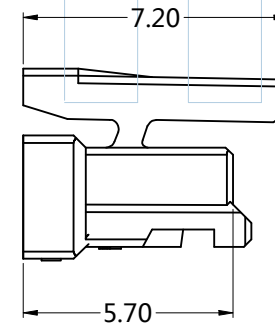
No. of pins  
02-15P

Color  
W=White

Pins	Dimensions			
	A	B	C	
2	1.50	4.10	3.30	2.40
3	3.00	5.60	4.80	2.40
4	4.50	7.10	6.30	3.80
5	6.00	8.60	7.80	3.80
6	7.50	10.10	9.30	3.80
7	9.00	11.60	10.80	3.80
8	10.50	13.10	12.30	5.80
9	12.00	14.60	13.80	5.80
10	13.50	16.10	15.30	5.80
11	15.00	17.60	16.80	5.80
12	16.50	19.10	18.30	5.80
13	18.00	20.60	19.80	5.80
14	19.50	22.10	21.30	5.80
15	21.00	23.60	22.80	5.80



3D View



Tel: +86 769 82581808 FAX: +86 769 81766192  
 E-Mail: sales@winpin.net Http: www.winpin.net

PART NO: H15002-1XXX2

TITLE: 1.50mm Housing

Note:  
 Current Rating: 2.5A  
 Voltage Rating: 50V AC,DC  
 Withstanding Voltage: 500V AC/Minute.  
 Contact Resistance: 20mΩ Max  
 Insulation Resistance: 1000MΩ Min  
 Temperature range: -40°C ~ +105°C

Material:  
 Insulator Material: Nylon 66 UL 94V-0

UNLESS OTHERWISE SPECIFIED DIMENSIONS ARE IN METRIC TOLERANCES ARE:  
 DECIMALS Angle  
 X.X: ±0.40 ± 3°  
 X.XX: ±0.25  
 X.XXX: ±0.15

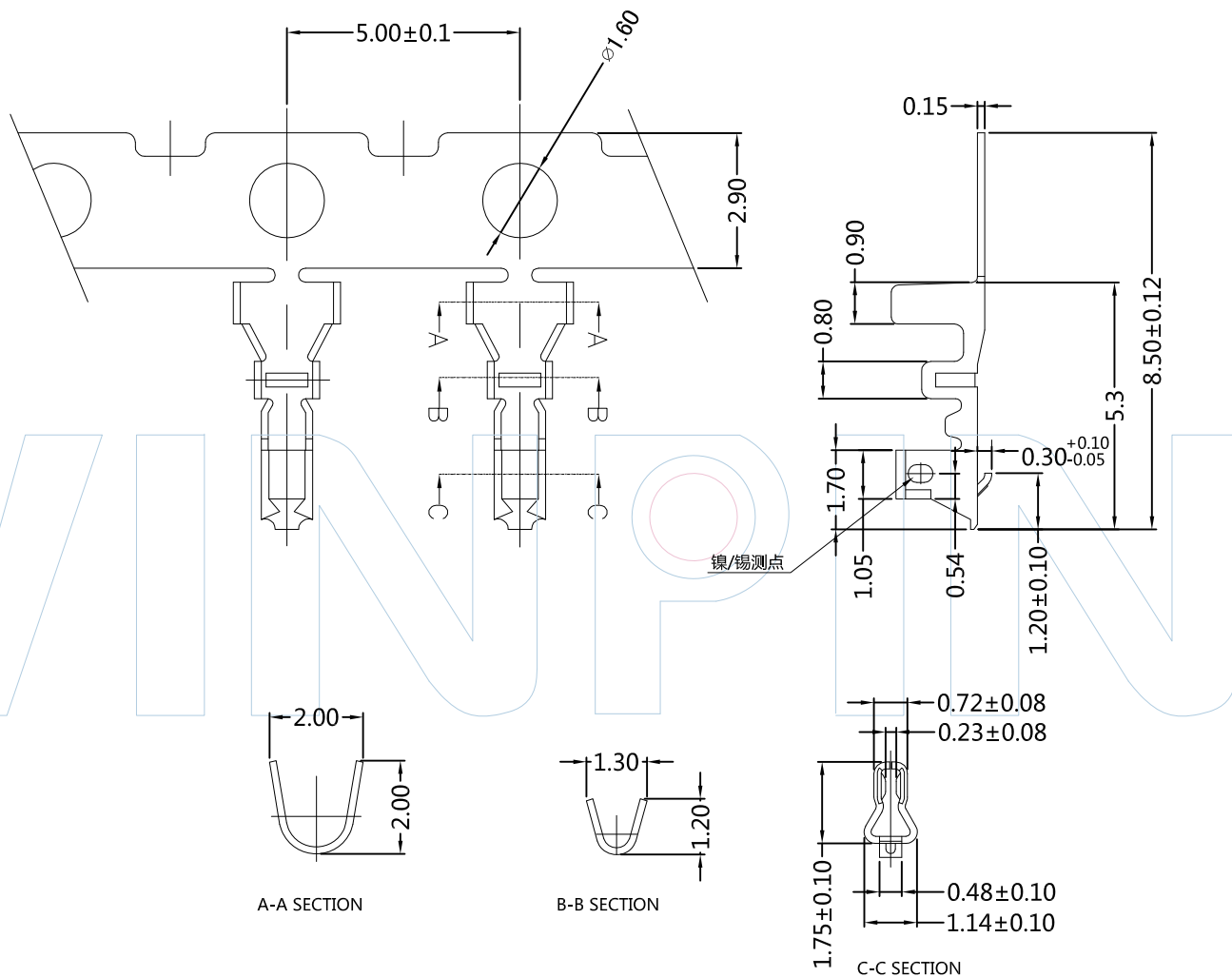
SCALE	1:1
UNIT	MM
PROJ.	
SHEET	

REV	DATE	MODIFICATION DESCRIPTIO	DRAW	CHANGE	APPROVE
A0	2015/06/25	NEW	Hua.ZT		Hua.ZT



**PART NUMBER CODING**  
**T15002-P XX 1**

Contact plating  
SN: Tin



Tel: +86 769 82581808 FAX: +86 769 81766192  
E-Mail: sales@winpin.net Http: www.winpin.net

PART NO: T15002-PXX1

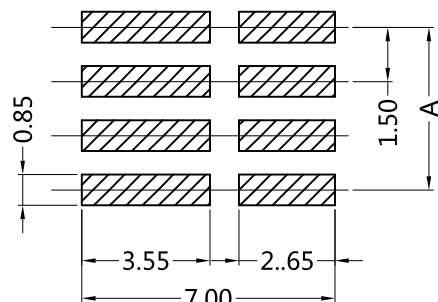
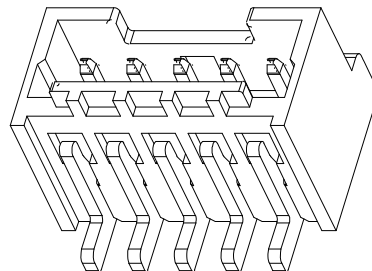
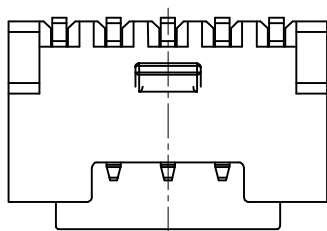
TITLE: MX1.5 Terminal

NOTES:  
Current Rating: 2.5A  
Withstand Voltage: 500V AC/min  
Contact Resistance: 20mΩ Max  
Insulation Resistance: 1000MΩ Min  
Operation Temperature: -40°C to +105°C  
Material: Phosphor bronze  
Applicable Wire: AWG#24~#28  
Applicable Housing: H15002-1XXX1

UNLESS OTHERWISE SPECIFIED DIMENSIONS ARE IN METRIC TOLERANCES ARE:  
DECIMALS Angle  
X.X: ±0.40 ± 3°  
X.XX: ±0.25  
X.XXX: ±0.15

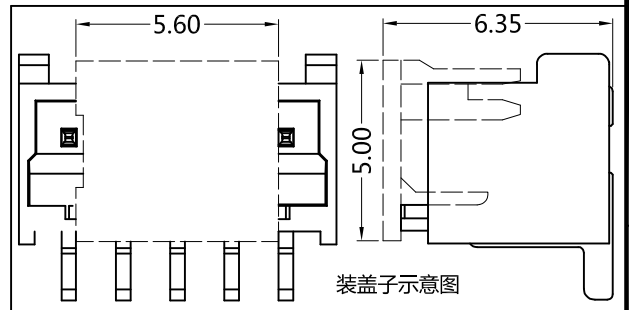
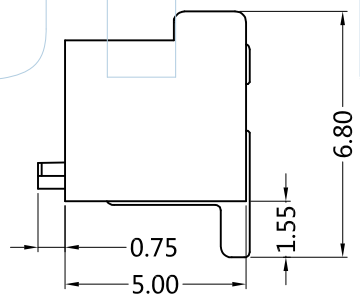
SCALE 1:1  
UNIT MM  
PROJ.   
SHEET

A0	2020/06/25	NEW	Jason.Huang	Jason.Huang	
REV	DATE	MODIFICATION DESCRIPTION	DRAW	CHANGE	APPROVE



Recommended P.C.B Layout(Top Side)  
(PCB BOARD TOLERANCE±0.05)

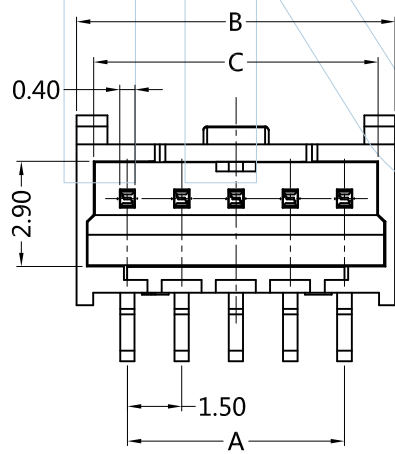
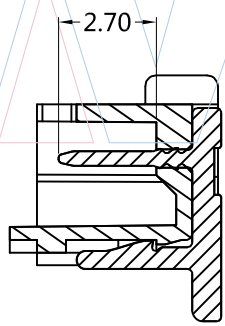
3D View



PART NUMBER CODING

W15002-1 XX M XX X X 2

No.of pins: 02-15P  
Contact plating SN: Tin  
Color E=Beige  
Packing: R=Tape&Reel+CAP



Pins	Dimensions		
	A	B	C
2	1.50	4.30	3.35
3	3.00	5.80	4.85
4	4.50	7.30	6.35
5	6.00	8.80	7.85
6	7.50	10.30	9.35
7	9.00	11.80	10.85
8	10.50	13.30	12.35
9	12.00	14.80	13.85
10	13.50	16.30	15.35
11	15.00	17.80	16.85
12	16.50	19.30	18.35
13	18.00	20.80	19.85
14	19.50	22.30	21.35
15	21.00	23.80	22.85



Tel: +86 769 82581808 FAX: +86 769 81766192  
E-Mail: sales@winpin.net Http: www.winpin.net

PART NO: W15002-1XXMXXX2

TITLE: 1.50 Wafer 180°SMT

NOTES:  
Current Rating:2.5A  
Withstand Voltage:500V AC/min  
Contact Resistance:20mΩ Max  
Insulation Resistance:1000MΩ Min  
Temperature Range:-40°C to +105°C  
Applicable Housing:H15002-1XXX2  
Applicable Terminal:T15002-PXX2

Material  
Contact Material:Brass  
Contact Plating: Au or Sn over Ni  
Insulator Material:PA6T(UL94V-0)

UNLESS OTHERWISE SPECIFIED DIMENSIONS ARE IN METRIC TOLERANCES ARE:  
DECIMALS Angle  
X.X:±0.40 ± 3°  
X.XX:±0.25  
X.XXX:±0.15

SCALE	1:1
UNIT	MM
PROJ.	
SHEET	

A0	2015/06/25	NEW	Hua.ZT	Hua.ZT	
REV	DATE	MODIFICATION DESCRIPTIO	DRAW	CHANGE	APPROVE



### PART NUMBER CODING

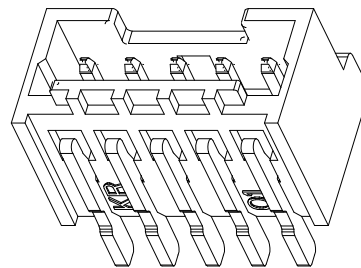
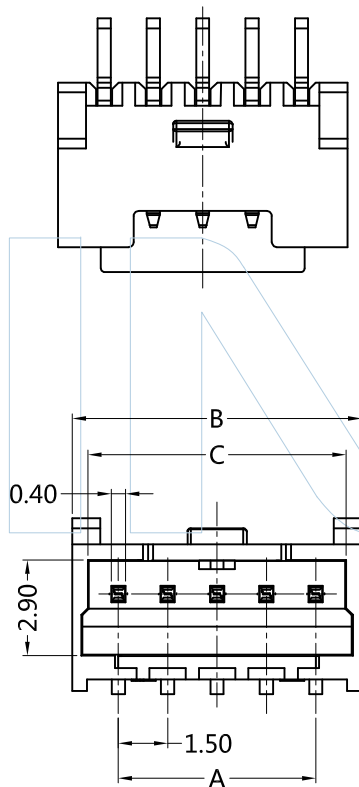
W15002-1 XX Z XX X X 2

No.of pins  
02-15P

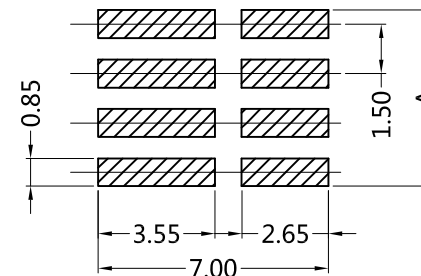
Contact plating  
SN: Tin

Color  
E=Beige

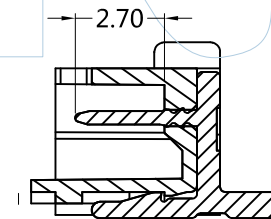
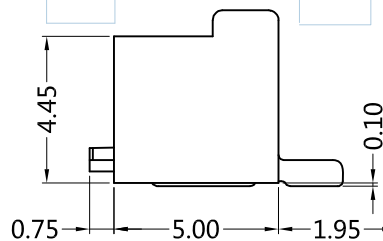
Packing:  
R=Tape&Reel+CAP



3D View



Recommended P.C.B Layout(Top Side)  
(PCB BOARD TOLERANCE±0.05)



Pins	Dimensions		
	A	B	C
2	1.50	4.30	3.35
3	3.00	5.80	4.85
4	4.50	7.30	6.35
5	6.00	8.80	7.85
6	7.50	10.30	9.35
7	9.00	11.80	10.85
8	10.50	13.30	12.35
9	12.00	14.80	13.85
10	13.50	16.30	15.35
11	15.00	17.80	16.85
12	16.50	19.30	18.35
13	18.00	20.80	19.85
14	19.50	22.30	21.35
15	21.00	23.80	22.85



Tel:+86 769 82581808 FAX:+86 769 81766192  
E-Mail:sales@winpin.net Http://www.winpin.net

PART NO: W15002-1XXZXXX2

TITLE: 1.50 Wafer 90°SMT

NOTES:  
Current Rating:2.5A  
Withstand Voltage:500V AC/min  
Contact Resistance:20mΩ Max  
Insulation Resistance:1000MΩ Min  
Temperature Range:-40°C to +105°C  
Applicable Housing:H15002-1XXX2  
Applicable Terminal:T15002-PXX2

Material  
Contact Material:Brass  
Contact Plating: Au or Sn over Ni  
Insulator Material:PA6T(UL94V-0)

UNLESS OTHERWISE SPECIFIED DIMENSIONS ARE IN METRIC TOLERANCES ARE:  
DECIMALS Angle  
X.X:±0.40 ± 3°  
X.XX:±0.25  
X.XXX:±0.15

SCALE	1:1
UNIT	MM
PROJ.	
SHEET	

A0	2015/06/25	NEW	Hua.ZT	Hua.ZT	
REV	DATE	MODIFICATION DESCRIPTION	DRAW	CHANGE	APPROVE