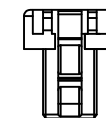
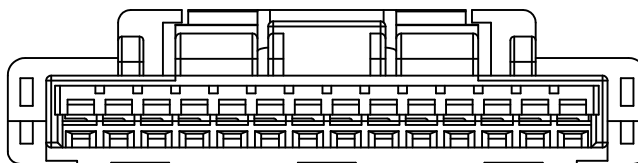
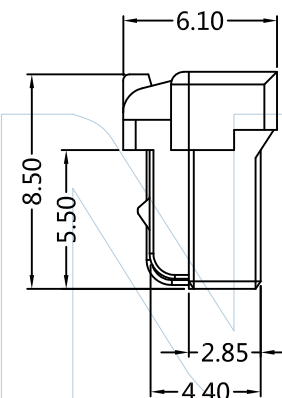
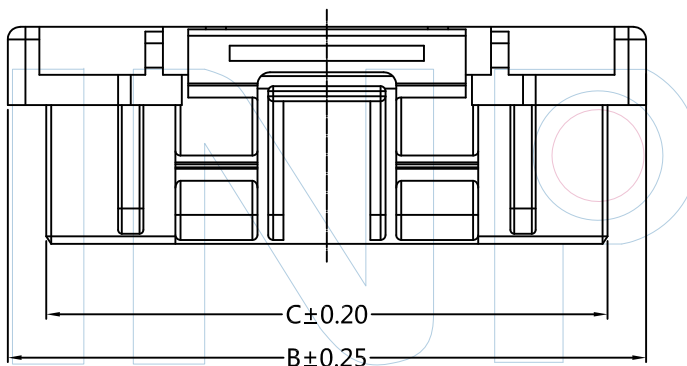


3D View

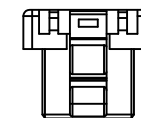
PART NUMBER CODING

H15008-1 XX X 1

No. of pins
02-15P Color
W=White



02P-03P Shape
Scale 1:2



04P-05P Shape
Scale 1:2

Pins	Dimensions		
	A	B	C
2	1.50	7.30	4.25
3	3.00	8.80	5.75
4	4.50	10.30	7.25
5	6.00	11.80	8.75
6	7.50	13.30	10.25
7	9.00	14.80	11.75
8	10.50	16.30	13.25
9	12.00	17.80	14.75
10	13.50	19.30	16.25
11	15.00	20.80	17.75
12	16.50	22.30	19.25
13	18.00	23.80	20.75
14	19.50	25.30	22.25
15	21.00	26.80	23.75



Tel: +86 769 82581808 FAX: +86 769 81766192
E-Mail: sales@winpin.net Http: www.winpin.net

PART NO: H15008-1XXX1

TITLE: 1.50mm Housing

NOTES:
Current Rating:2.0A
Voltage Rating:100V AC/DC
Withstand Voltage:500V AC/min
Contact Resistance:20mΩ Max
Insulation Resistance:500MΩ Min
Temperature Range:-40°C to +85°C
Applicable Terminal:T15008-PXX1

Material
Insulation Material:PBT or PA66(UL94V-0)

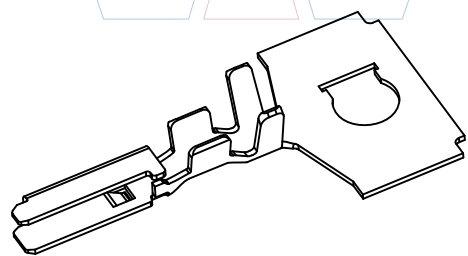
UNLESS OTHERWISE SPECIFIED DIMENSIONS ARE IN METRIC TOLERANCES ARE:
DECIMALS Angle
X.X:±0.40 ± 3°
X.XX:±0.25
X.XXX:±0.15

SCALE 1:1
UNIT MM
PROJ.

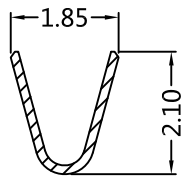
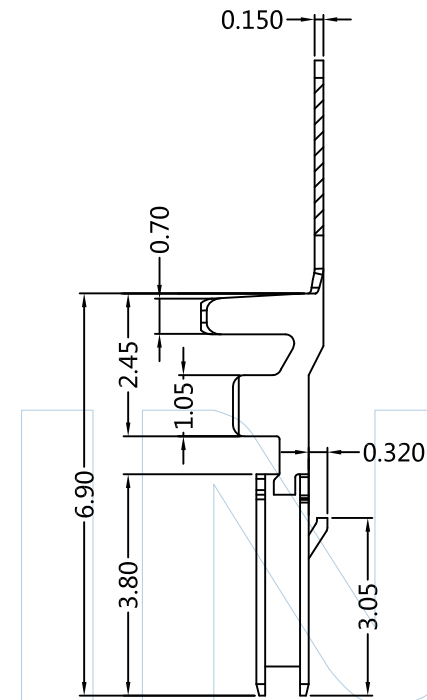
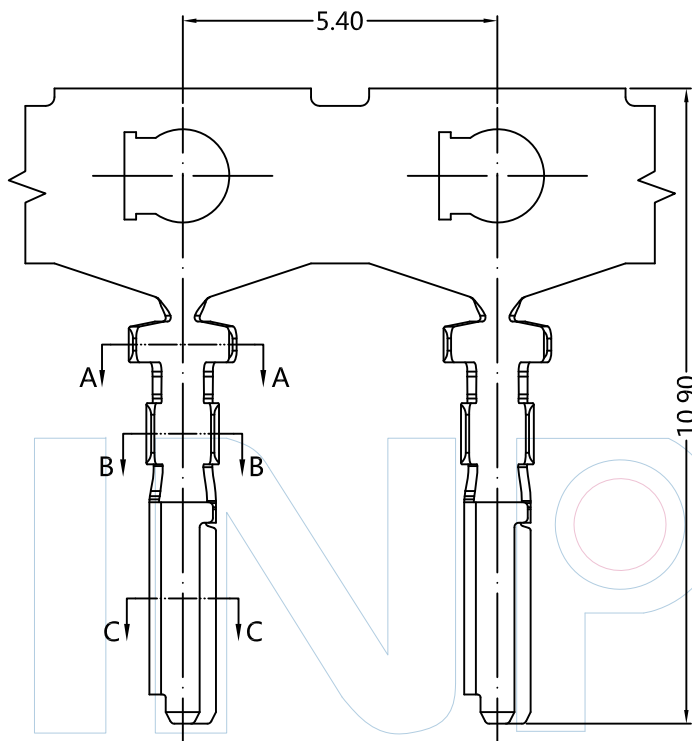
A0	2021/08/02	NEW	GF.He	Andy	
REV	DATE	MODIFICATION DESCRIPTION	DRAW	CHANGE	APPROVE

PART NUMBER CODING
T15008-P XX 1

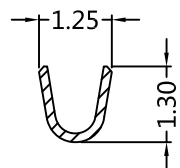
Contact plating
 SN: Tin



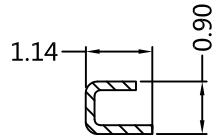
3D View



SECTION-A-A
 SCALE: 1:1



SECTION-B-B
 SCALE: 1:1



SECTION-C-C
 SCALE: 1:1



Tel: +86 769 82581808 FAX: +86 769 81766192
 E-Mail: sales@winpin.net Http://www.winpin.net

PART NO: T15008-PXX1

TITLE: 1.50mm Terminal

NOTES:

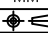
Current Rating: 2.0A
 Voltage Rating: 100V AC/DC
 Withstand Voltage: 500V AC/min
 Contact Resistance: 20mΩ Max
 Insulation Resistance: 500MΩ Min
 Operation Temperature: -40°C to +85°C
 Wire range: AWG #24-#28
 OD: 1.28mm Max
 Applicable Housing: H15008-1XXX1

Material

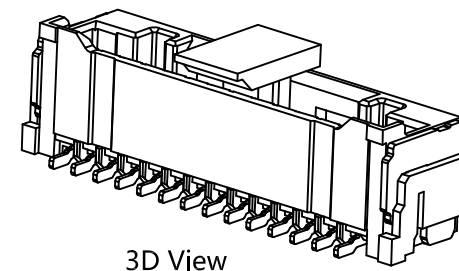
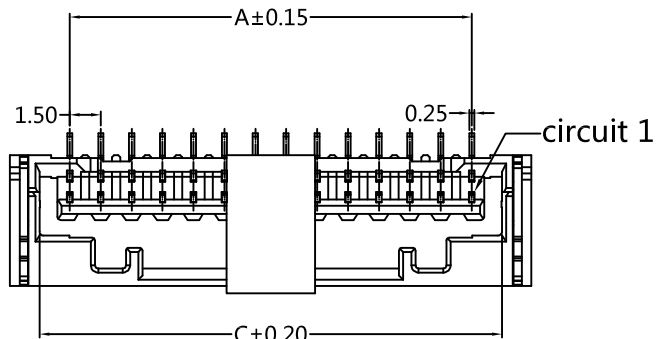
Material: Phosphor Bronze
 Plating: Tin over Nickel Plated

UNLESS OTHERWISE SPECIFIED DIMENSIONS ARE IN METRIC TOLERANCES ARE:

DECIMALS Angle
 X.X: ±0.40 ± 3°
 X.XX: ±0.25
 X.XXX: ±0.15

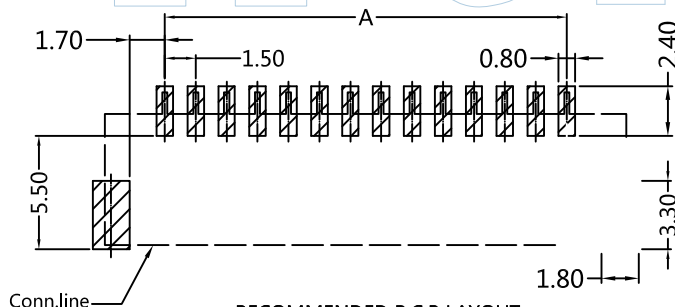
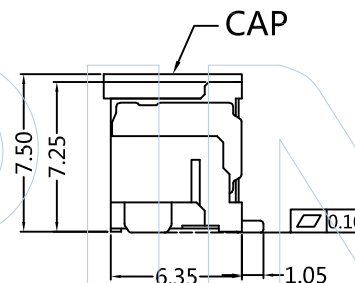
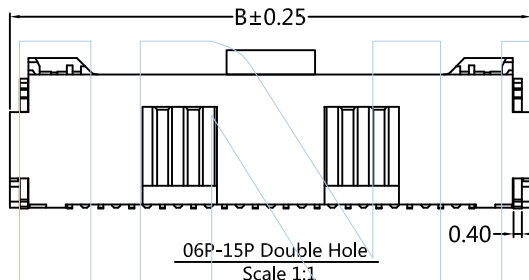
SCALE 1:1
 UNIT MM
 PROJ. 
 SHEET

A0	2021/08/02	NEW	GF.He	Andy	
REV	DATE	MODIFICATION DESCRIPTION	DRAW	CHANGE	APPROVE

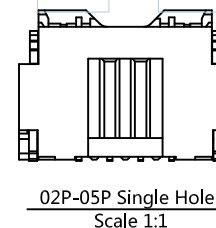


PART NUMBER CODING
W15008-1 XX M XX X X 1

No. of pins: 02-15P
 Contact plating: SN: Tin
 Color: B=Black
 Packing: R=Tape&Reel+CAP



RECOMMENDED P.C.B LAYOUT
 (TOLERANCE:±0.05)



Pins	Dimensions		
	A	B	C
2	1.50	7.30	4.45
3	3.00	8.80	5.95
4	4.50	10.30	7.45
5	6.00	11.80	8.95
6	7.50	13.30	10.45
7	9.00	14.80	11.95
8	10.50	16.30	13.45
9	12.00	17.80	14.95
10	13.50	19.30	16.45
11	15.00	20.80	17.95
12	16.50	22.30	19.45
13	18.00	23.80	20.95
14	19.50	25.30	22.45
15	21.00	26.80	23.95



Tel: +86 769 82581808 FAX: +86 769 81766192
 E-Mail: sales@winpin.net Http: www.winpin.net

PART NO: W15008-1XXMXXX1

TITLE: 1.50 Wafer 180°SMT

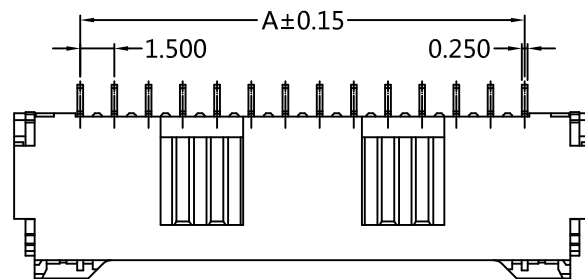
NOTES:
 Current Rating: 2.0A
 Withstand Voltage: 500V AC/min
 Contact Resistance: 20mΩ Max
 Insulation Resistance: 500MΩ Min
 Temperature Range: -40°C to +85°C
 Applicable Housing: H15008-1XXX1
 Applicable Terminal: T15008-PXX1

Material
 Contact Material: Phosphor Bronze
 Contact Plating: Au or Sn over Ni
 Insulator Material: LCP (UL94V-0)

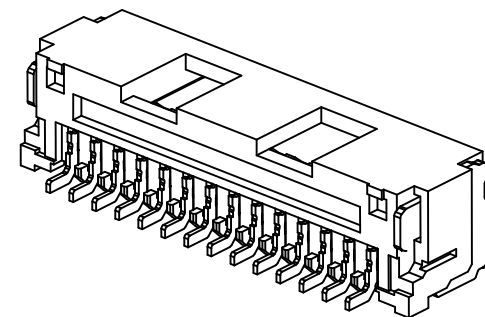
UNLESS OTHERWISE SPECIFIED DIMENSIONS ARE IN METRIC
 TOLERANCES ARE:
 DECIMALS Angle
 X.X: ±0.40 ± 3°
 X.XX: ±0.25
 X.XXX: ±0.15

SCALE	1:1
UNIT	MM
PROJ.	
SHEET	

A0	2018/06/25	NEW	Jason.Huang		Jason.Huang
REV	DATE	MODIFICATION DESCRIPTION	DRAW	CHANGE	APPROVE



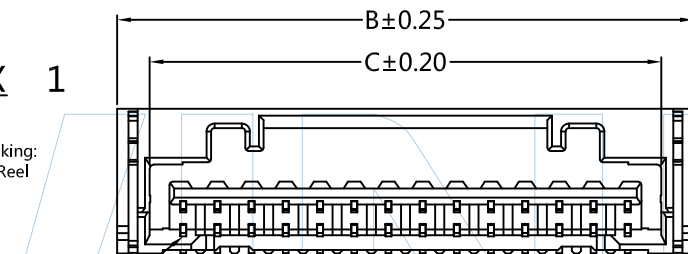
06P-15P Double Hole
Scale 1:1



3D View

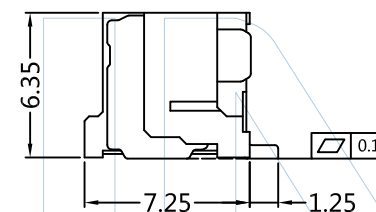
PART NUMBER CODING
W15008-1 XX Z XX X X 1

No. of pins: 02-15P
Contact plating: SN: Tin
Color: E=Beige
Packing: R=Reel

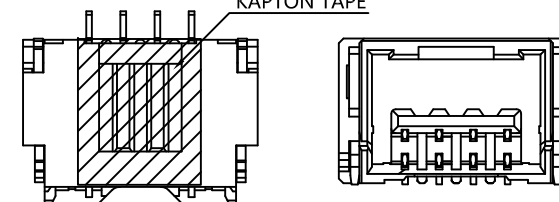


Circuit 1

0.400

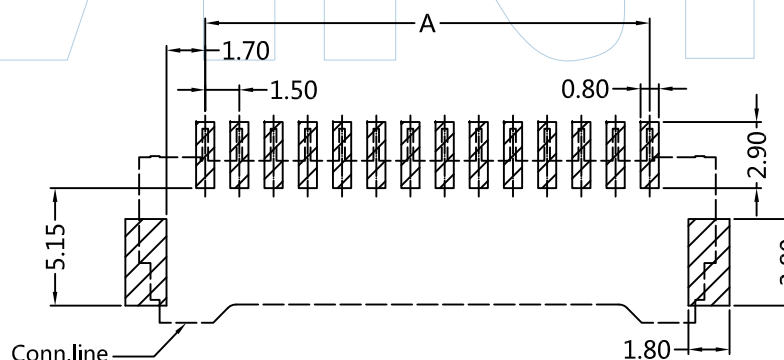


02-05P With KAPTON TAPE



02P-05P Single Hole
Scale 1:1

Pins	Dimensions		
	A	B	C
2	1.50	7.30	4.45
3	3.00	8.80	5.95
4	4.50	10.30	7.45
5	6.00	11.80	8.95
6	7.50	13.30	10.45
7	9.00	14.80	11.95
8	10.50	16.30	13.45
9	12.00	17.80	14.95
10	13.50	19.30	16.45
11	15.00	20.80	17.95
12	16.50	22.30	19.45
13	18.00	23.80	20.95
14	19.50	25.30	22.45
15	21.00	26.80	23.95



Conn.line

RECOMMENDED P.C.B LAYOUT
(TOLERANCE:±0.05)



Tel: +86 769 82581808 FAX: +86 769 81766192
E-Mail: sales@winpin.net Http: www.winpin.net

PART NO: W15008-1XXZXXX1

TITLE: 1.50mm Crimp Style Connectors

NOTES:

Current Rating: 2.0A
Voltage Rating: 100V AC/DC
Withstand Voltage: 500V AC/min
Contact Resistance: 20mΩ Max
Insulation Resistance: 500MΩ Min
Temperature Range: -40°C to +85°C
Applicable Housing: H15008-1XXX1
Applicable Terminal: T15008-PXX1

Material

Contact Material: Phosphor Bronze
Contact Plating: Au or Sn over Ni
Solder Tabs Material: Brass
Solder Tabs Plating: Au or Sn over Ni
Insulator Material: LCP (UL94V-0)

UNLESS OTHERWISE SPECIFIED DIMENSIONS ARE IN METRIC TOLERANCES ARE:
DECIMALS Angle
X.X: ±0.40 ± 3°
X.XX: ±0.25
X.XXX: ±0.15

SCALE	1:1
UNIT	MM
PROJ.	
SHEET	1/2

A0	2015/06/25	NEW	Hua.ZT		Hua.ZT
REV	DATE	MODIFICATION DESCRIPTION	DRAW	CHANGE	APPROVE