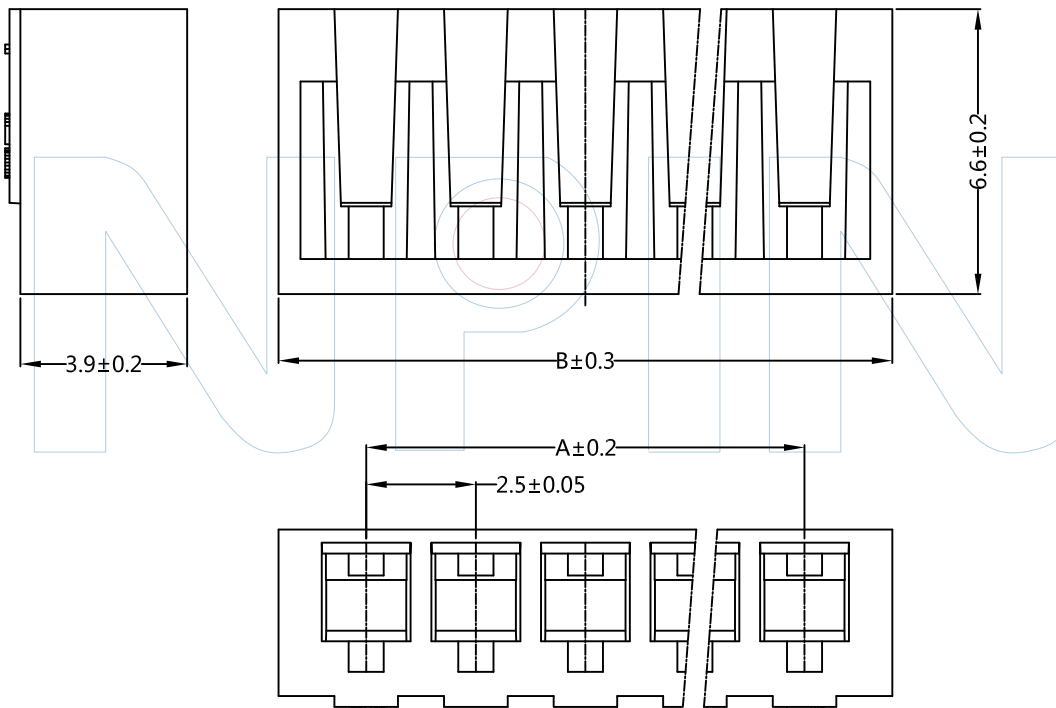




# PART NUMBER CODING H25017-1 XX X 1

No. of pins  
02-15P  
Color  
W=White

Pins	Dimensions	
	A	B
2	2.50	6.50
3	5.00	9.00
4	7.50	11.50
5	10.00	14.00
6	12.50	16.50
7	15.00	19.00
8	17.50	21.50
9	20.00	24.00
10	22.50	26.50
11	25.00	29.00
12	27.50	31.50
13	30.00	34.00
14	32.50	36.50
15	35.00	39.00



Tel: +86 769 82581808 FAX: +86 769 81766192  
E-Mail: sales@winpin.net Http: www.winpin.net

PART NO: H25017-1XXX1

TITLE: SCN 2.5mm Pitch Housing

NOTE:  
Current Rating: 3.0A AC/DC  
Voltage Rating: 250V AC/DC  
Withstand Voltage: 800V AC/Minute  
Insulation Resistance: 1000MΩ Min  
Contact Resistance: 20mΩ Max  
Working Temperature: -25°C~+85°C  
Applicable Terminal: T25017-PXX1

MATERIAL:  
Insulator Material: PA66(UL94V-0)

UNLESS OTHERWISE SPECIFIED DIMENSIONS ARE IN METRIC TOLERANCES ARE:  
DECIMALS Angle  
X.X: ±0.40 ± 3°  
X.XX: ±0.25  
X.XXX: ±0.15

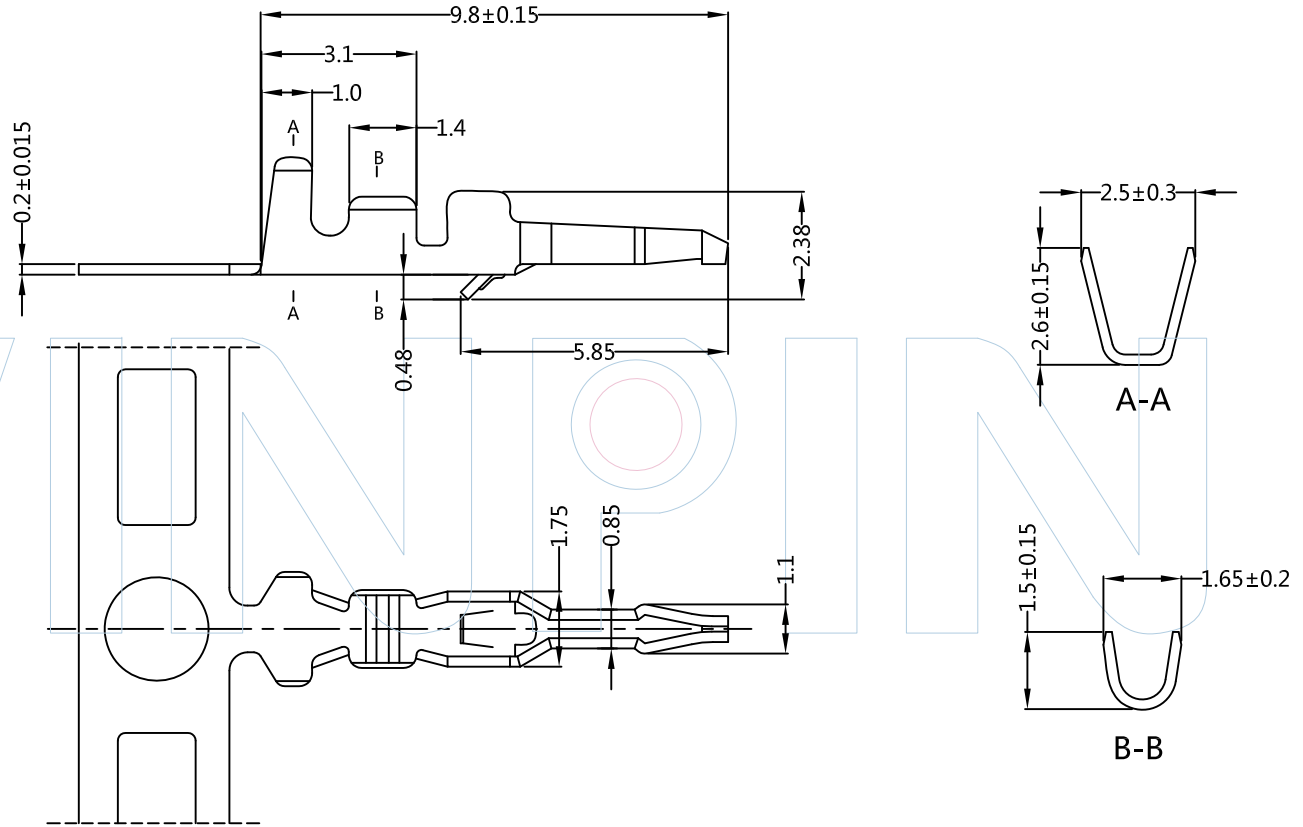
SCALE	1:1
UNIT	MM
PROJ.	
SHEET	

A0	2020/06/25	NEW	Myron.Yuan		Myron.Yuan
REV	DATE	MODIFICATION DESCRIPTION	DRAW	CHANGE	APPROVE



PART NUMBER CODING  
T25017-P XX 1

Contact plating  
SN: Tin



Tel: +86 769 82581808  
E-Mail: sales@winpin.net

FAX: +86 769 81766192  
Http: www.winpin.net

PART NO: T25017-PXX1

TITLE: SCN 2.5mm Terminal

NOTE:  
Current Rating: 3.0A AC/DC  
Voltage Rating: 250V AC/DC  
Withstand Voltage: 1000V AC/Minute  
Insulation Resistance: 800MΩ Min  
Contact Resistance: 20mΩ Max  
Working Temperature: -25°C~+85°C  
Applicable Wire: 28~22AWG  
Applicable Housing: H25022-1XXX1

MATERIAL:  
Contact Material: Phosphor Bronze  
Contact Plating: Sn over Ni

UNLESS OTHERWISE SPECIFIED DIMENSIONS ARE IN METRIC TOLERANCES ARE:  
DECIMALS Angle  
X.X: ±0.40 ± 3°  
X.XX: ±0.25  
X.XXX: ±0.15

SCALE 1:1  
UNIT MM  
PROJ.   
SHEET

A0	2020/06/25	NEW	Myron.Yuan		Myron.Yuan
REV	DATE	MODIFICATION DESCRIPTION	DRAW	CHANGE	APPROVE