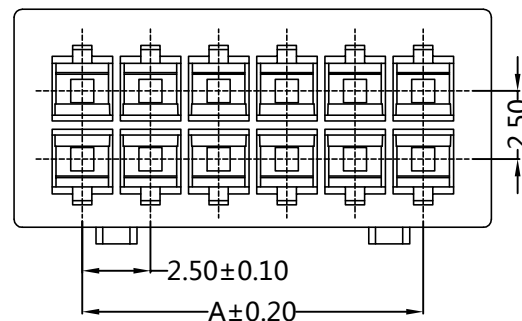
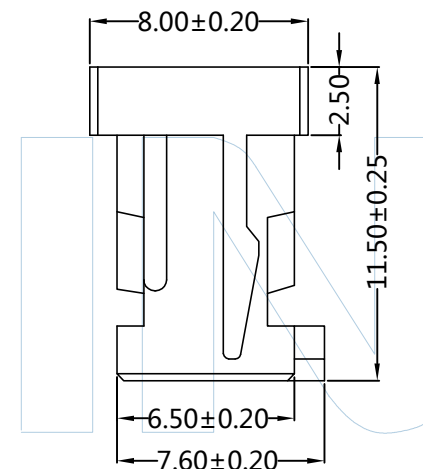
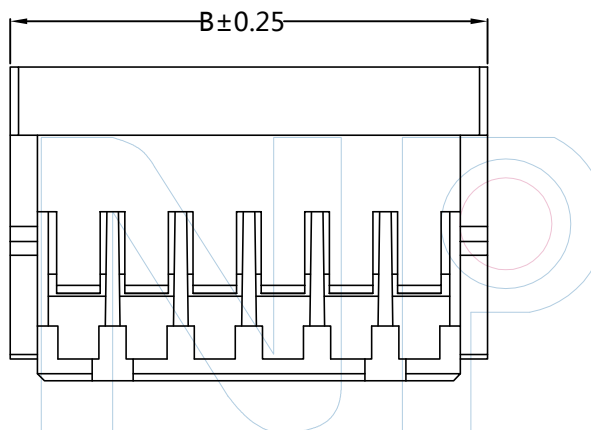


3D View

PART NUMBER CODING H25023-2 XX X 1

No. of pins
02-20P Color
W=White



Pins	Dimensions	
	A	B
2	2.50	7.50
3	5.00	10.00
4	7.50	12.50
5	10.00	15.00
6	12.50	17.50
7	15.00	20.00
8	17.50	22.50
9	20.00	25.00
10	22.50	27.50
11	25.00	30.00
12	27.50	32.50
20	47.50	52.50



Tel: +86 769 82581808 FAX: +86 769 81766192
E-Mail: sales@winpin.net Http: www.winpin.net

PART NO: H25023-2XXX1

TITLE: XHD 2.5mm Housing

Note:
Current Rating: 3A AC, DC
Voltage Rating: 250V AC, DC
Temperature Range: -25°C ~ +85°C
Contact Resistance: 30mΩ Max
Insulation Resistance: 1000mΩ Min
Withstanding Voltage: 800V AC/minute
Applicable Terminal: T25023-PXX1

Material:
Housing: PA66, UL94V-0

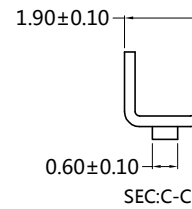
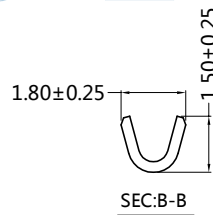
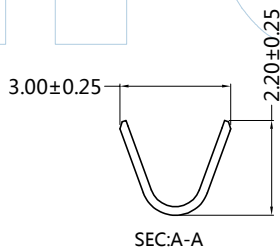
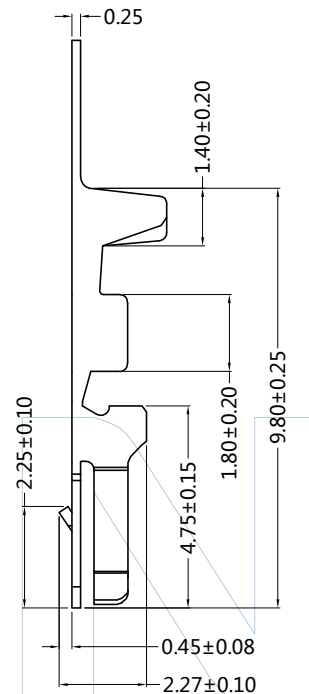
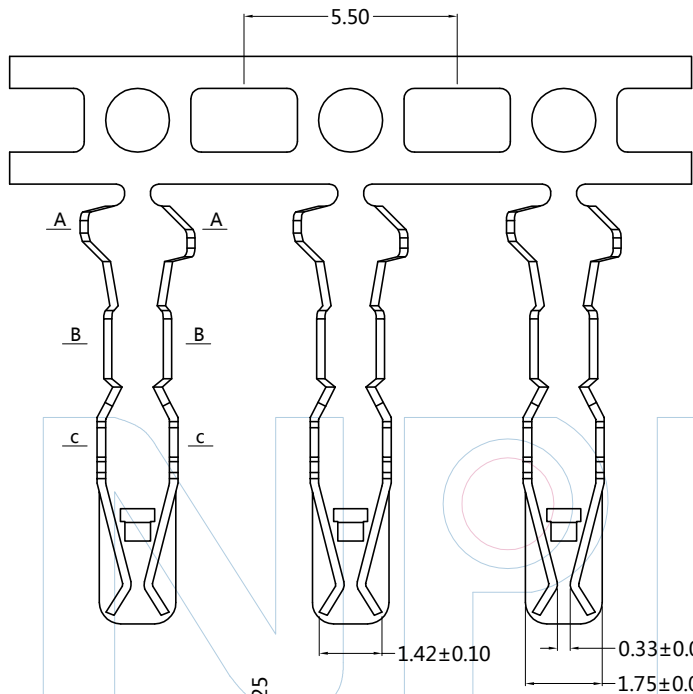
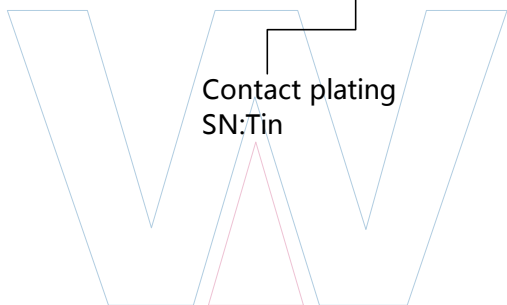
UNLESS OTHERWISE SPECIFIED DIMENSIONS ARE IN METRIC TOLERANCES ARE:
DECIMALS Angle
X.X: ±0.40 ± 3°
X.XX: ±0.25
X.XXX: ±0.15

SCALE 1:1
UNIT MM
PROJ.
SHEET

A0	2021/07/13	NEW	GF.He	Andy	
REV	DATE	MODIFICATION DESCRIPTION	DRAW	CHANGE	APPROVE



PART NUMBER CODING
T25023-P XX 1



Tel:+86 769 82581808 FAX:+86 769 81766192
 E-Mail:sales@winpin.net Http:www.winpin.net

PART NO: T25023-PXX1

TITLE: XHD 2.5mm Terminal

NOTE:
 Current Rating:3A AC/DC
 Voltage Rating:250V AC/DC
 Withstanding Voltang:800V AC/Minute
 Contact Resistance:30mΩ Max
 Insulation Resistance:1000mΩ Min
 Temperatuer Range:-25°C~+85°C
 Applicable Wire:AWG22#~30#
 Applicable Housing:H25023-2XXX1

MATERIAL:
 Contact:Phosphoric Bronze
 Contact Playing:Sn over Ni

UNLESS OTHERWISE SPECIFIED DIMENSIONS ARE IN METRIC TOLERANCES ARE:
 DECIMALS Angle
 X.X:±0.40 ± 3°
 X.XX:±0.25
 X.XXX:±0.15

SCALE 1:1
 UNIT MM
 PROJ.
 SHEET

A0	2021/07/13	NEW	GF.He	Andy	
REV	DATE	MODIFICATION DESCRIPTIO	DRAW	CHANGE	APPROVE



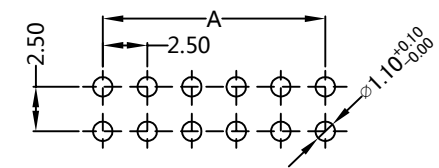
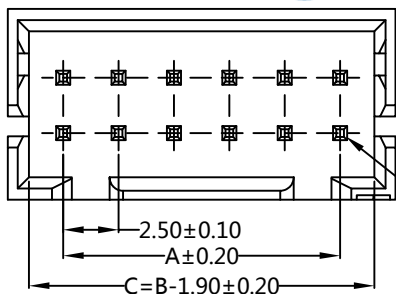
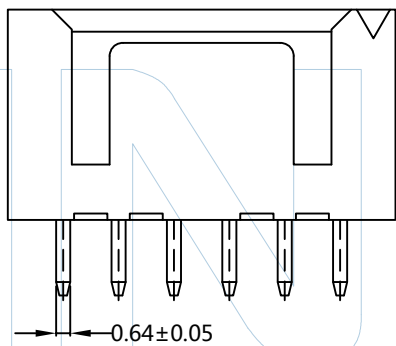
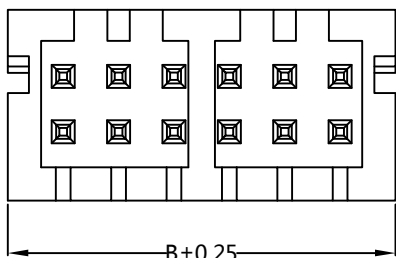
PART NUMBER CODING
W25023-2 XX S XX X X 1

No. of pins
02-20P

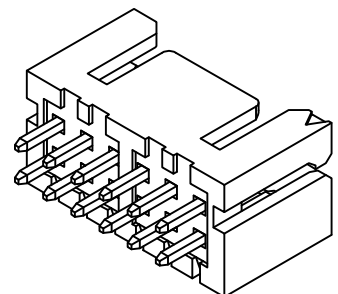
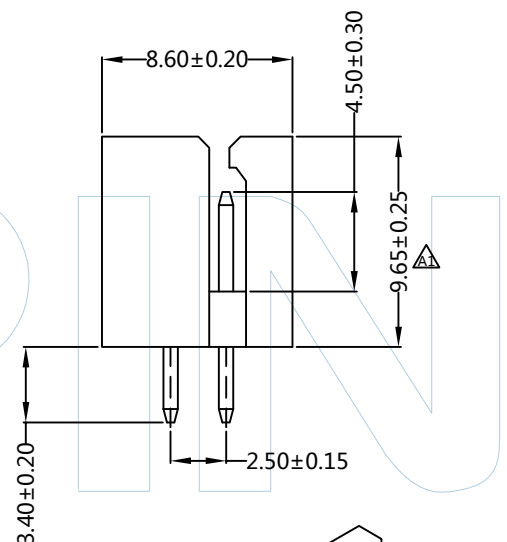
Contact plating
SN: Tin

Color
E=Beige

Packing
B=PE Bag



Recommended P.C.B Layout (Top Side)
(PCB BOARD TOLERANCE ±0.05)



3D View

Pins	Dimensions	
	A	B
2	2.50	7.50
3	5.00	10.00
4	7.50	12.50
5	10.00	15.00
6	12.50	17.50
7	15.00	20.00
8	17.50	22.50
9	20.00	25.00
10	22.50	27.50
11	25.00	30.00
12	27.50	32.50
20	47.50	52.50

WINPIN

Tel: +86 769 82581808 FAX: +86 769 81766192
E-Mail: sales@winpin.net Http: www.winpin.net

PART NO: W25023-2XXSXXXX1
TITLE: XHD 2.5mm Wafer 180°DIP

Note:
Current Rating: 3A AC, DC
Voltage Rating: 250V AC, DC
Temperature Range: -25°C ~ +85°C
Contact Resistance: 30mΩ Max
Insulation Resistance: 1000mΩ Min
Withstanding Voltage: 800V AC/minute
Applicable Terminal: T25023-PXX1
Applicable Housing: H25023-2XXX1

Material:
Contact Material: Brass
Contact Plating: Sn over Ni
Insulator Material: PA66 (UL94V-0)

UNLESS OTHERWISE SPECIFIED DIMENSIONS ARE IN METRIC TOLERANCES ARE:
DECIMALS Angle
X.X: ±0.40 ± 3°
X.XX: ±0.25
X.XXX: ±0.15
SCALE 1:1
UNIT MM
PROJ.

REV	DATE	MODIFICATION DESCRIPTION	DRAW	CHANGE	APPROVE
A1	2023/02/13	尺寸管控变更: 原尺寸9.50±0.25 变更为9.65±0.25	GF.He	_____	Andy
A0	2021/07/13	NEW	GF.He	_____	Andy

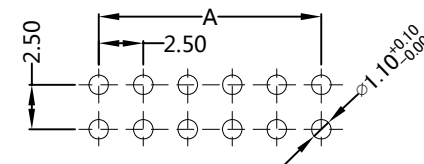
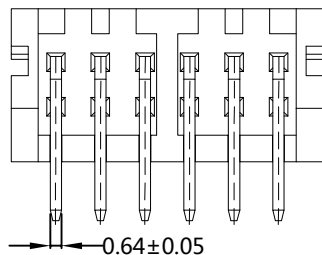


PART NUMBER CODING

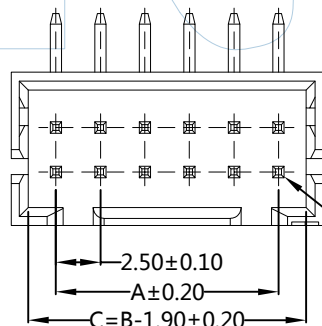
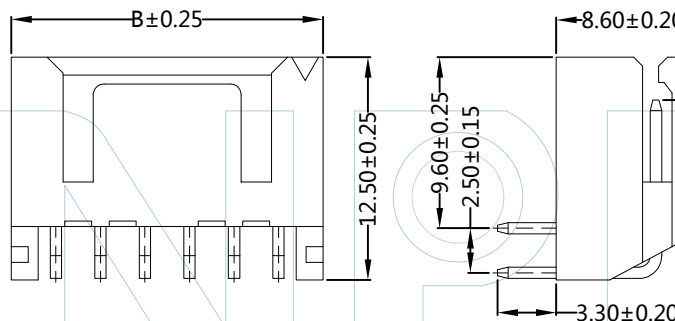
W25023-2 XX R XX X X 1

No. of pins: 02-20P
 Contact plating: SN: Tin
 Color: E=Beige
 Packing: B=PE Bag

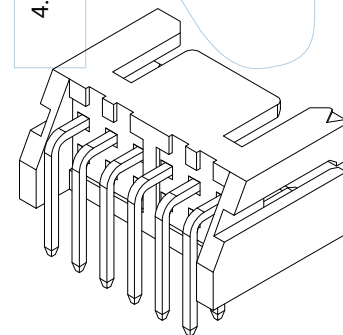
Pins	Dimensions	
	A	B
2	2.50	7.50
3	5.00	10.00
4	7.50	12.50
5	10.00	15.00
6	12.50	17.50
7	15.00	20.00
8	17.50	22.50
9	20.00	25.00
10	22.50	27.50
11	25.00	30.00
12	27.50	32.50
20	47.50	52.50



Recommended P.C.B Layout (Top Side)
 (PCB BOARD TOLERANCE ±0.05)



CONTACT NO.1



3D View



Tel: +86 769 82581808 FAX: +86 769 81766192
 E-Mail: sales@winpin.net Http: www.winpin.net

PART NO: W25023-2XXRXXXX1

TITLE: XHD 2.5mm Wafer 90°DIP

Note:
 Current Rating: 3A AC, DC
 Voltage Rating: 250V AC, DC
 Temperature Range: -25°C ~ +85°C
 Contact Resistance: 30mΩ Max
 Insulation Resistance: 1000mΩ Min
 Withstanding Voltage: 800V AC/minute
 Applicable Terminal: T25023-PXX1
 Applicable Housing: H25023-2XXX1

Material:
 Contact Material: Brass
 Contact Plating: Sn over Ni
 Insulator Material: PA66 (UL94V-0)

UNLESS OTHERWISE SPECIFIED DIMENSIONS ARE IN METRIC TOLERANCES ARE:
 DECIMALS Angle
 X.X: ±0.40 ± 3°
 X.XX: ±0.25
 X.XXX: ±0.15

SCALE: 1:1
 UNIT: MM
 PROJ.
 SHEET

REV	DATE	MODIFICATION DESCRIPTION	DRAW	CHANGE	APPROVE
A0	2021/07/13	NEW	GF.He		Andy