

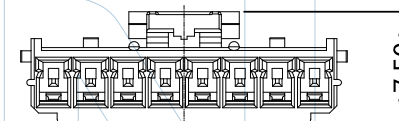
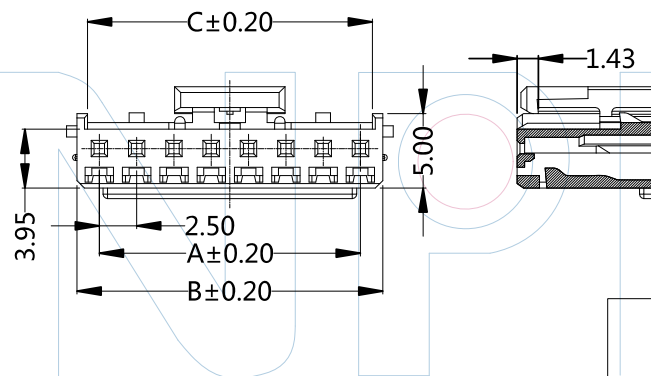
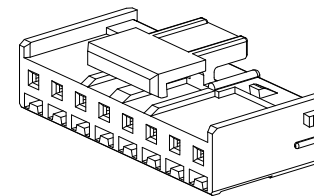
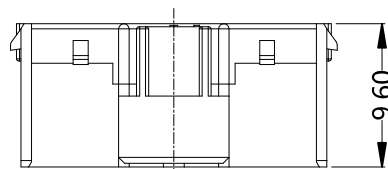


PART NUMBER CODING H25016-1 XX X 1

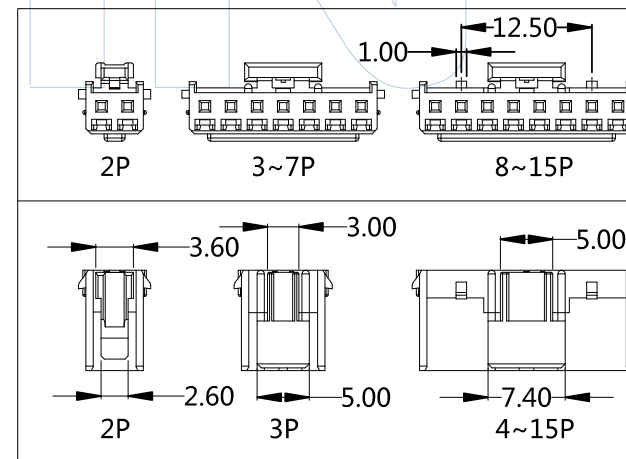
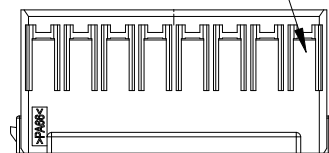
No. of pins
02-15P

Color
W=white

Pins	Dimensions		
	A	B	C
2	2.50	5.50	4.10
3	5.00	8.00	6.60
4	7.50	10.50	9.10
5	10.00	13.00	11.60
6	12.50	15.50	14.10
7	15.00	18.00	16.60
8	17.50	20.50	19.10
9	20.00	23.00	21.60
10	22.50	25.50	24.10
11	25.00	28.00	26.60
12	27.50	30.50	29.10
13	30.00	33.00	31.60
14	32.50	35.50	34.10
15	35.00	38.00	36.60



Circuit 1



Tel: +86 769 82581808 FAX: +86 769 81766192
E-Mail: sales@winpin.net Http: www.winpin.net

PART NO: H25016-1XXX1

TITLE: MX 2.5mm Housing

Note:
Voltage Rating: 250V AC/DC
Withstanding Voltage: 1000V AC/Minute
Temperature Range: -40°C to +125°C
Insulation resistance: ≥100mΩ
Applicable Terminal: T25016-XXXX
Applicable Seal: H25016-1XXX2

Material:
Insulation Material: PA66(UL94V-0)

UNLESS OTHERWISE SPECIFIED DIMENSIONS ARE IN METRIC TOLERANCES ARE:
DECIMALS Angle
X.X: ±0.40 ± 3°
X.XX: ±0.25
X.XXX: ±0.15

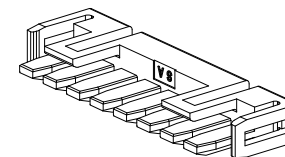
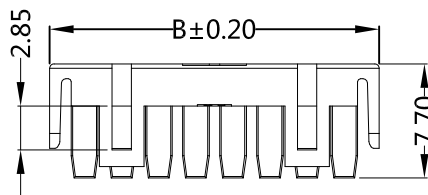
SCALE 1:1
UNIT MM
PROJ.
SHEET

A0	2015/06/25	NEW	Andy	Andy
REV	DATE	MODIFICATION DESCRIPTION	DRAW	CHANGE
				APPROVE

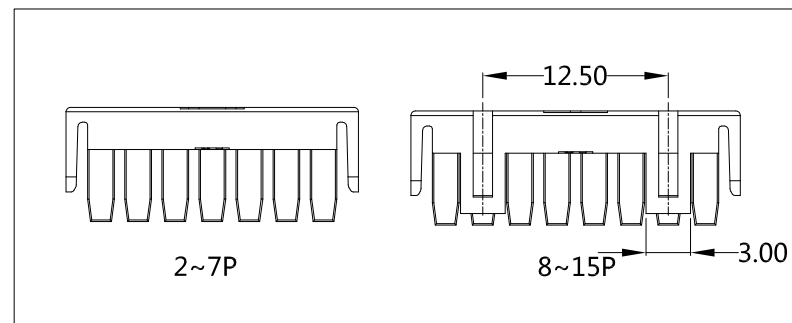
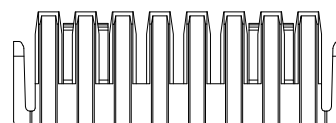
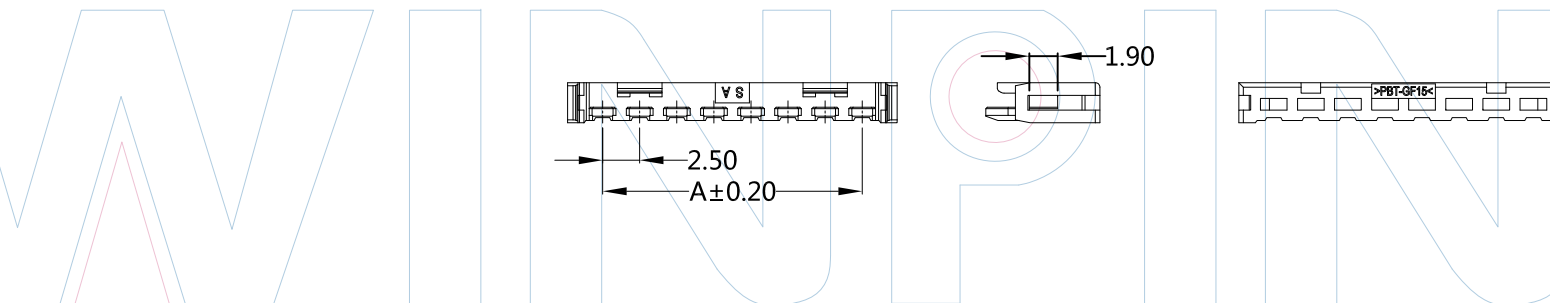


PART NUMBER CODING H25016-1 XX X 2

No. of pins
02-15P
Color
B=Black



Pins	Dimensions	
	A	B
2	2.50	7.20
3	5.00	9.70
4	7.50	12.20
5	10.00	14.70
6	12.50	17.20
7	15.00	19.70
8	17.50	22.20
9	20.00	24.70
10	22.50	27.20
11	25.00	29.70
12	27.50	32.20
13	30.00	34.70
14	32.50	37.20
15	35.00	39.70



Tel: +86 769 82581808 FAX: +86 769 81766192
E-Mail: sales@winpin.net Http: www.winpin.net

PART NO: H25016-1XXX2

TITLE: MX 2.5mm Seal

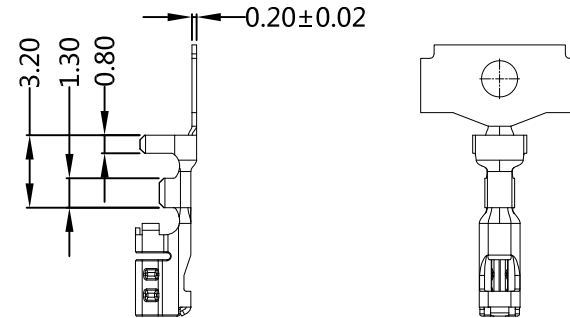
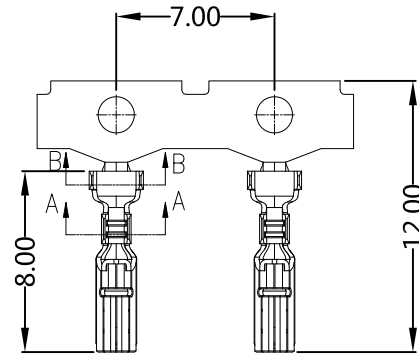
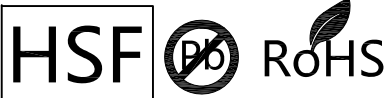
Note:
Voltage Rating: 250V AC/DC
Withstanding Voltage: 1000V AC/Minute
Temperature Range: -40°C to +125°C
Insulation Resistance: 100MΩ Min
Applicable Housing: H25016-1XXX1

Material:
Insulation Material: PBT(UL94V-0)

UNLESS OTHERWISE SPECIFIED DIMENSIONS ARE IN METRIC
TOLERANCES ARE:
DECIMALS Angle
X.X: ±0.40 ± 3°
X.XX: ±0.25
X.XXX: ±0.15

SCALE 1:1
UNIT MM
PROJ.
SHEET

A0	2015/06/25	NEW	Hua.ZT		Hua.ZT
REV	DATE	MODIFICATION DESCRIPTION	DRAW	CHANGE	APPROVE



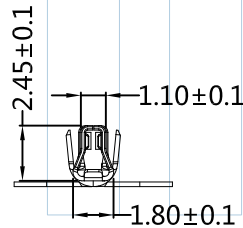
PART NUMBER CODING

T25016- X XX X

Material
P:Phosphor Bronze SN:Tin
H:High conductivity

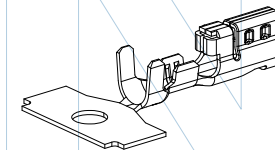
Contact plating

Part No.

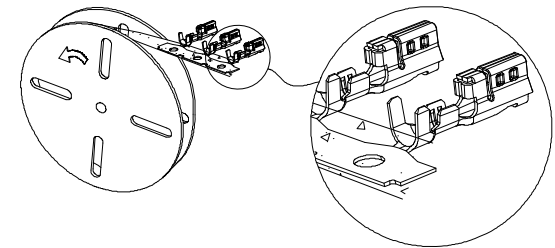


Section A-A

Section B-B



T25016-PXX1	AWG#26~24 (0.13~0.22mm ²)	1.28~1.42mm	1.90	2.05	2.90	2.50
T25016-HXX1						
T25016-PXX2	AWG#26~24 (0.13~0.22mm ²)	1.28~1.42mm	1.30	1.40	2.40	2.50
T25016-HXX2						
PART NO.	WIRE RANGE	Insulation O.D.	DIM.A	DIM.B	DIM.C	DIM.D



Tel: +86 769 82581808 FAX: +86 769 81766192
E-Mail: sales@winpin.net Http: www.winpin.net

PART NO: T25016-XXXX

TITLE: MX 2.5mm terminal

NOTE:
Current Rating: 3.5A AC/DC
Voltage Rating: 250V AC/DC
Withstand Voltage: 1000V AC/Minute
Insulation Resistance: 1000MΩ Min
Contact Resistance: 20mΩ Max
Working Temperature:
Phosphor Bronze: -25°C~+85°C
High Conductivity: -40°C~+125°C
Applicable Wire: 26~24AWG
Applicable Housing: H25016-1XXX1

MATERIAL:
Contact Material:
Phosphor Bronze or High Conductivity
Contact Plating: Sn over Ni

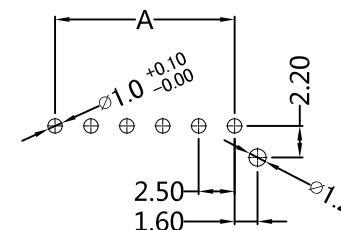
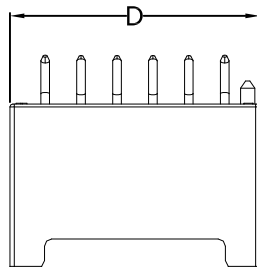
UNLESS OTHERWISE SPECIFIED DIMENSIONS ARE IN METRIC
TOLERANCES ARE:
DECIMALS Angle
X.X: ±0.40 ± 3°
X.XX: ±0.25
X.XXX: ±0.15

SCALE 1:1
UNIT MM
PROJ.
SHEET

A0	2015/06/25	NEW	Andy		Andy
REV	DATE	MODIFICATION DESCRIPTIO	DRAW	CHANGE	APPROVE



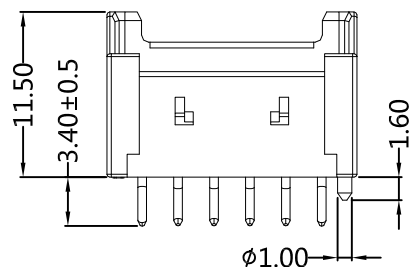
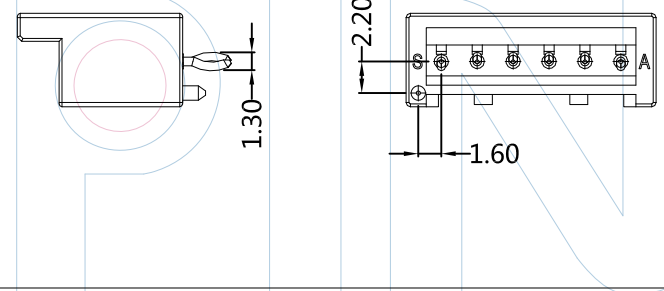
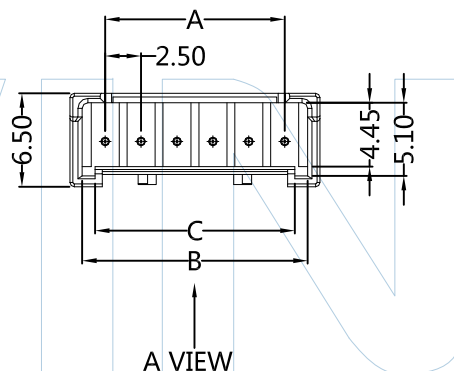
Recommended P.C.B Layout(Top Side)
(PCB BOARD TOLERANCE±0.05)



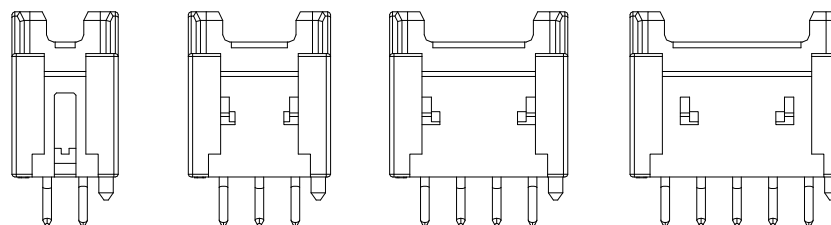
PART NUMBER CODING

W25016-1 XX S XX X X 1

No. of pins: 02-15P
Contact plating: SN: Tin
Color: E=Belge
Packing: A=Tray



A VIEW (Lock configuration)



2 Pin

3 Pin

4 Pin

5~15 Pin

Pins	Dimensions			
	A	B	C	D
2	2.50	5.70	3.90	7.40
3	5.00	8.20	6.40	9.90
4	7.50	10.70	8.90	12.40
5	10.00	13.20	11.40	14.90
6	12.50	15.70	13.90	17.40
7	15.00	18.20	16.40	19.90
8	17.50	20.70	18.90	22.40
9	20.00	23.20	21.40	24.90
10	22.50	25.70	23.90	27.40
11	25.00	28.20	26.40	29.90
12	27.50	30.70	28.90	32.40
13	30.00	33.20	31.40	34.90
14	32.50	35.70	33.90	37.40
15	35.00	38.20	36.40	39.90

WINPIN
 Tel: +86 769 82581808 FAX: +86 769 81766192
 E-Mail: sales@winpin.net Http: www.winpin.net

PART NO: W25016-1XXX1
 TITLE: MX 2.5mm Wafer 180°

NOTE
 Current Rating: 3.5A AC/DC
 Voltage Rating: 250V AC/DC
 Withstanding Voltage: 1000V AC/Minute
 Temperature Range: -40°C to +125°C
 Insulation resistance: 1000MΩ Min
 Contact resistance : 20mΩ Max
 Applicable Housing: H25016-1XXX1

Material:
 Contact Material: Brass
 Contact Plating: Sn over Ni
 Material: PA9T(UL94V-0)

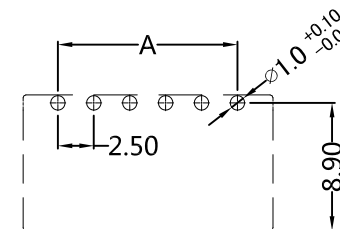
UNLESS OTHERWISE SPECIFIED DIMENSIONS ARE IN METRIC TOLERANCES ARE:
 DECIMALS Angle
 X.X: ±0.40 ± 3°
 X.XX: ±0.25
 X.XXX: ±0.15

SCALE 1:1
 UNIT MM
 PROJ.
 SHEET

A0	2015/06/25	NEW	Andy	Andy	
REV	DATE	MODIFICATION DESCRIPTION	DRAW	CHANGE	APPROVE



Recommended P.C.B Layout(Top Side)
(PCB BOARD TOLERANCE±0.05)



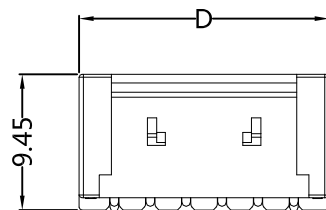
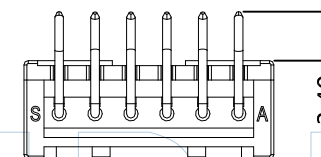
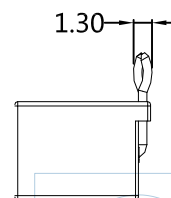
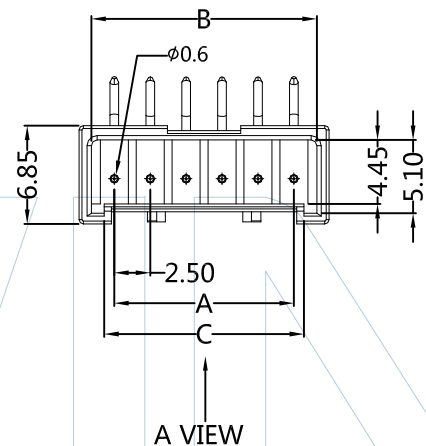
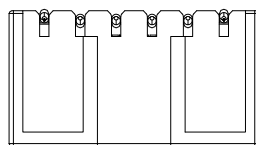
PART NUMBER CODING
W25016-1 XX R XX X X 1

No.of Pins
02-15P

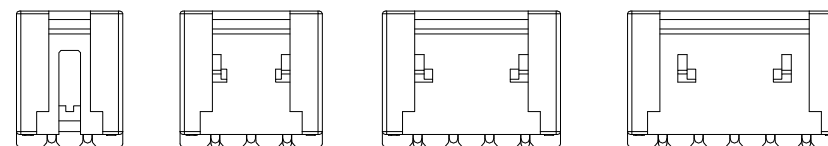
Contact plating
SN: Tin

Color
E=Beige

Packing
A=Tray



A VIEW (Lock configuration)



2 Pin

3 Pin

4 Pin

5~15 Pin

Pins	Dimensions			
	A	B	C	D
2	2.50	5.70	3.90	7.40
3	5.00	8.20	6.40	9.90
4	7.50	10.70	8.90	12.40
5	10.00	13.20	11.40	14.90
6	12.50	15.70	13.90	17.40
7	15.00	18.20	16.40	19.90
8	17.50	20.70	18.90	22.40
9	20.00	23.20	21.40	24.90
10	22.50	25.70	23.90	27.40
11	25.00	28.20	26.40	29.90
12	27.50	30.70	28.90	32.40
13	30.00	33.20	31.40	34.90
14	32.50	35.70	33.90	37.40
15	35.00	38.20	36.40	39.90



Tel: +86 769 82581808 FAX: +86 769 81766192
E-Mail: sales@winpin.net Http: www.winpin.net

PART NO: W25016-1XXRXXXX1

TITLE: MX 2.5mm Wafer 90° DIP

NOTE
Current Rating: 3.5A AC/DC
Voltage Rating: 250V AC/DC
Withstanding Voltage: 1000V AC/Minute
Temperature Range: -40°C to +125°C
Insulation resistance: 1000MΩ Min
Contact resistance : 20mΩ Max
Applicable Housing: H25016-1XXX1

Material:
Contact Material: Brass
Contact Plating: Sn over Ni
Material: PA9T(UL94V-0)

UNLESS OTHERWISE SPECIFIED DIMENSIONS ARE IN METRIC TOLERANCES ARE:
DECIMALS Angle
X.X: ±0.40 ± 3°
X.XX: ±0.25
X.XXX: ±0.15

SCALE 1:1
UNIT MM
PROJ.
SHEET

A0	2015/06/25	NEW	Andy	Andy
REV	DATE	MODIFICATION DESCRIPTION	DRAW	CHANGE
				APPROVE