



03P-12P

02P

4.58±0.2

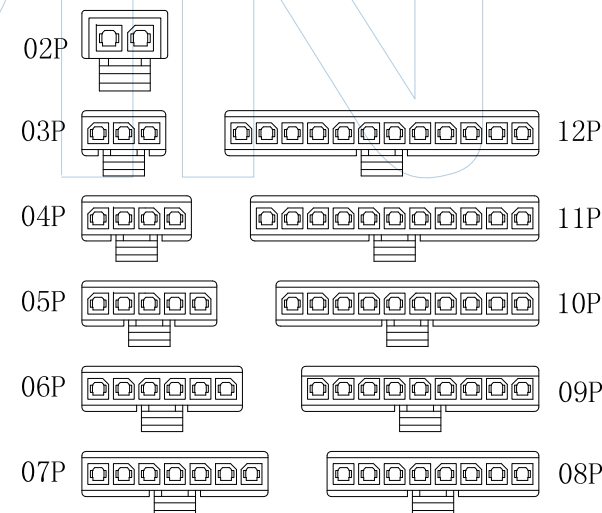
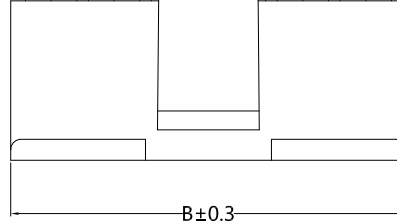
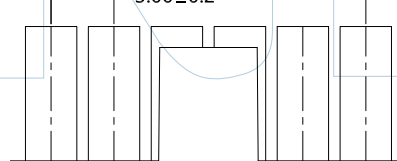
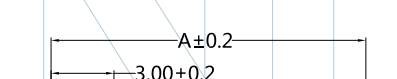
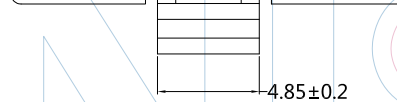
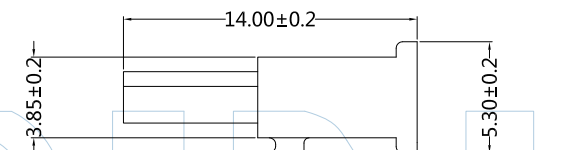
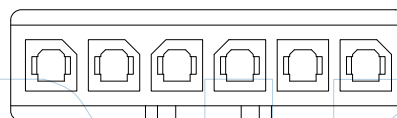
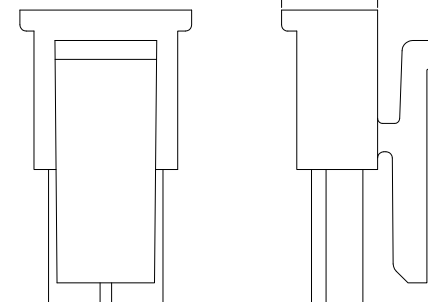
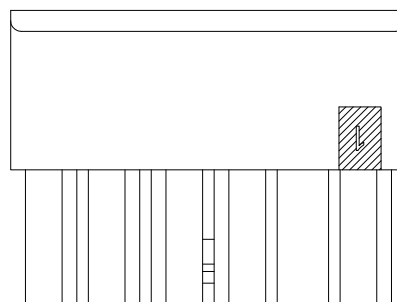
PART NUMBER CODING

H30001-1 XX X 1

No. of pins
02-12P

Color
B=Black

Pins	Dimensions	
	A	B
2	3.00	6.85
3	6.00	9.85
4	9.00	12.85
5	12.00	15.85
6	15.00	18.85
7	18.00	21.85
8	21.00	24.85
9	24.00	27.85
10	27.00	30.85
11	30.00	33.85
12	33.00	36.85



Tel: +86 769 82581808 FAX: +86 769 81766192
E-Mail: sales@winpin.net Http: www.winpin.net

NOTES:
Current Rating: 5.0AMP
Voltage Rating: 250V AC, DC
Withstand Voltage: 1500V AC/Minute
Contact Resistance: 10mΩ Max
Insulation Resistance: 1000MΩ Min
Operation Temperature: -40°C to +105°C
Applicable Terminal: T30001-PXX5

Material:
Insulator Material: PA66 (UL94V-2)

UNLESS OTHERWISE SPECIFIED DIMENSIONS ARE IN METRIC
TOLERANCES ARE:
DECIMALS Angle
X.X: ±0.40 ± 3°
X.XX: ±0.25
X.XXX: ±0.15

SCALE	1:1
UNIT	MM
PROJ.	
SHEET	

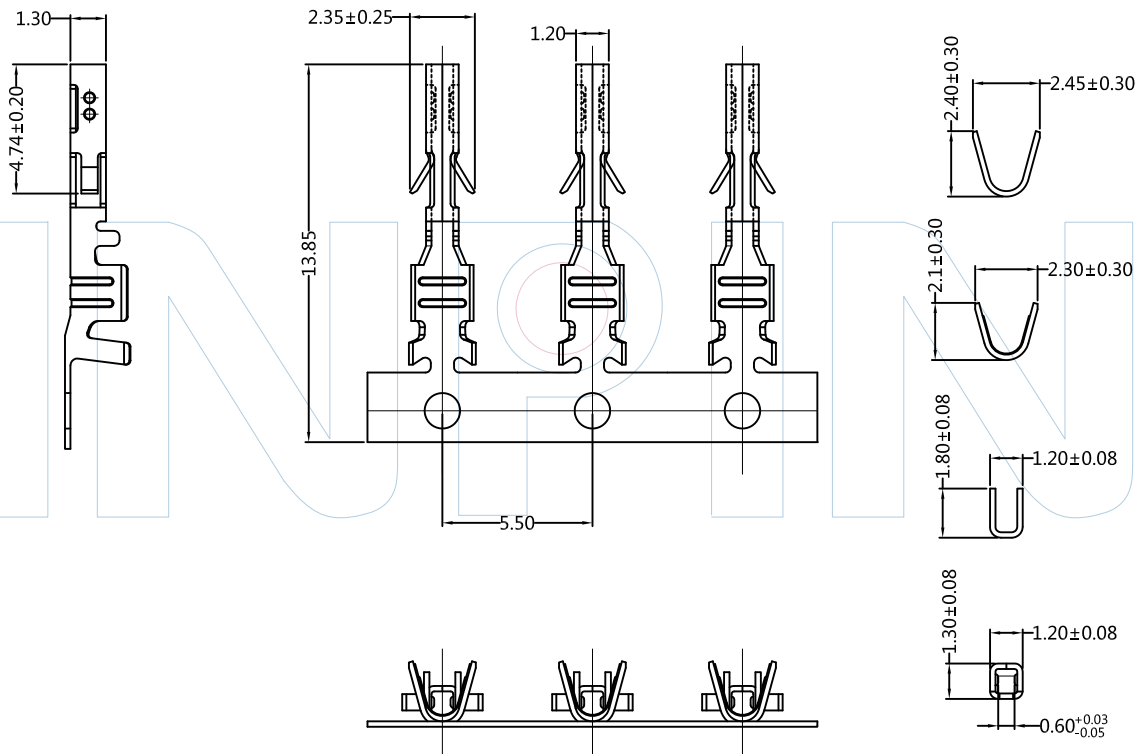
PART NO: H30001-1XXX1

TITLE: MX3.0mm Housing

A0	2020/06/25	NEW	Jason.Huang		Jason.Huang
REV	DATE	MODIFICATION DESCRIPTION	DRAW	CHANGE	APPROVE

PART NUMBER CODING
T30001-P XX 3

Contact plating
SN: Tin



Tel: +86 769 82581808 FAX: +86 769 81766192
E-Mail: sales@winpin.net Http: www.winpin.net

PART NO: T30001-PXX3

TITLE: MX3.0mm Female Terminal

NOTES:

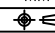
Current Rating: 5.0AMP
Voltage Rating: 250V AC, DC
Withstand Voltage: 1500V AC/Minute
Contact Resistance: 10mΩ Max
Insulation Resistance: 1000MΩ Min
Operation Temperature: -40°C ~ +105°C
Applicable Wire: 22-26 AWG

MATERIAL:

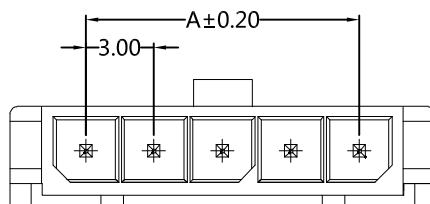
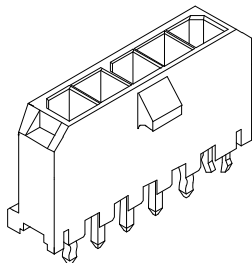
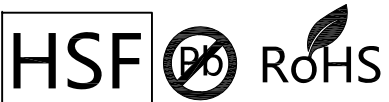
Contant : Phosphor Bronze
Contant Plating: Sn over Ni

UNLESS OTHERWISE SPECIFIED DIMENSIONS ARE IN METRIC

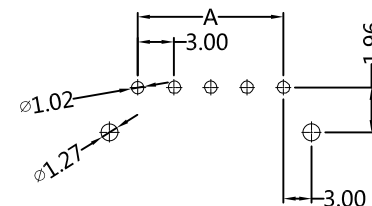
TOLERANCES ARE:
DECIMALS Angle
X.X: ±0.40 ± 3°
X.XX: ±0.25
X.XXX: ±0.15

SCALE 1:1
UNIT MM
PROJ. 
SHEET

A0	2015/06/25	NEW	GF.He		Andy
REV	DATE	MODIFICATION DESCRIPTION	DRAW	CHANGE	APPROVE



Recommended P.C.B Layout(Top Side)
(PCB BOARD TOLERANCE±0.05)



PART NUMBER CODING

W30001-1 XX S XX X X 1

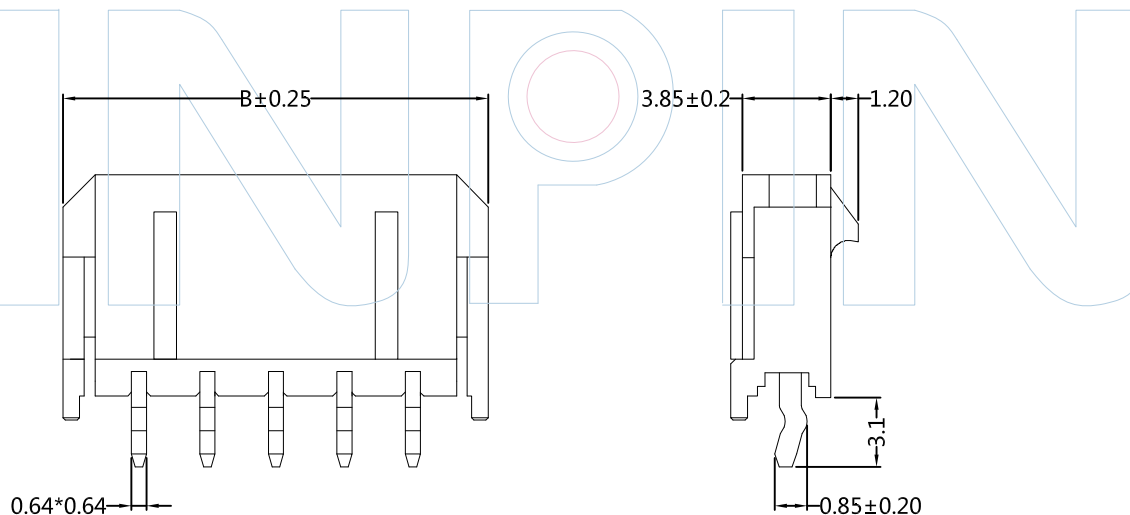
No.of pins
02P-12P

Contact plating
SN:Tin

Color
B=Black

Packing
A=Tray
B=PE Bag

Pins	Dimensions	
	A	B
2	3.00	9.65
3	6.00	12.65
4	9.00	15.65
5	12.00	18.65
6	15.00	21.65
7	18.00	24.65
8	21.00	27.65
9	24.00	30.65
10	27.00	33.65
11	30.00	36.65
12	33.00	39.65



Tel:+86 769 82581808 FAX:+86 769 81766192
E-Mail:sales@winpin.net Http://www.winpin.net

PART NO: W30001-1XXSXXX1
TITLE: 3.00mm wafer SINGLE ROW 180°DIP With POST

NOTES:
Current Rating:5.0AMP
Voltage Rating:250V AC,DC
Withstand Voltage:1500V AC/Minute
Contact Resistance:10mΩ Max
Insulation Resistance:1000MΩ Min
Operation Temperature:-40°C to +105°C
Applicable Terminal:T30001-PXX2-1
Applicable Housing:H30001-1XXBX-1

Material:
Contant Material:Brass
Contant Plating:Au or Sn over Ni
Insulator Material:PA9T UL94V-0

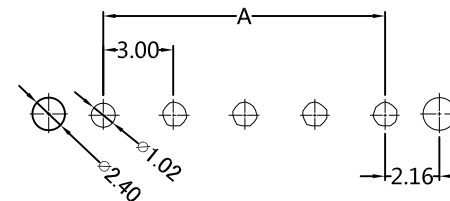
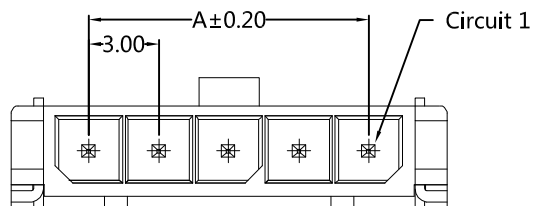
UNLESS OTHERWISE SPECIFIED DIMENSIONS ARE IN METRIC TOLERANCES ARE:

DECIMALS	Angle
X.X:±0.40	± 3°
X.XX:±0.25	
X.XXX:±0.15	
SCALE	1:1
UNIT	MM
PROJ.	
SHEET	

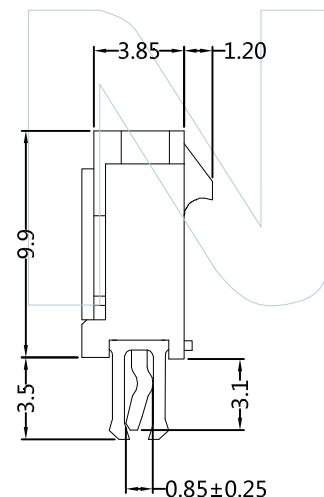
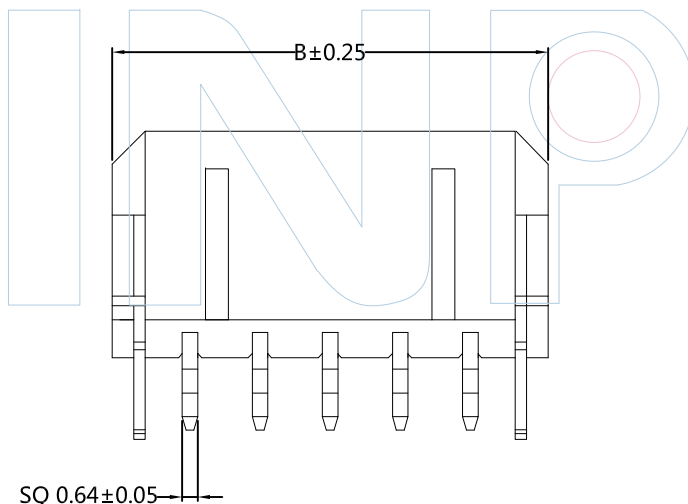
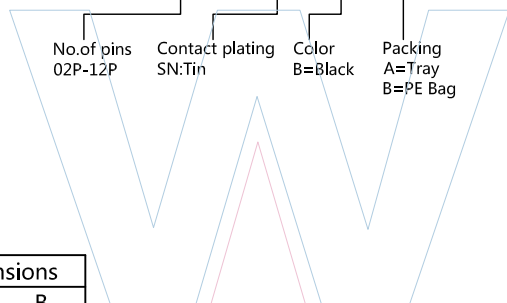
A0	2019/06/25	NEW	Myron.Yuan		Myron.Yuan
REV	DATE	MODIFICATION DESCRIPTIO	DRAW	CHANGE	APPROVE



Recommended P.C.B Layout(Top Side)
(PCB BOARD TOLERANCE±0.05)



PART NUMBER CODING
W30001-1 XX S XX X X 2



Pins	Dimensions	
	A	B
2	3.00	9.65
3	6.00	12.65
4	9.00	15.65
5	12.00	18.65
6	15.00	21.65
7	18.00	24.65
8	21.00	27.65
9	24.00	30.65
10	27.00	33.65
11	30.00	36.65
12	33.00	39.65



Tel: +86 769 82581808 FAX: +86 769 81766192
E-Mail: sales@winpin.net Http: www.winpin.net

PART NO: W30001-1XXSXXX2

TITLE: 3.00mm wafer Dual ROW 180°DIP 长鱼叉

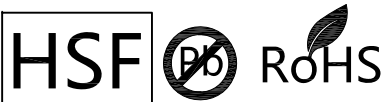
NOTES:
Current Rating:5.0AMP
Voltage Rating:250V AC,DC
Withstand Voltage:1500V AC/Minute
Contact Resistance:10mΩ Max
Insulation Resistance:1000MΩ Min
Operation Temperature:-40°C to +105°C
Applicable Terminal:T30001-PXX2-1
Applicable Housing:H30001-1XXBX-1

Material:
Contant Material:Brass
Contant Plating:Sn over Ni
Insulator Material:LCP UL94V-0

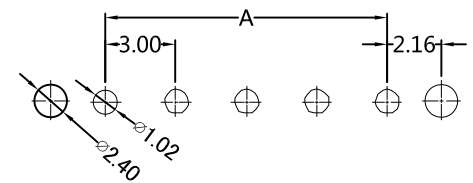
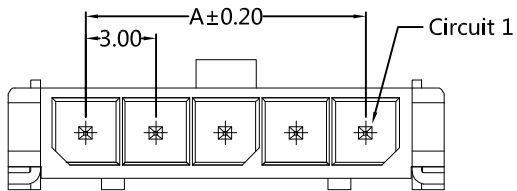
UNLESS OTHERWISE SPECIFIED DIMENSIONS ARE IN METRIC TOLERANCES ARE:
DECIMALS Angle
X.X:±0.40 ± 3°
X.XX:±0.25
X.XXX:±0.15

SCALE	1:1
UNIT	MM
PROJ.	
SHEET	

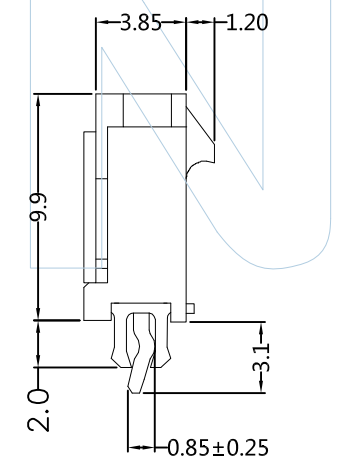
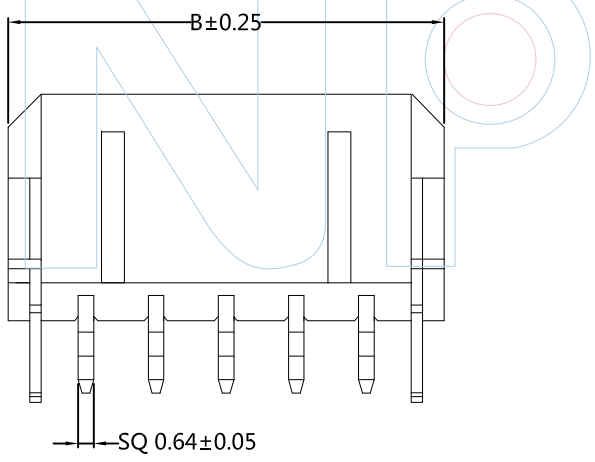
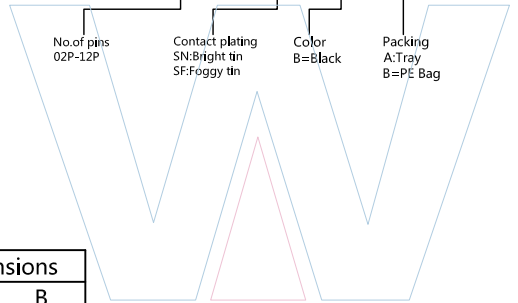
A0	2015/06/25	NEW	GF.He	Andy	Bobby
REV	DATE	MODIFICATION DESCRIPTION	DRAW	CHECKED	APPROVE



Recommended P.C.B Layout(Top Side)
(PCB BOARD TOLERANCE±0.05)



PART NUMBER CODING
W30001-1 XX S XX X X 3



Pins	Dimensions	
	A	B
2	3.00	9.65
3	6.00	12.65
4	9.00	15.65
5	12.00	18.65
6	15.00	21.65
7	18.00	24.65
8	21.00	27.65
9	24.00	30.65
10	27.00	33.65
11	30.00	36.65
12	33.00	39.65

WINPIN
 Tel:+86 769 82581808 FAX:+86 769 81766192
 E-Mail:sales@winpin.net Http://www.winpin.net

PART NO: W30001-1XXSXXX3
 TITLE: 3.00mm wafer Dual ROW 180°DIP 短鱼叉

SPECIFICATIONS
 1.Current rating: 5A AC, DC
 2.Voltage rating: 250V AC,DC
 3.Insulation resistance: 1000MΩ Min
 4.Withstanding voltage: 1500V AC/ minute.
 5.Contact resistance: 10mΩ Max
 6.Temperature range: -40°C ~ +105°C
 Applicable Terminal:T30001-PXX2-1
 Applicable Housing:H30001-1XXB-X1

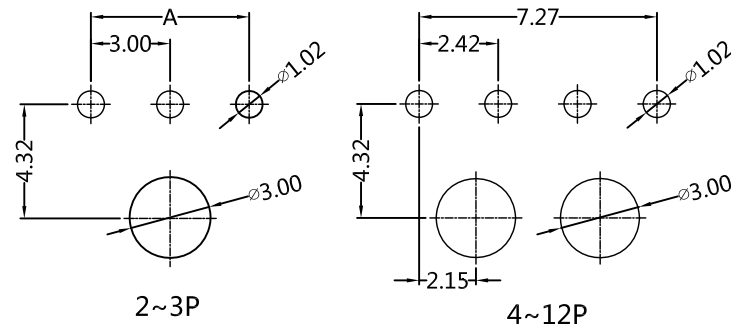
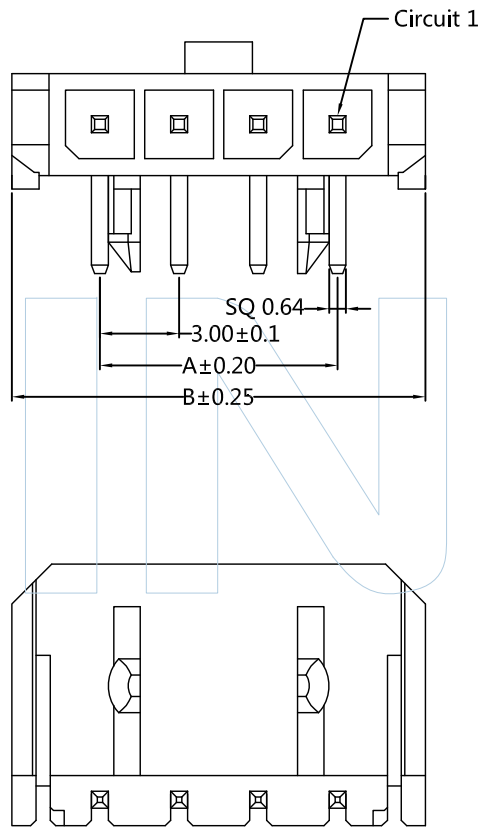
Material:
 Contact Material: Brass
 Contact Plating:Tin plated over nickel
 Insulator Material:LCP(UL94V-0)

UNLESS OTHERWISE SPECIFIED DIMENSIONS ARE IN METRIC TOLERANCES ARE:
 DECIMALS Angle
 X.X:±0.40 ± 3°
 X.XX:±0.25
 X.XXX:±0.15
 SCALE 1:1
 UNIT MM
 PROJ.
 SHEET

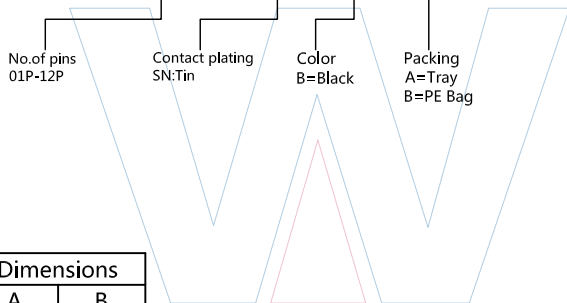
A0	2015/06/25	NEW	GF.He	Andy	Bobby
REV	DATE	MODIFICATION DESCRIPTION	DRAW	CHECKED	APPROVE



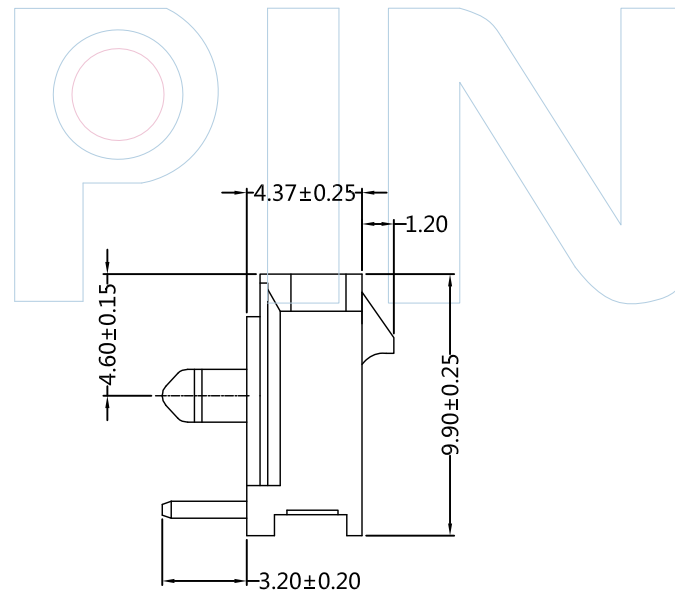
Recommended P.C.B Layout(Top Side)
(PCB BOARD TOLERANCE±0.05)



PART NUMBER CODING
W30001-1 XX R XX X X 1



Pins	Dimensions	
	A	B
2	3.00	9.65
3	6.00	12.65
4	9.00	15.65
5	12.00	18.65
6	15.00	21.65
7	18.00	24.65
8	21.00	27.65
9	24.00	30.65
10	27.00	33.65
11	30.00	36.65
12	33.00	39.65



Tel: +86 769 82581808 FAX: +86 769 81766192
E-Mail: sales@winpin.net Http: www.winpin.net

PART NO: W30001-1XXRXXX1

TITLE: 3.00mm wafer single ROW 90°DIP With POST

NOTES:
Current Rating: 5.0AMP
Voltage Rating: 250V AC, DC
Withstand Voltage: 1500V AC/Minute
Contact Resistance: 10mΩ Max
Insulation Resistance: 1000MΩ Min
Operation Temperature: -40°C to +105°C
Applicable Terminal: T30001-PXX2-1
Applicable Housing: H30001-1XXBX-1

Material:
Contant Material: Brass
Contant Plating: Au or Sn over Ni
Insulator Material: PA9T UL94V-0

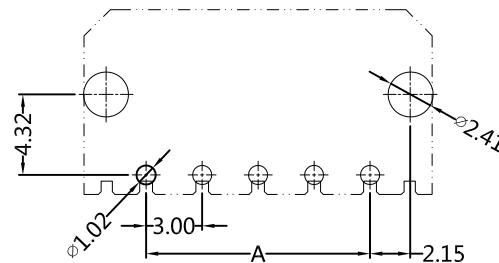
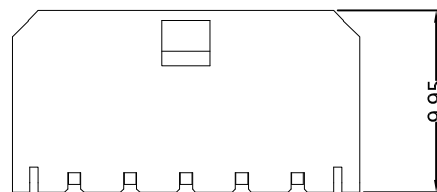
UNLESS OTHERWISE SPECIFIED DIMENSIONS ARE IN METRIC TOLERANCES ARE:
DECIMALS Angle
X.X: ±0.40 ± 3°
X.XX: ±0.25
X.XXX: ±0.15

SCALE	1:1
UNIT	MM
PROJ.	
SHEET	

A0	2015/06/25	NEW	Hua.ZT		Hua.ZT
REV	DATE	MODIFICATION DESCRIPTIO	DRAW	CHANGE	APPROVE



Recommended P.C.B Layout(Top Side)
(PCB BOARD TOLERANCE±0.05)



PART NUMBER CODING

W30001-1 XX R XX X X 2

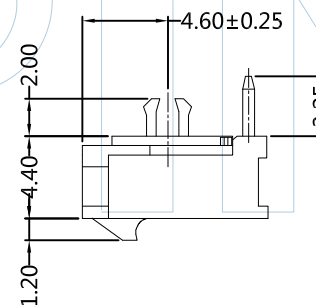
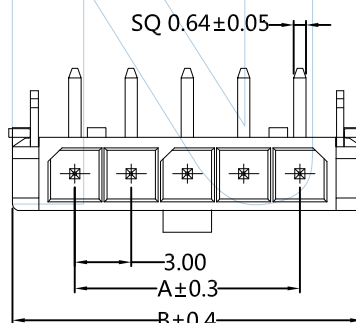
No.of pins
02P-12P

Contact plating
SN:Tin

Color
B=Black

Packing
A=Tray
B=PE Bag

Pins	Dimensions	
	A	B
2	3.00	9.65
3	6.00	12.65
4	9.00	15.65
5	12.00	18.65
6	15.00	21.65
7	18.00	24.65
8	21.00	27.65
9	24.00	30.65
10	27.00	33.65
11	30.00	36.65
12	33.00	39.65



WINPIN
 Tel:+86 769 82581808 FAX:+86 769 81766192
 E-Mail:sales@winpin.net Http://www.winpin.net

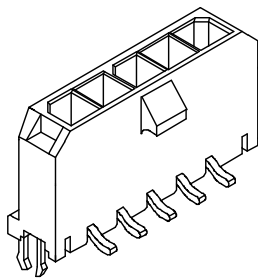
PART NO: W30001-1XXRXXXX2
 TITLE: 3.00mm wafer single ROW 90°DIP With clip

NOTES:
 Current Rating:5.0AMP
 Voltage Rating:250V AC,DC
 Withstand Voltage:1500V AC/Minute
 Contact Resistance:10mΩ Max
 Insulation Resistance:1000MΩ Min
 Operation Temperature:-40°C to +105°C
 Applicable Terminal:T30001-PXX2-1
 Applicable Housing:H30001-1XXBX-1

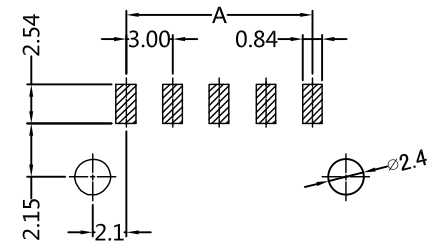
Material:
 Contant Material:Brass
 Contant Plating:Au or Sn over Ni
 Insulator Material:LCP UL94V-0

UNLESS OTHERWISE SPECIFIED DIMENSIONS ARE IN METRIC TOLERANCES ARE:
 DECIMALS Angle
 X.X:±0.40 ± 3°
 X.XX:±0.25
 X.XXX:±0.15
 SCALE 1:1
 UNIT MM
 PROJ.
 SHEET

A1	2022-04-02	统一布控图纸	Andy	Andy	Bobby
A0	2015/06/25	NEW	Hua.ZT		Hua.ZT
REV	DATE	MODIFICATION DESCRIPTIO	DRAW	CHANGE	APPROVE



Recommended P.C.B Layout(Top Side)
(PCB BOARD TOLERANCE±0.05)



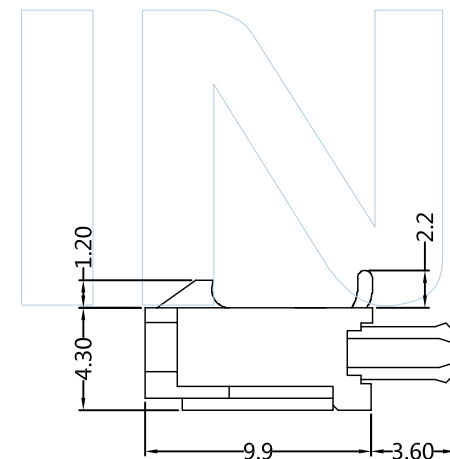
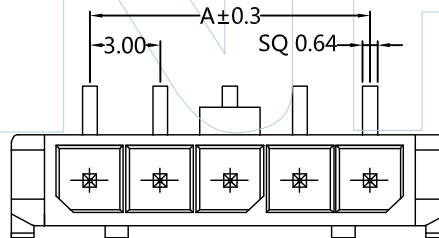
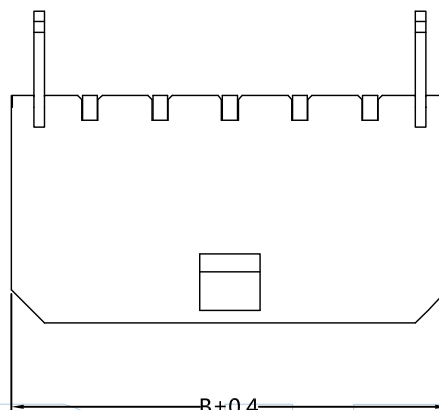
PART NUMBER CODING
W30001-1 XX M XX X X 1

No. of pins
01P-12P

Contact plating
SN: Tin

Color
B=Black

Packing
R=Tape&Reel



Pins	Dimensions	
	A	B
2	3.00	9.70
3	6.00	12.70
4	9.00	15.70
5	12.00	18.70
6	15.00	21.70
7	18.00	24.70
8	21.00	27.70
9	24.00	30.70
10	27.00	33.70
11	30.00	36.70
12	33.00	39.70

Tel: +86 769 82581808 FAX: +86 769 81766192
E-Mail: sales@winpin.net Http: www.winpin.net

PART NO: W30001-1XXMXXX1

TITLE: 3.00mm wafer SINGLE ROW 180°SMT With CLIP

NOTES:
Current Rating:5.0AMP
Voltage Rating:250V AC,DC
Withstand Voltage:1500V AC/Minute
Contact Resistance:10mΩ Max
Insulation Resistance:1000MΩ Min
Operation Temperature:-40°C to +105°C
Applicable Terminal:T30001-PXX1
Applicable Housing:H30001-1XXBX

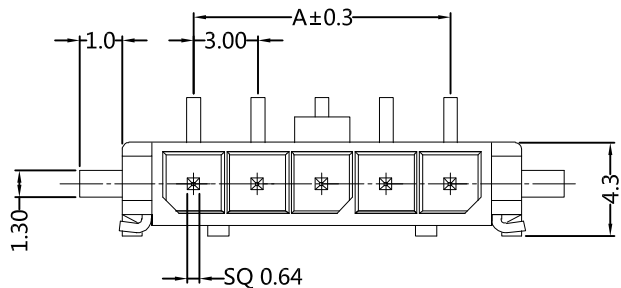
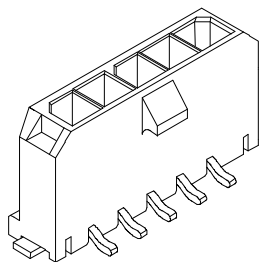
Material:
Contant Material:Brass
Contant Plating:Sn over Ni
Insulator Material:LCP UL94V-0

UNLESS OTHERWISE SPECIFIED DIMENSIONS ARE IN METRIC TOLERANCES ARE:
DECIMALS Angle
X.X:±0.40 ± 3°
X.XX:±0.25
X.XXX:±0.15

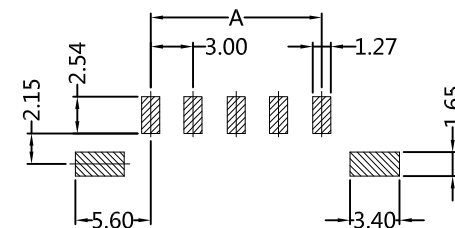
SCALE 1:1
UNIT MM
PROJ.
SHEET 1/2

A0	2015/06/25	NEW	Hua.ZT		Hua.ZT
REV	DATE	MODIFICATION DESCRIPTIO	DRAW	CHANGE	APPROVE

HSF  **RoHS**



Recommended P.C.B Layout(Top Side)
(PCB BOARD TOLERANCE±0.05)



PART NUMBER CODING
W30001-1 XX M XX X X 2

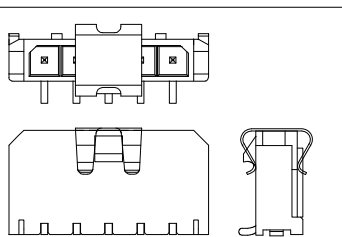
No. of pins
01P-12P

Contact plating
SN: Tin

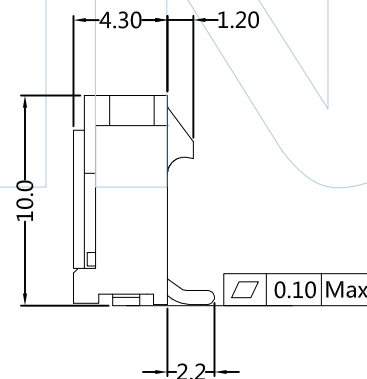
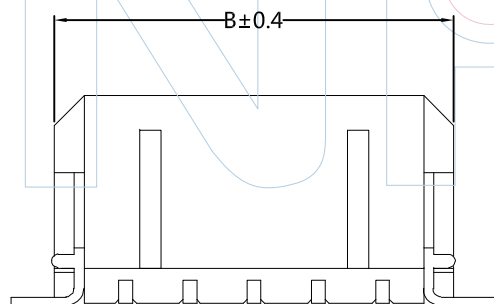
Color
B=Black

Packing
R=Tape&Reel

Pins	Dimensions	
	A	B
2	3.00	9.70
3	6.00	12.70
4	9.00	15.70
5	12.00	18.70
6	15.00	21.70
7	18.00	24.70
8	21.00	27.70
9	24.00	30.70
10	27.00	33.70
11	30.00	36.70
12	33.00	39.70



With CAP View



WINPIN

Tel: +86 769 82581808
E-Mail: sales@winpin.net

FAX: +86 769 81766192
Http: www.winpin.net

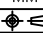
PART NO: W30001-1XXMXXXX2

TITLE: 3.00mm wafer SINGLE ROW 180°SMT With LATCH

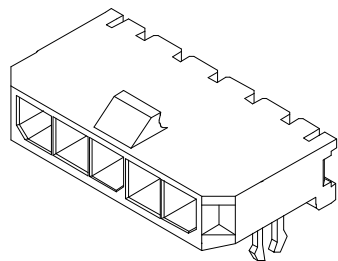
NOTES:
Current Rating: 5.0AMP
Voltage Rating: 250V AC, DC
Withstand Voltage: 1500V AC/Minute
Contact Resistance: 10mΩ Max
Insulation Resistance: 1000MΩ Min
Operation Temperature: -40°C to +105°C
Applicable Terminal: T30001-PXX2-1
Applicable Housing: H30001-1XXBX-1

Material:
Contant Material: Brass
Solder Material: Brass
Contant Plating: Sn over Ni
Solder Plating: Sn over Ni
Insulator Material: LCP UL94V-0

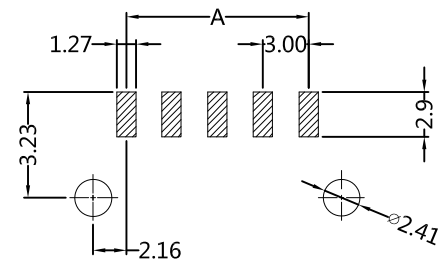
UNLESS OTHERWISE SPECIFIED DIMENSIONS ARE IN METRIC TOLERANCES ARE:
DECIMALS Angle
X.X: ±0.40 ± 3°
X.XX: ±0.25
X.XXX: ±0.15

SCALE	1:1
UNIT	MM
PROJ.	
SHEET	1/2

A0	2018/06/25	NEW	Myron.Yuan	Myron.Yuan	
REV	DATE	MODIFICATION DESCRIPTIO	DRAW	CHANGE	APPROVE

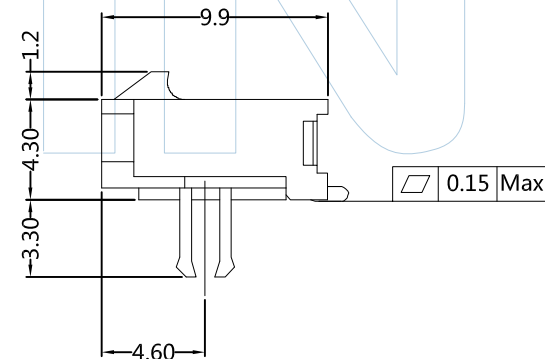
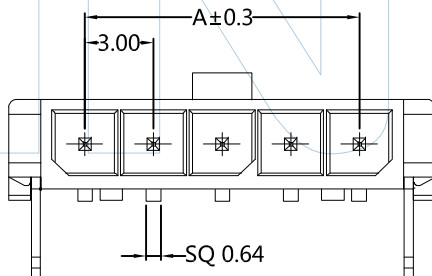
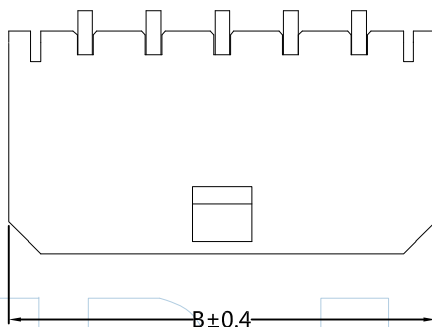


Recommended P.C.B Layout(Top Side)
(PCB BOARD TOLERANCE±0.05)



PART NUMBER CODING
W30001-1 XX Z XX X X 1

No. of pins 02P-12P
Contact plating SN:Tin
Color B=Black
Packing R=Tape&Reel



Pins	Dimensions	
	A	B
2	3.00	9.65
3	6.00	12.65
4	9.00	15.65
5	12.00	18.65
6	15.00	21.65
7	18.00	24.65
8	21.00	27.65
9	24.00	30.65
10	27.00	33.65
11	30.00	36.65
12	33.00	39.65



Tel:+86 769 82581808 FAX:+86 769 81766192
E-Mail:sales@winpin.net Http://www.winpin.net

PART NO: W30001-1XXZXXX1

TITLE: 3.00mm wafer Single Row 90°SMT With Latch

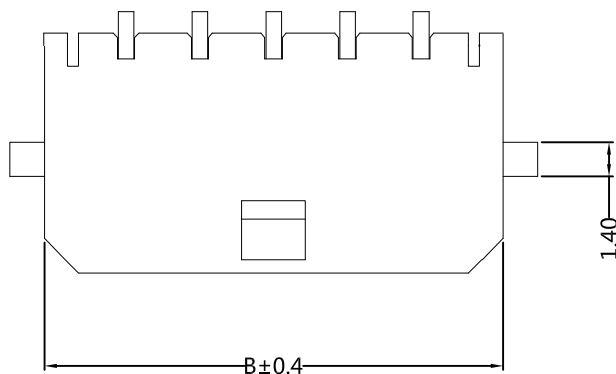
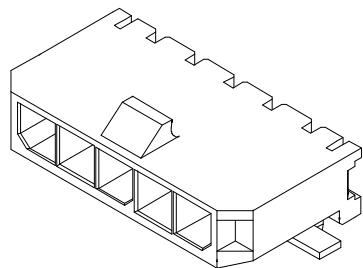
NOTES:
Current Rating:5.0AMP
Voltage Rating:250V AC,DC
Withstand Voltage:1500V AC/Minute
Contact Resistance:10mΩ Max
Insulation Resistance:1000MΩ Min
Operation Temperature:-40°C to +105°C
Applicable Terminal:T30001-PXX2-1
Applicable Housing:H30001-1XXBX-1

Material:
Contant Material:Brass
Press-fit Material:Brass
Contant Plating:Sn over Ni
Insulator Material:LCP UL94V-0

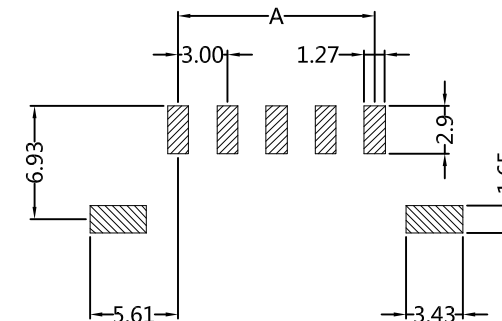
UNLESS OTHERWISE SPECIFIED DIMENSIONS ARE IN METRIC TOLERANCES ARE:
DECIMALS Angle
X.X:±0.40 ± 3°
X.XX:±0.25
X.XXX:±0.15

SCALE	1:1
UNIT	MM
PROJ.	
SHEET	

A0	2019/06/25	NEW	Myron.Yuan		Myron.Yuan
REV	DATE	MODIFICATION DESCRIPTIO	DRAW	CHANGE	APPROVE



Recommended P.C.B Layout(Top Side)
(PCB BOARD TOLERANCE±0.05)



PART NUMBER CODING

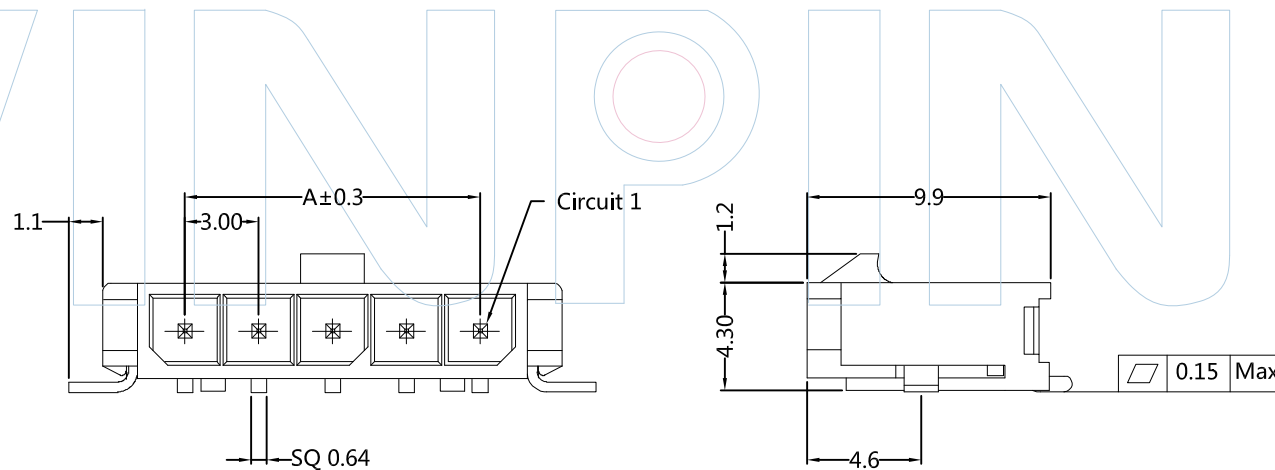
W30001-1 XX Z XX X X 2

No. of pins
02P-12P

Contact plating
SN: Tin

Color
B=Black

Packing
R=Tape&Reel



Pins	Dimensions	
	A	B
2	3.00	9.70
3	6.00	12.70
4	9.00	15.70
5	12.00	18.70
6	15.00	21.70
7	18.00	24.70
8	21.00	27.70
9	24.00	30.70
10	27.00	33.70
11	30.00	36.70
12	33.00	39.70



Tel: +86 769 82581808 FAX: +86 769 81766192
E-Mail: sales@winpin.net Http: www.winpin.net

PART NO: W30001-1XXZXXXX2

TITLE: 3.00mm wafer Single Row 90°SMT With Latch

NOTES:
Current Rating:5.0AMP
Voltage Rating:250V AC,DC
Withstand Voltage:1500V AC/Minute
Contact Resistance:10mΩ Max
Insulation Resistance:1000MΩ Min
Operation Temperature:-40°C to +105°C
Applicable Terminal:T30001-PXX2-1
Applicable Housing:H30001-1XXBX-1

Material:
Contant Material:Brass
Press-fit Material:Brass
Contant Plating:Sn over Ni
Solder Plating:Sn over Ni
Insulator Material:LCP UL94V-0

UNLESS OTHERWISE SPECIFIED DIMENSIONS ARE IN METRIC TOLERANCES ARE:
DECIMALS Angle
X.X:±0.40 ± 3°
X.XX:±0.25
X.XXX:±0.15

SCALE	1:1
UNIT	MM
PROJ.	
SHEET	

A0	2019/06/25	NEW	Jason.Huang	Jason.Huang	
REV	DATE	MODIFICATION DESCRIPTIO	DRAW	CHANGE	APPROVE