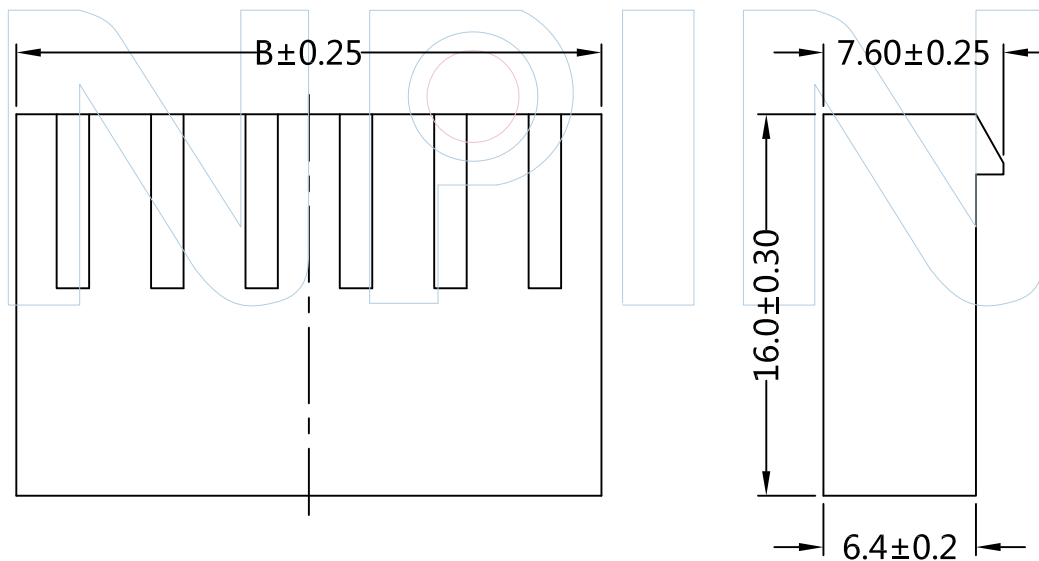
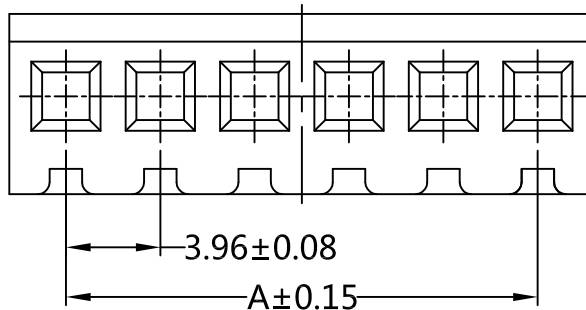




**PART NUMBER CODING**  
**H39601-1 XX X 1**

No. of pins  
02-24P  
 Color  
W=White



| Pins | Dimensions |       |
|------|------------|-------|
|      | A          | B     |
| 02   | 3.96       | 8.52  |
| 03   | 7.92       | 12.48 |
| 04   | 11.88      | 16.44 |
| 05   | 15.84      | 20.40 |
| 06   | 19.80      | 24.36 |
| 07   | 23.76      | 28.32 |
| 08   | 27.72      | 32.28 |
| 09   | 31.68      | 36.24 |
| 10   | 35.64      | 40.20 |
| 11   | 39.60      | 44.16 |
| 12   | 43.56      | 48.12 |
| 13   | 47.52      | 52.08 |
| 14   | 51.48      | 56.04 |
| 15   | 55.44      | 60.00 |
| 16   | 59.40      | 63.96 |



Tel: +86 769 82581808 FAX: +86 769 81766192  
 E-Mail: sales@winpin.net Http://www.winpin.net

PART NO: H39601-1XXX1

TITLE: MX 3.96mm Housing

**NOTES:**  
 Current Rating:7.0A(AWG#18)  
 Voltage Rating:250V AC/DC  
 Withstand Voltage:1500V AC/DC  
 Contact Resistance:10mΩ Max  
 Insulation Resistance:1000MΩ Min  
 Operation Temperature:-40°C~+105°C  
 Applicable Terminal:T39601-PXX1  
 Applicable Wafer:W39601-1XXSXXXXX

**MATERIAL:**  
 Insulator:PA66(UL94V-2)

UNLESS OTHERWISE SPECIFIED DIMENSIONS ARE IN METRIC  
 TOLERANCES ARE:  
 DECIMALS Angle  
 X.X:±0.40 ± 3°  
 X.XX:±0.25  
 X.XXX:±0.15

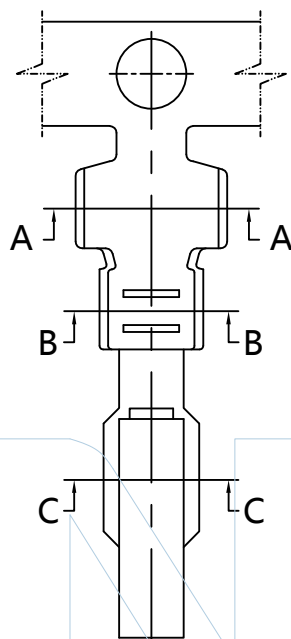
|       |     |
|-------|-----|
| SCALE | 1:1 |
| UNIT  | MM  |
| PROJ. |     |
| SHEET |     |

|     |            |                         |               |        |               |
|-----|------------|-------------------------|---------------|--------|---------------|
| A0  | 2015/06/25 | NEW                     | ChaoLong.Yuan |        | ChaoLong.Yuan |
| REV | DATE       | MODIFICATION DESCRIPTIO | DRAW          | CHANGE | APPROVE       |



PART NUMBER CODING  
**T39601-P XX 1**

Contact plating  
 SN: Tin



$3.40 \pm 0.30$

$3.20 \pm 0.30$

A-A

$0.25 \pm 0.05$

$13.70 \pm 0.30$

6.20

4.40

$2.20 \pm 0.30$

$2.60 \pm 0.30$

B-B



Tel: +86 769 82581808  
 E-Mail: sales@winpin.net

FAX: +86 769 81766192  
 Http: www.winpin.net

PART NO: T39601-PXX1

TITLE: MX 3.96mm Terminal

NOTES:  
 Current Rating: 7.0A(AWG#18)  
 Voltage Rating: 250V AC/DC  
 Withstand Voltage: 1500V AC/DC  
 Contact Resistance: 10mΩ Max  
 Insulation Resistance: 1000MΩ Min  
 Operation Temperature: -40°C ~ +105°C  
 Applicable Wire: AWG#18-#22  
 Applicable Housing: H39601-1XXX1  
 Applicable Wafer: W39601-1XXXXXXX

MATERIAL:  
 Contact: Phosphor Bronze  
 Contact Plating: Sn over Ni

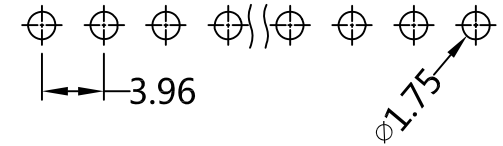
UNLESS OTHERWISE SPECIFIED DIMENSIONS ARE IN METRIC  
 TOLERANCES ARE:  
 DECIMALS Angle  
 X.X: ±0.40 ± 3°  
 X.XX: ±0.25  
 X.XXX: ±0.15

|       |     |
|-------|-----|
| SCALE | 1:1 |
| UNIT  | MM  |
| PROJ. |     |
| SHEET |     |

|     |            |                         |               |        |               |
|-----|------------|-------------------------|---------------|--------|---------------|
| A0  | 2015/06/25 | NEW                     | ChaoLong.Yuan |        | ChaoLong.Yuan |
| REV | DATE       | MODIFICATION DESCRIPTIO | DRAW          | CHANGE | APPROVE       |

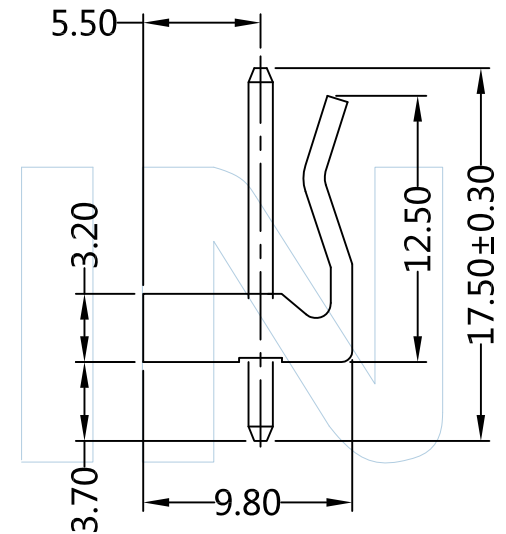
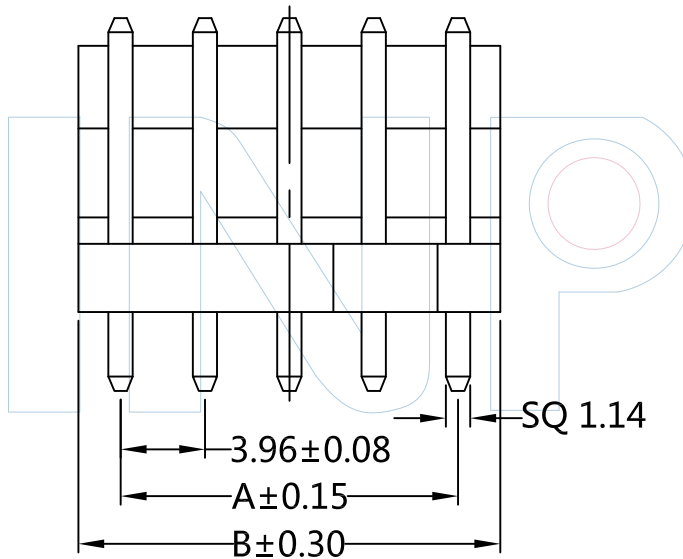


Recommended P.C.B Layout(Top Side)  
(PCB BOARD TOLERANCE±0.05)



PART NUMBER CODING  
**W39601-1 XX S XX X X 1**  
 No.of pins: 02-16P  
 Contact plating: SN:Tin  
 Color: W=White B=PE Bag  
 Packing: B=PE Bag

| Pins | Dimensions |       |
|------|------------|-------|
|      | A          | B     |
| 02   | 3.96       | 7.92  |
| 03   | 7.92       | 11.88 |
| 04   | 11.88      | 15.84 |
| 05   | 15.84      | 19.80 |
| 06   | 19.80      | 23.76 |
| 07   | 23.76      | 27.72 |
| 08   | 27.72      | 31.68 |
| 09   | 31.68      | 35.64 |
| 10   | 35.64      | 39.60 |
| 11   | 39.60      | 43.56 |
| 12   | 43.56      | 47.52 |
| 13   | 47.52      | 51.48 |
| 14   | 51.48      | 55.44 |
| 15   | 55.44      | 59.40 |
| 16   | 59.40      | 63.36 |



**WINPIN**  
 Tel:+86 769 82581808 FAX:+86 769 81766192  
 E-Mail:sales@winpin.net Http://www.winpin.net

PART NO: W39601-1XXSXXX1  
 TITLE: MX3.96mm Wafer 180° DIP

NOTES:  
 Current Rating:7.0A(AWG#18)  
 Voltage Rating:250V AC/DC  
 Withstand Voltage:1500V AC/DC  
 Contact Resistance:10mΩ Max  
 Insulation Resistance:1000MΩ Min  
 Operation Temperature:-40°C~+105°C  
 Applicable Terminal:T39601-XXX1  
 Applicable Housing:H39601-1XXX1

MATERIAL:  
 Contact:Brass  
 Contact Plating:Sn over Ni  
 Insulator:PA66(UL94V-2)

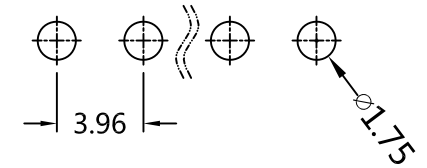
UNLESS OTHERWISE SPECIFIED DIMENSIONS ARE IN METRIC  
 TOLERANCES ARE:  
 DECIMALS Angle  
 X.X:±0.40 ± 3°  
 X.XX:±0.25  
 X.XXX:±0.15

SCALE 1:1  
 UNIT MM  
 PROJ.   
 SHEET

|     |            |                         |        |        |         |
|-----|------------|-------------------------|--------|--------|---------|
| A0  | 2015/06/25 | NEW                     | Hua.ZT |        | Hua.ZT  |
| REV | DATE       | MODIFICATION DESCRIPTIO | DRAW   | CHANGE | APPROVE |

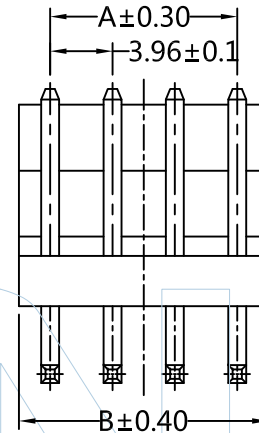


Recommended P.C.B Layout(Top Side)  
(PCB BOARD TOLERANCE±0.05)

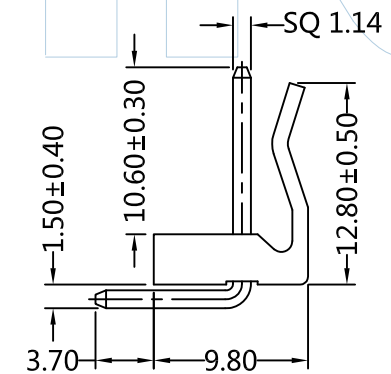
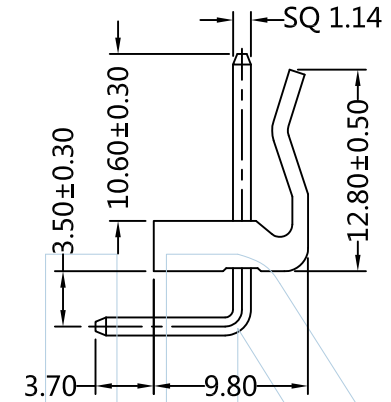
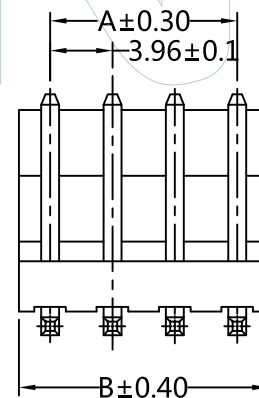


**PART NUMBER CODING**  
**W39601-1 XX R XX X X X**  
 No.of pins: 02-16P  
 Contact plating: SN:Tin  
 Color: W=White B=PE Bag  
 Packing: B=PE Bag  
 Series No.: 1=Type 1 2=Type 2

Type 1



Type 2



| Pins | Dimensions |       |
|------|------------|-------|
|      | A          | B     |
| 02   | 3.96       | 7.92  |
| 03   | 7.92       | 11.88 |
| 04   | 11.88      | 15.84 |
| 05   | 15.84      | 19.80 |
| 06   | 19.80      | 23.76 |
| 07   | 23.76      | 27.72 |
| 08   | 27.72      | 31.68 |
| 09   | 31.68      | 35.64 |
| 10   | 35.64      | 39.60 |
| 11   | 39.60      | 43.56 |
| 12   | 43.56      | 47.52 |
| 13   | 47.52      | 51.48 |
| 14   | 51.48      | 55.44 |
| 15   | 55.44      | 59.40 |
| 16   | 59.40      | 63.36 |

Tel:+86 769 82581808 FAX:+86 769 81766192  
 E-Mail:sales@winpin.net Http://www.winpin.net

PART NO: W39601-1XXRXXXXX  
 TITLE: MX 3.96mm Wafer 90° DIP

**NOTES:**  
 Current Rating:7.0A(AWG#18)  
 Voltage Rating:250V AC/DC  
 Withstand Voltage:1500V AC/DC  
 Contact Resistance:10mΩ Max  
 Insulation Resistance:1000MΩ Min  
 Operation Temperature:-40°C~+105°C  
 Applicable Terminal:T39601-XXX1  
 Applicable Housing:H39601-1XXX1

**MATERIAL:**  
 Contact:Brass  
 Contact Plating:Sn over Ni  
 Insulator:PA66(UL94V-2)

UNLESS OTHERWISE SPECIFIED DIMENSIONS ARE IN METRIC  
 TOLERANCES ARE:  
 DECIMALS Angle  
 X.X:±0.40 ± 3°  
 X.XX:±0.25  
 X.XXX:±0.15

SCALE 1:1  
 UNIT MM  
 PROJ.   
 SHEET

|     |            |                          |             |             |         |
|-----|------------|--------------------------|-------------|-------------|---------|
| A0  | 2019/06/25 | NEW                      | Jason.Huang | Jason.Huang |         |
| REV | DATE       | MODIFICATION DESCRIPTION | DRAW        | CHANGE      | APPROVE |