

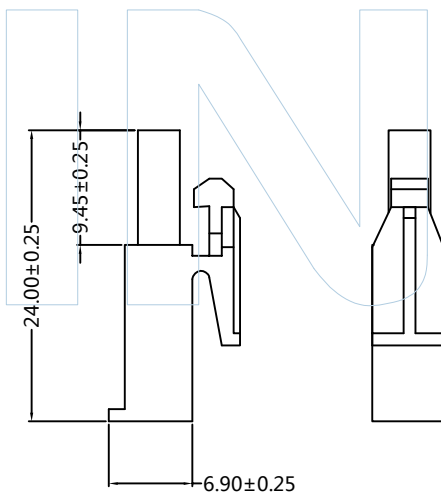
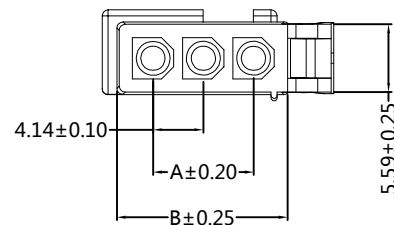
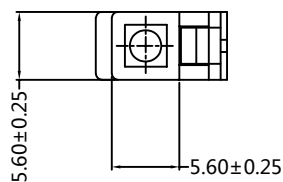


PART NUMBER CODING

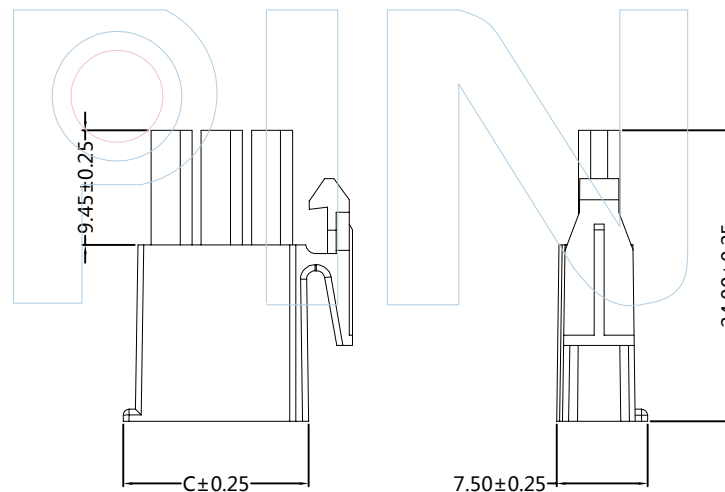
H41401-1 XX X 2

No. of pins
01-03P

Color
W=White



1P



2P~3P

Circuits	Dimensions(mm)		
	A	B	C
01P	—	5.76	7.00
02P	4.14	9.90	11.14
03P	8.28	14.04	15.28



Tel: +86 769 82581808 FAX: +86 769 81766192
E-Mail: sales@winpin.net Http: www.winpin.net

PART NO: H41401-1XXX2

TITLE: 4.14mm Housing

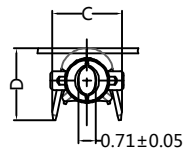
NOTES:
Current Rating: 9.0AMP
Voltage Rating: 600V AC/DC
Withstand Voltage: 1500V AC/DC
Contact Resistance: 20mΩ Max
Insulation Resistance: 1000MΩ Min
Operation Temperature: -40°C to +105°C
Applicable Housing: T41401-XXX2

Material:
Material: Nylon 66, UL94V-2

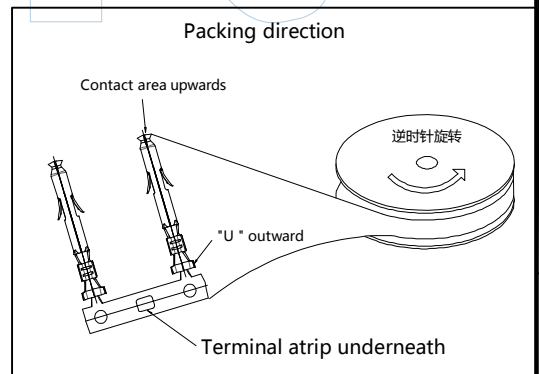
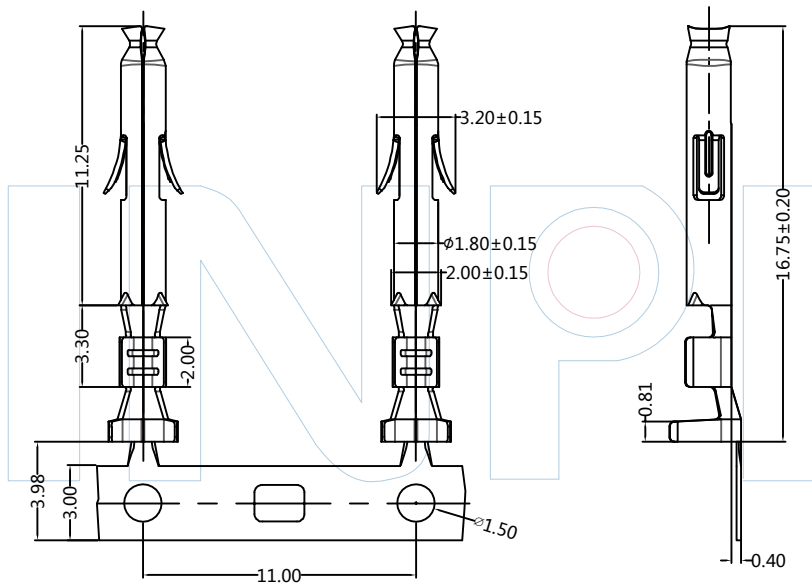
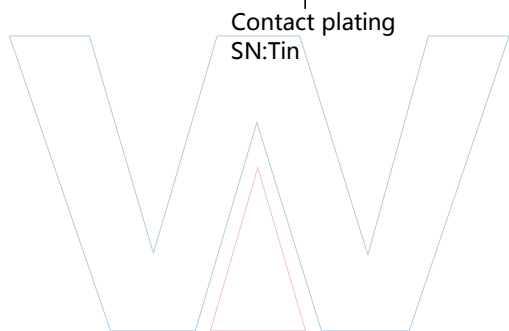
UNLESS OTHERWISE SPECIFIED DIMENSIONS ARE IN METRIC
TOLERANCES ARE:
DECIMALS Angle
X.X: ±0.40 ± 3°
X.XX: ±0.25
X.XXX: ±0.15

SCALE	1:1
UNIT	MM
PROJ.	
SHEET	

A0	2016/11/25	NEW	Hua.ZT		Hua.ZT
REV	DATE	MODIFICATION DESCRIPTION	DRAW	CHANGE	APPROVE



PART NUMBER CODING T41401-B XX X



Dimensions Antitheses List

Part No.	A	B	C	D	Wire Range	O.D
T41401-BXX1	1.92	1.83	2.77	2.92	24~22AWG	1.20~1.75
T41401-BXX2	2.98	2.77	4.26	3.93	16AWG	2.00~3.20
T41401-BXX3	2.27	2.21	3.62	4.42	20~18AWG	1.50~2.39
T41401-BXX4	1.45	1.37	2.48	1.93	28~26AWG	0.89~1.27



Tel: +86 769 82581808 FAX: +86 769 81766192
E-Mail: sales@winpin.net Http: www.winpin.net

PART NO: T41401-BXXX

TITLE: 4.14mm Female Terminal

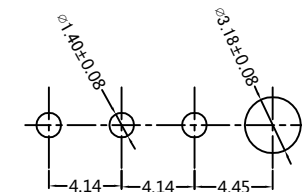
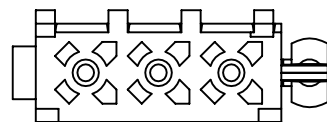
NOTES:
Current Rating:9.0AMP
Voltage Rating:600V AC/DC
Withstand Voltage:1500V AC/DC
Contact Resistance:20mΩ Max
Insulation Resistance:1000MΩ Min
Operation Temperature:-40°C to +105°C
Applicable Wires:AWG22~26#
Applicable Housing:H41401-1XXXX

Material:
Contact Material:Brass

UNLESS OTHERWISE SPECIFIED DIMENSIONS ARE IN METRIC TOLERANCES ARE:
DECIMALS Angle
X.X:±0.40 ± 3°
X.XX:±0.25
X.XXX:±0.15

SCALE	1:1
UNIT	MM
PROJ.	
SHEET	

A0	2015/06/25	NEW	GF.He	Andy	
REV	DATE	MODIFICATION DESCRIPTION	DRAW	CHANGE	APPROVE



PART NUMBER CODING

W41401-1 XX S XX X X 1

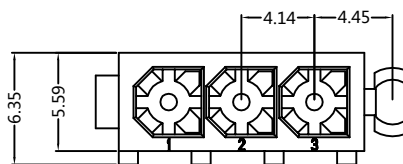
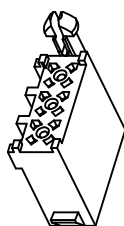
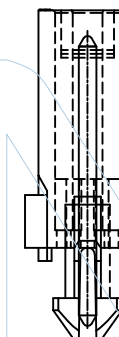
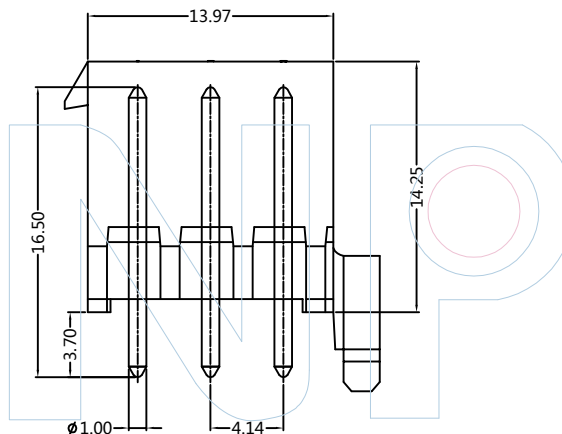
No. of pins
02--03P

Contact plating
G0:Gold Flash
G1:3U*Gold
G2:5U*Gold
G3:10U*Gold
G4:15U*Gold
G5:20U*Gold
G6:30U*Gold
S0:Gold Flash/Tin
S1:3U*Gold/Tin
S2:5U*Gold/Tin
S3:10U*Gold/Tin
S4:15U*Gold/Tin
S6:30U*Gold/Tin
SN:Tin

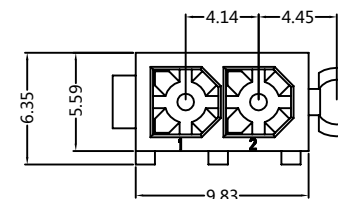
Color
W=White

Packing
B=PE Bag
T=Tube

RECOMMENDED LAYOUT FOR 1.57 THICK BOARD
TOLERANCES NON-ACCUMULATIVE



3P



2P



Tel: +86 769 82581808
E-Mail: sales@winpin.net

FAX: +86 769 81766192
Http: www.winpin.net

NOTES:
Current Rating:9.0AMP
Voltage Rating:600V AC/DC
Withstand Voltage:1500V AC/DC
Contact Resistance:20mΩ Max
Insulation Resistance:1000MΩ Min
Operation Temperature:-40°C to +105°C
Applicable Terminal:T41401-BXX1
Applicable Housing:H41401-1XXXX

Material:
Contact Material:Brass
Contact Plating:Au or Sn over Ni
Housing Material:PA66,UL94V-0

UNLESS OTHERWISE SPECIFIED DIMENSIONS ARE IN METRIC
TOLERANCES ARE:
DECIMALS Angle
X.X:±0.40 ± 3°
X.XX:±0.25
X.XXX:±0.15

SCALE	1:1
UNIT	MM
PROJ.	
SHEET	

A0	2015/06/25	NEW	GF.He	Andy	
REV	DATE	MODIFICATION DESCRIPTIO	DRAW	CHANGE	APPROVE

PART NO: W41401-1XXSXXXX1

TITLE: 4.14mm Single Row 180° DIP Wafer



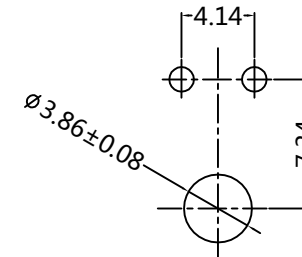
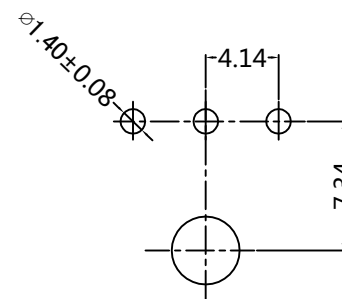
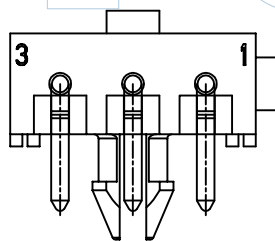
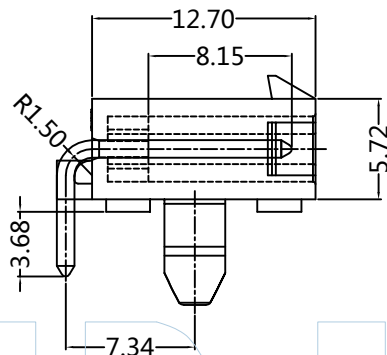
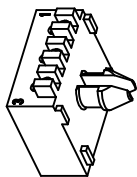
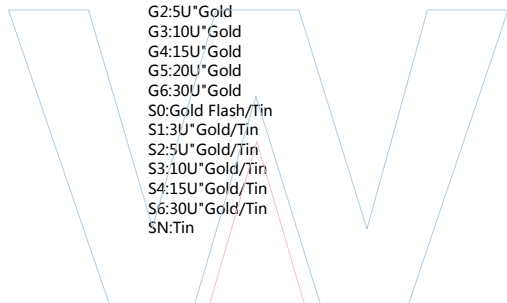
PART NUMBER CODING
W41401-1 XX R XX X X 1

No. of pins
02~03P

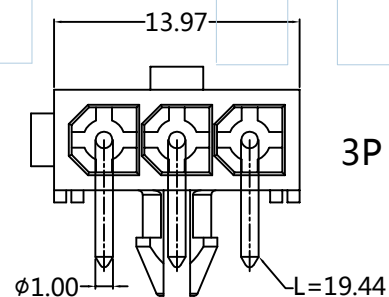
Contact plating
 G0:Gold Flash
 G1:3U*Gold
 G2:5U*Gold
 G3:10U*Gold
 G4:15U*Gold
 G5:20U*Gold
 G6:30U*Gold
 S0:Gold Flash/Tin
 S1:3U*Gold/Tin
 S2:5U*Gold/Tin
 S3:10U*Gold/Tin
 S4:15U*Gold/Tin
 S6:30U*Gold/Tin
 SN:Tin

Color
W=White

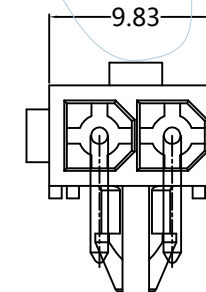
Packing
 B=PE Bag
 T=Tube



RECOMMENDED MOUNTING HOLE PATTERN FOR 1.57 THICK P.C. BOARD



3P



2P



Tel:+86 769 82581808
E-Mail:sales@winpin.net

FAX:+86 769 81766192
Http:www.winpin.net

PART NO: W41401-1XXRXXXX1

TITLE: 4.14mm Single Row 90° DIP Wafer

NOTES:
 Current Rating:9.0AMP
 Voltage Rating:600V AC/DC
 Withstand Voltage:1500V AC/DC
 Contact Resistance:20mΩ Max
 Insulation Resistance:1000MΩ Min
 Operation Temperature:-40°C to +105°C
 Applicable Terminal:T41401-BXX1
 Applicable Housing:H41401-1XXXX

Material:
 Contact Material:Brass
 Contact Plating:Au or Sn over Ni
 Housing Material:PA66,UL94V-0

UNLESS OTHERWISE SPECIFIED DIMENSIONS ARE IN METRIC
 TOLERANCES ARE:
 DECIMALS Angle
 X.X:±0.40 ± 3°
 X.XX:±0.25
 X.XXX:±0.15

SCALE	1:1	A0	2015/06/25	NEW	GF.He	Andy
UNIT	MM	REV	DATE	MODIFICATION DESCRIPTIO	DRAW	CHANGE
PROJ.						
SHEET						