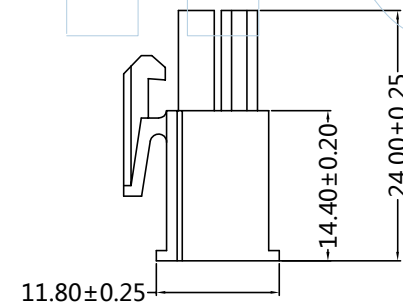
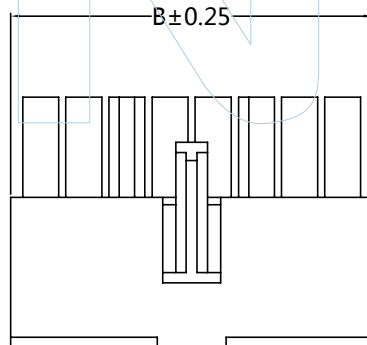
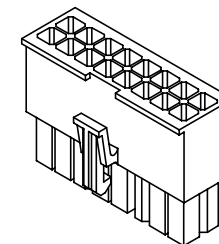
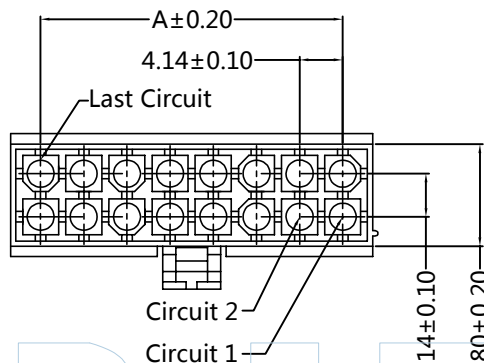




PART NUMBER CODING
H41401-2 XX X 1

No. of pins
 02~12P

Color
 W=White



Circuits	Dimensions(mm)	
	A	B
2x4P	12.42	18.47
2x5P	16.56	22.61
2x6P	20.70	26.75
2x7P	24.84	30.89
2x8P	28.98	35.03
2x9P	33.12	39.17
2x10P	37.26	43.31
2x11P	41.40	47.45
2x12P	45.54	51.59



Tel: +86 769 82581808 FAX: +86 769 81766192
 E-Mail: sales@winpin.net Http: www.winpin.net

PART NO: H41401-2XXX1

TITLE: 4.14mm Housing

NOTES:
 Current Rating: 9.0AMP
 Withstand Voltage: 1500V AC/DC
 Contact Resistance: 20mΩ Max
 Insulation Resistance: 1000MΩ Min
 Operation Temperature: -40°C to +105°C
 Applicable Terminal: T41401-BXX1

Material:
 Housing Material: PA66+30%GF (UL94V-0)

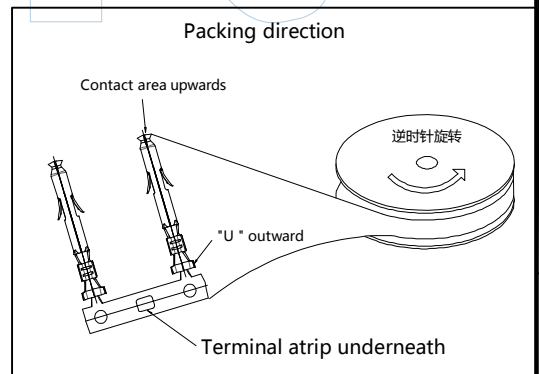
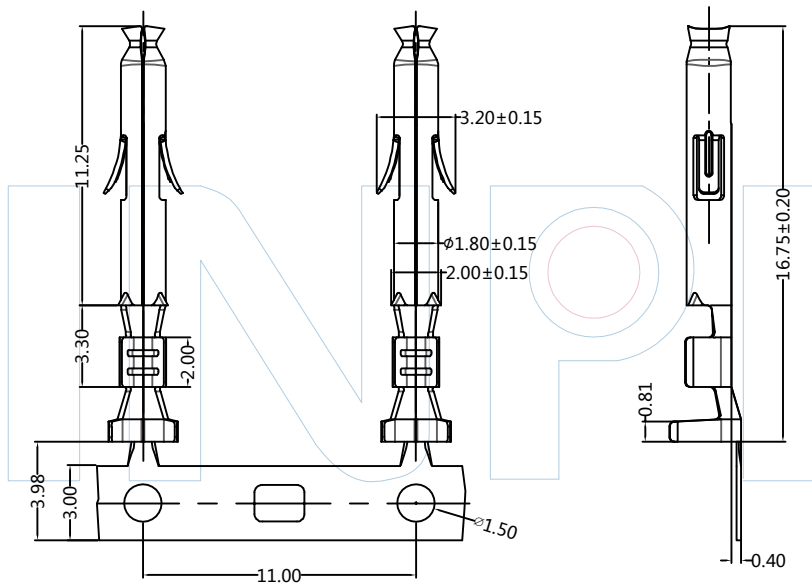
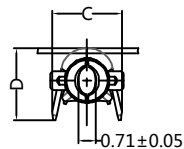
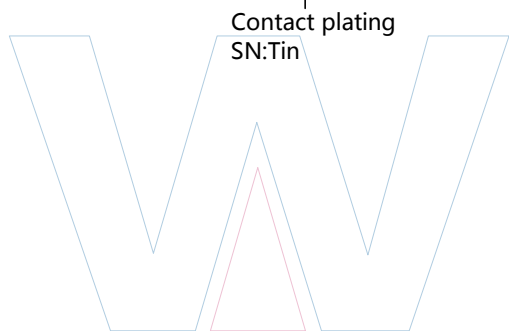
UNLESS OTHERWISE SPECIFIED DIMENSIONS ARE IN METRIC TOLERANCES ARE:
 DECIMALS Angle
 X.X: ±0.40 ± 3°
 X.XX: ±0.25
 X.XXX: ±0.15

SCALE	1:1
UNIT	MM
PROJ.	
SHEET	

A0	2015/06/25	NEW	Hua.ZT		Hua.ZT
REV	DATE	MODIFICATION DESCRIPTIO	DRAW	CHANGE	APPROVE



PART NUMBER CODING
T41401-B XX X



Dimensions Antitheses List

Part No.	A	B	C	D	Wire Range	O.D
T41401-BXX1	1.92	1.83	2.77	2.92	24~22AWG	1.20~1.75
T41401-BXX2	2.98	2.77	4.26	3.93	16AWG	2.00~3.20
T41401-BXX3	2.27	2.21	3.62	4.42	20~18AWG	1.50~2.39
T41401-BXX4	1.45	1.37	2.48	1.93	28~26AWG	0.89~1.27



Tel:+86 769 82581808 FAX:+86 769 81766192
E-Mail:sales@winpin.net Http:www.winpin.net

PART NO: T41401-BXXX

TITLE: 4.14mm Female Terminal

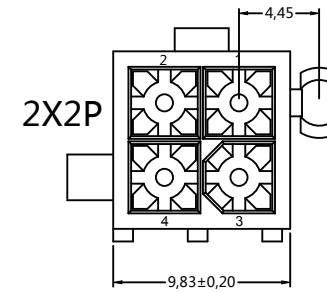
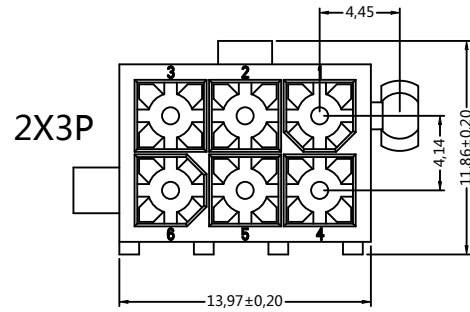
NOTES:
Current Rating:9.0AMP
Voltage Rating:600V AC/DC
Withstand Voltage:1500V AC/DC
Contact Resistance:20mΩ Max
Insulation Resistance:1000MΩ Min
Operation Temperature:-40°C to +105°C
Applicable Wires:AWG22~26#
Applicable Housing:H41401-1XXXX

Material:
Contact Material:Brass

UNLESS OTHERWISE SPECIFIED DIMENSIONS ARE IN METRIC TOLERANCES ARE:
DECIMALS Angle
X.X:±0.40 ± 3°
X.XX:±0.25
X.XXX:±0.15

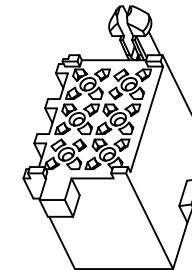
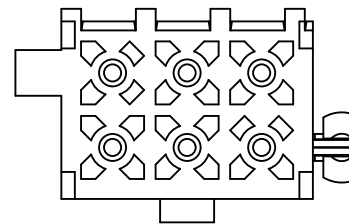
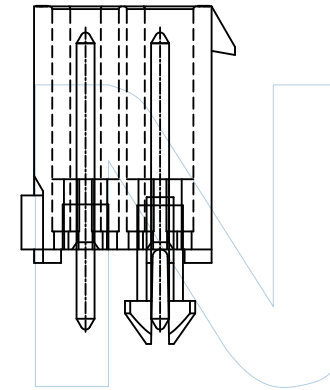
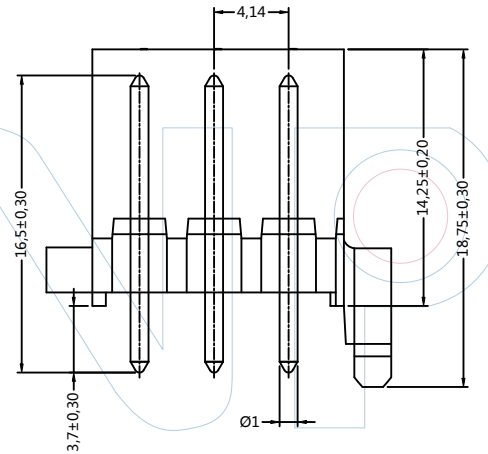
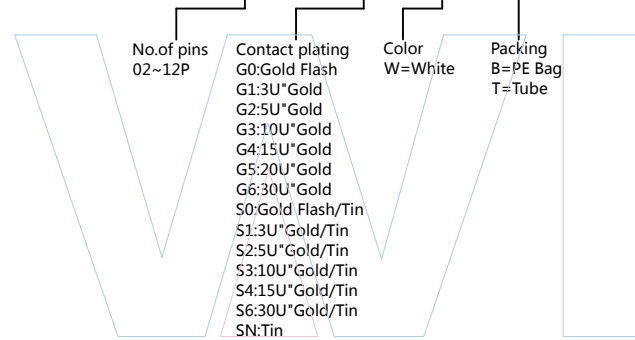
SCALE	1:1
UNIT	MM
PROJ.	
SHEET	

A0	2015/06/25	NEW	GF.He	Andy	
REV	DATE	MODIFICATION DESCRIPTIO	DRAW	CHANGE	APPROVE



PART NUMBER CODING

W41401-2 XX S XX X X 1



Tel: +86 769 82581808 FAX: +86 769 81766192
E-Mail: sales@winpin.net Http: www.winpin.net

PART NO: W41401-2XXSXXXX1

TITLE: 4.14mm Double Row 180° DIP Wafer

NOTES:
Current Rating:9.0AMP
Voltage Rating:600V AC/DC
Withstand Voltage:1500V AC/DC
Contact Resistance:20mΩ Max
Insulation Resistance:1000MΩ Min
Operation Temperature:-40°C to +105°C

MATERIAL:
Contact :Brass
Contact Plating:Au or Sn over Ni
Housing :PA66,UL94V-0

UNLESS OTHERWISE SPECIFIED DIMENSIONS ARE IN METRIC
TOLERANCES ARE:
DECIMALS Angle
X.X:±0.40 ± 3°
X.XX:±0.25
X.XXX:±0.15

SCALE 1:1
UNIT MM
PROJ.
SHEET 1/2

A0	2020/11/20	NEW	GF.He		Andy
REV	DATE	MODIFICATION DESCRIPTIO	DRAW	CHANGE	APPROVE



PART NUMBER CODING

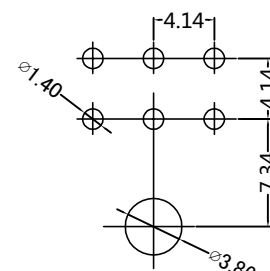
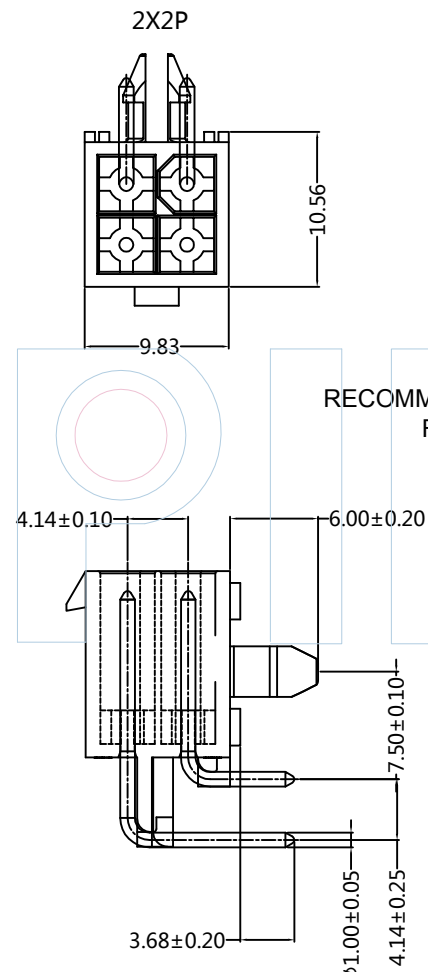
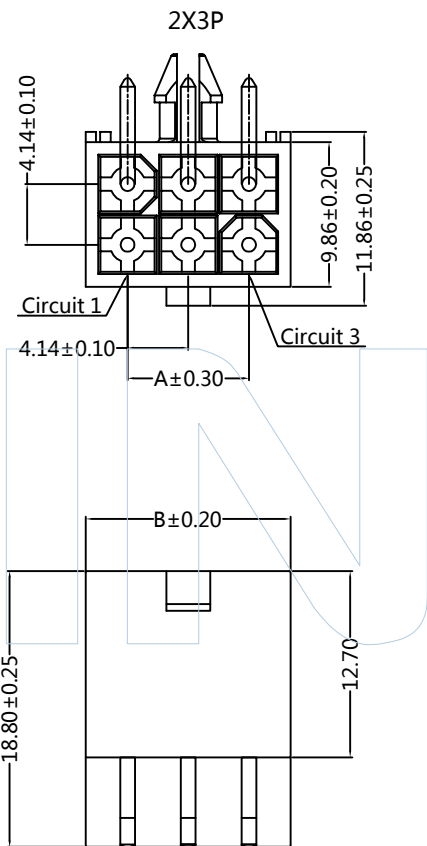
W41401-2 XX R XX X X 1

No. of pins
02~12P

Contact plating
G0:Gold Flash
G1:3U*Gold
G2:5U*Gold
G3:10U*Gold
G4:15U*Gold
G5:20U*Gold
G6:30U*Gold
S0:Gold Flash/Tin
S1:3U*Gold/Tin
S2:5U*Gold/Tin
S3:10U*Gold/Tin
S4:15U*Gold/Tin
S6:30U*Gold/Tin
SN:Tin

Color
W=White

Packing
B=PE Bag



RECOMMENDED MOUNTING HOLE PATTERN FOR 1.57 THICK P.C. BOARD

Pins	Dimensions	
	A	B
2*2	4.14	10.10
2*3	8.28	14.24
2*4	12.42	18.38
2*5	16.56	22.52
2*6	20.70	26.66
2*7	24.84	30.80
2*8	28.98	34.94
2*9	33.12	39.08
2*10	37.26	43.22
2*11	41.40	47.36
2*12	45.54	51.50

Tel: +86 769 82581808 FAX: +86 769 81766192
E-Mail: sales@winpin.net Http: www.winpin.net

PART NO: W41401-2XXRXXXX1
TITLE: 4.14mm Dual Row 90° DIP Wafer

NOTES:
Current Rating:9.0AMP
Voltage Rating:600V AC/DC
Withstand Voltage:1500V AC/DC
Contact Resistance:20mΩ Max
Insulation Resistance:1000MΩ Min
Operation Temperature:-40°C to +105°C
Applicable Terminal:T41401-BXX1
Applicable Housing:H41401-2XXX1

Material:
Contact Material:Brass
Contact Plating:Au or Sn over Ni Plating
Housing Material:PA66,UL94V-0(White)

UNLESS OTHERWISE SPECIFIED DIMENSIONS ARE IN METRIC
TOLERANCES ARE:
DECIMALS Angle
X.X:±0.40 ± 3°
X.XX:±0.25
X.XXX:±0.15

SCALE 1:1
UNIT MM
PROJ.

A0	2015/06/25	NEW	GF.He	Andy	
REV	DATE	MODIFICATION DESCRIPTIO	DRAW	CHECKED	APPROVE