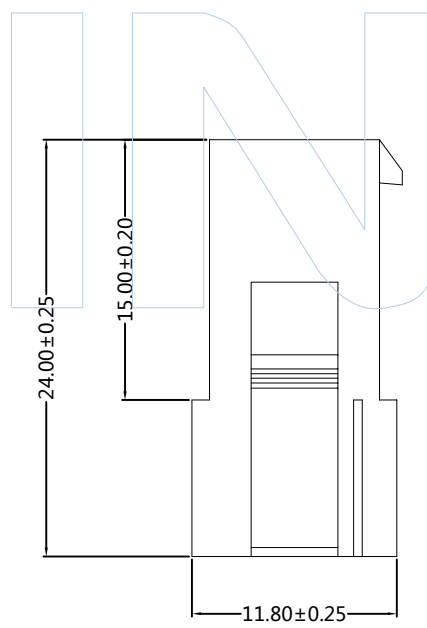
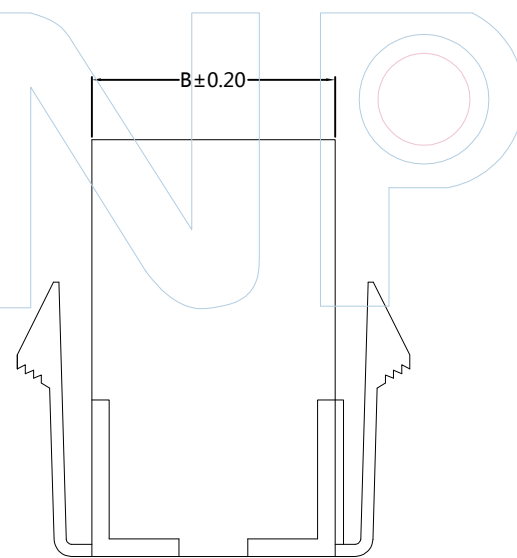
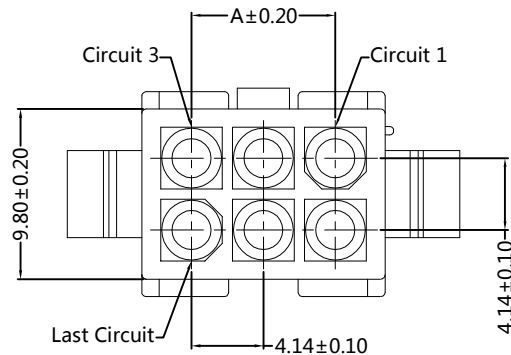
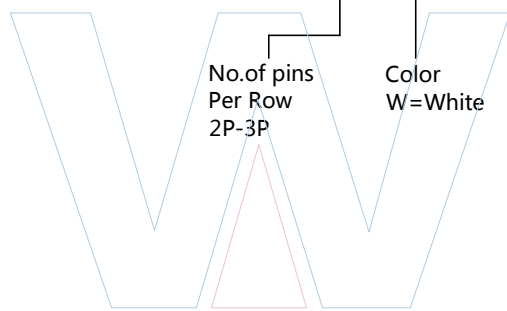




PART NUMBER CODING

H41402-2 XX X 1



Circuits	Dimensions(mm)		Circuits	Dimensions(mm)	
	A	B		A	B
2x2P	4.14	9.80	2x3P	8.28	14.00



Tel: +86 769 82581808 FAX: +86 769 81766192
 E-Mail: sales@winpin.net Http: www.winpin.net

PART NO: H41402-2XXX1

TITLE: 4.14mm PITCH HOUSING

NOTES:
 Current Rating: 9.0AMP
 Voltage Rating: 600V AC/DC
 Withstand Voltage: 1500V AC/DC
 Contact Resistance: 20mΩ Max
 Insulation Resistance: 1000MΩ Min
 Operation Temperature: -40°C to +105°C
 Applicable Terminal: T41402-XXX1

Material:
 Housing Material: PA66+30%GF (UL94V-0)

UNLESS OTHERWISE SPECIFIED DIMENSIONS ARE IN METRIC
 TOLERANCES ARE:
 DECIMALS Angle
 X.X: ±0.40 ± 3°
 X.XX: ±0.25
 X.XXX: ±0.15

SCALE	1:1
UNIT	MM
PROJ.	
SHEET	

A0	2019/06/25	NEW	ChaoLong.Yuan	ChaoLong.Yuan	
REV	DATE	MODIFICATION DESCRIPTION	DRAW	CHANGE	APPROVE

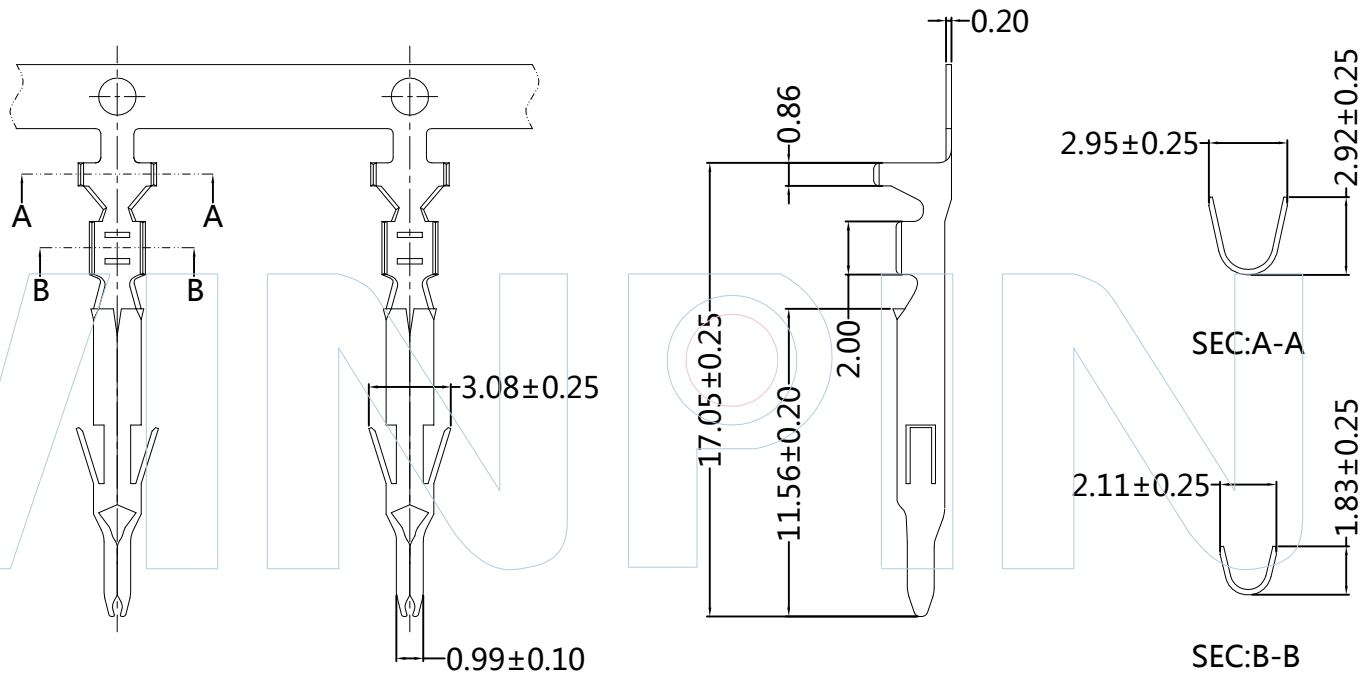


PART NUMBER CODING

T41402- X XX 1

Contact Material
B:Brass
P:Phosphor Bronze

Contact plating
G0:Gold Flash
G1:3U*Gold
G2:5U*Gold
G3:10U*Gold
G4:15U*Gold
G5:20U*Gold
G6:30U*Gold
S0:Gold Flash/Tin
S1:3U*Gold/Tin
S2:5U*Gold/Tin
S3:10U*Gold/Tin
S4:15U*Gold/Tin
S6:30U*Gold/Tin
SN:Tin



Wire Range	Insulation O.D.	Material	Finish	Qty/reel
AWG#22-#26	1.75mm(max)	Brass	Tin over Nickel	4,000 PCS
AWG#22-#26	1.75mm(max)	Phosphor Bronze	Tin over Nickel	4,000 PCS
AWG#22-#26	1.75mm(max)	Brass	Gold over Nickel	4,000 PCS
AWG#22-#26	1.75mm(max)	Phosphor Bronze	Gold over Nickel	4,000 PCS



Tel:+86 769 82581808 FAX:+86 769 81766192
E-Mail:sales@winpin.net Http:www.winpin.net

PART NO: T41402-XXX1

TITLE: 4.14mm Terminal

NOTES:
Current Rating:9.0AMP
Voltage Rating:600V AC/DC
Withstand Voltage:1500V AC/DC
Contact Resistance:20mΩ Max
Insulation Resistance:1000MΩ Min
Operation Temperature:-40°C to +105°C
Applicable Wires:AWG22~26#
Applicable Housing:H41402-2XXXX

Material:
Contact Material:Brass/Phosphor Bronze

UNLESS OTHERWISE SPECIFIED DIMENSIONS ARE IN METRIC TOLERANCES ARE:
DECIMALS Angle
X.X:±0.40 ± 3°
X.XX:±0.25
X.XXX:±0.15

SCALE 1:1
UNIT MM
PROJ.

SCALE	UNIT	PROJ.	SHEET	REV	DATE	MODIFICATION DESCRIPTION	DRAW	CHANGE	APPROVE
1:1	MM			A0	2019/06/25	NEW	ChaoLong.Yuan		ChaoLong.Yuan