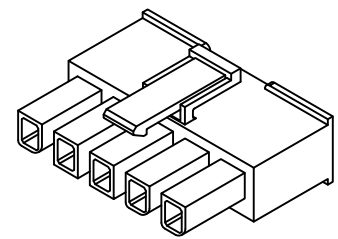
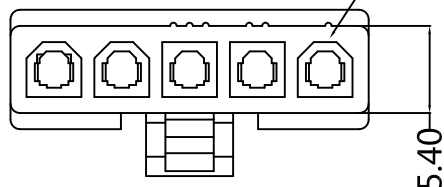


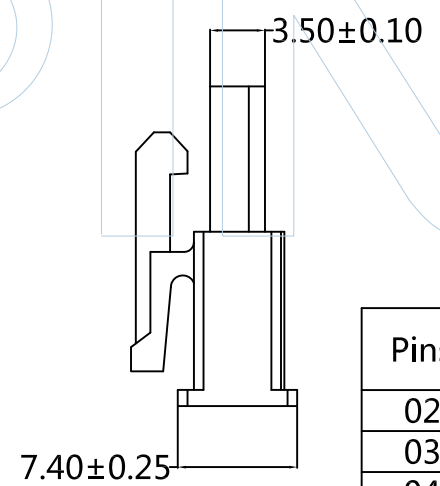
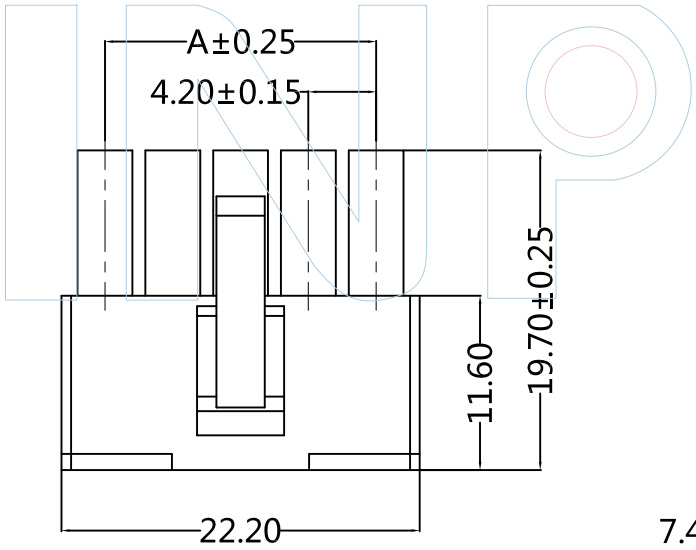
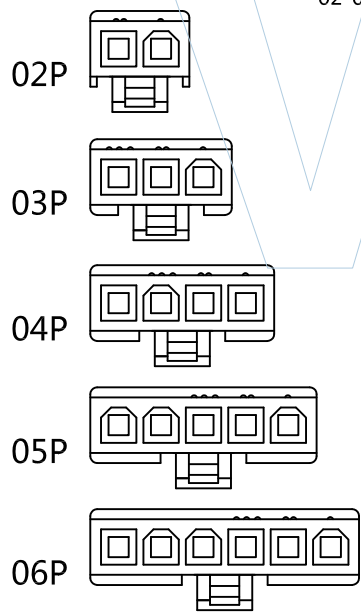
Circuit 1



PART NUMBER CODING
H42002-1 XX X 1

No. of pins
02-06P

Color
W=White
B=Black



Pins	Dimensions	
	A	B
02	4.20	9.60
03	8.40	13.80
04	12.60	18.00
05	16.80	22.20
06	21.00	26.40

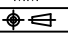


Tel: +86 769 82581808 FAX: +86 769 81766192
 E-Mail: sales@winpin.net Http: www.winpin.net

NOTES:
 Current Rating: 7.0AMP
 Voltage Rating: 600V AC/DC
 Withstand Voltage: 1500V AC/minute
 Contact Resistance: 20mΩ Max
 Insulation Resistance: 1000MΩ Min
 Operation Temperature: -25°C to +85°C
 Applicable Wire: AWG#20-#24
 Applicable Terminal: T42002-XXX1

Material:
 Housing Material: PA66(UL94V-2)

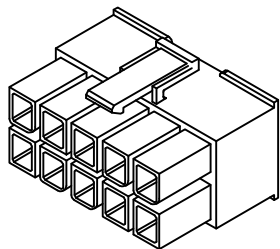
UNLESS OTHERWISE SPECIFIED DIMENSIONS ARE IN METRIC
 TOLERANCES ARE:
 DECIMALS Angle
 X.X: ±0.40 ± 3°
 X.XX: ±0.25
 X.XXX: ±0.15

SCALE	1:1
UNIT	MM
PROJ.	
SHEET	

A0	2019/06/25	NEW	Myron.Yuan		Myron.Yuan
REV	DATE	MODIFICATION DESCRIPTION	DRAW	CHANGE	APPROVE

PART NO: H42002-1XXX1

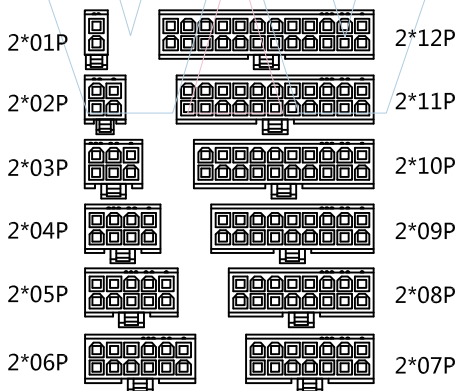
TITLE: 4.2 Housing Single ROW



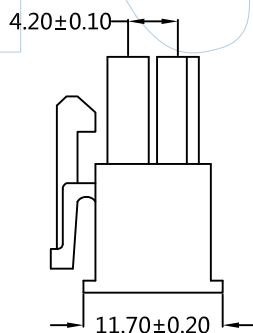
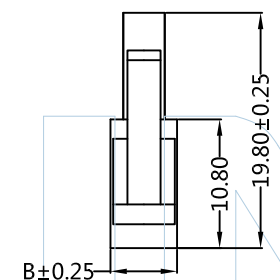
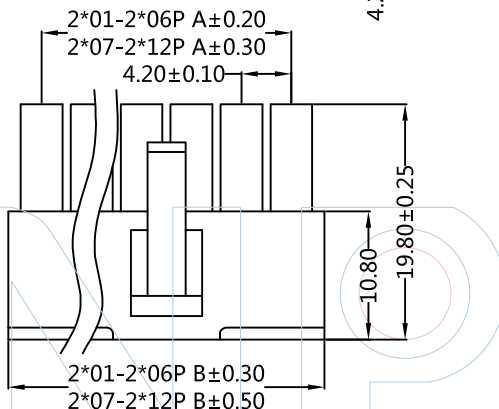
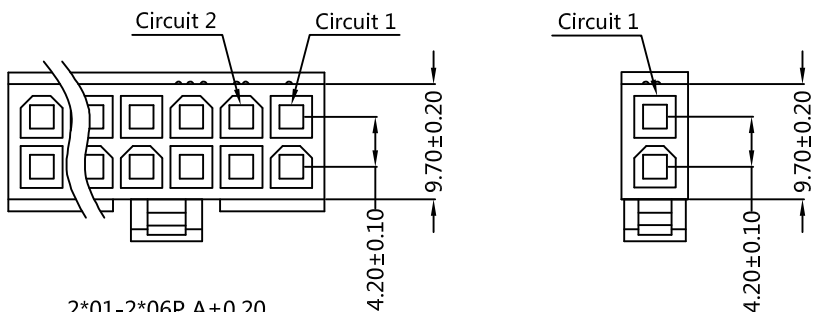
PART NUMBER CODING

H42002-2 XX X 1

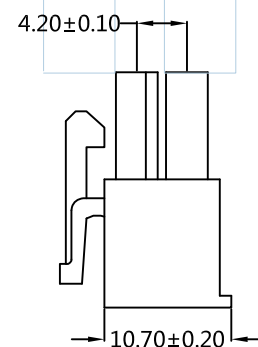
No. of pins
01-12P
Color
W=White
B=Black



CIRCUIT SIZE LAYOUT



2x02P~2x12P



2x01P

Pins	Dimensions	
	A	B
2*01	--	5.60
2*02	4.20	9.80
2*03	8.40	14.00
2*04	12.60	18.20
2*05	16.80	22.40
2*06	21.00	26.60
2*07	25.20	30.80
2*08	29.40	35.00
2*09	33.60	39.20
2*10	37.80	43.40
2*11	42.00	47.60
2*12	46.20	51.80



Tel: +86 769 82581808 FAX: +86 769 81766192
E-Mail: sales@winpin.net Http: www.winpin.net

PART NO: H42002-2XXX1

TITLE: 4.20mm Housing Dual Row

NOTES:
Current Rating: 7AMP
Voltage Rating: 600V AC/DC
Withstand Voltage: 1500V AC/minute
Contact Resistance: 20mΩ Max
Insulation Resistance: 1000MΩ Min
Operation Temperature: -25°C to +85°C
Applicable Terminal: T42002 Series
Applicable Wafer: W42002 Series

MATERIAL:
Insulation Material: PA66 ,UL94V-2

UNLESS OTHERWISE SPECIFIED DIMENSIONS ARE IN METRIC TOLERANCES ARE:
DECIMALS Angle
X.X: ±0.40 ± 3°
X.XX: ±0.25
X.XXX: ±0.15

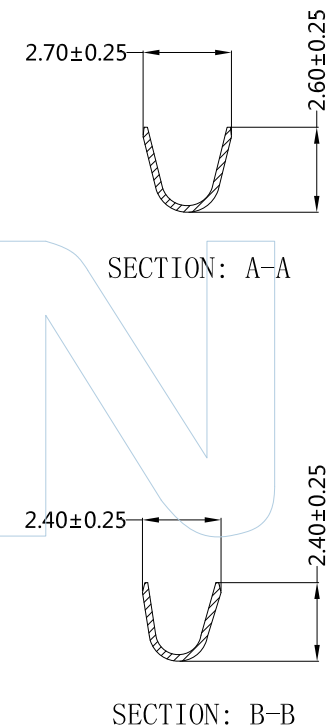
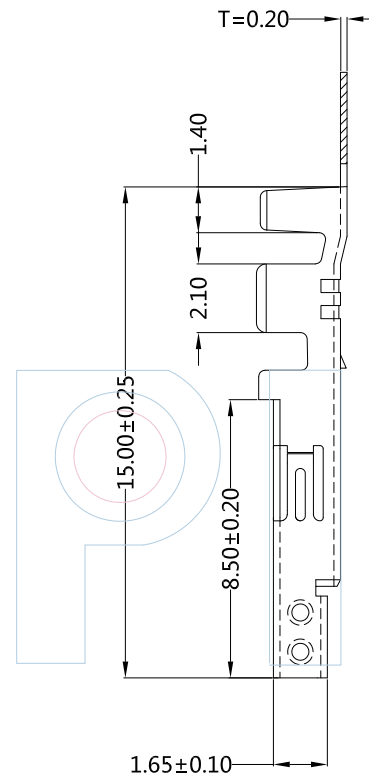
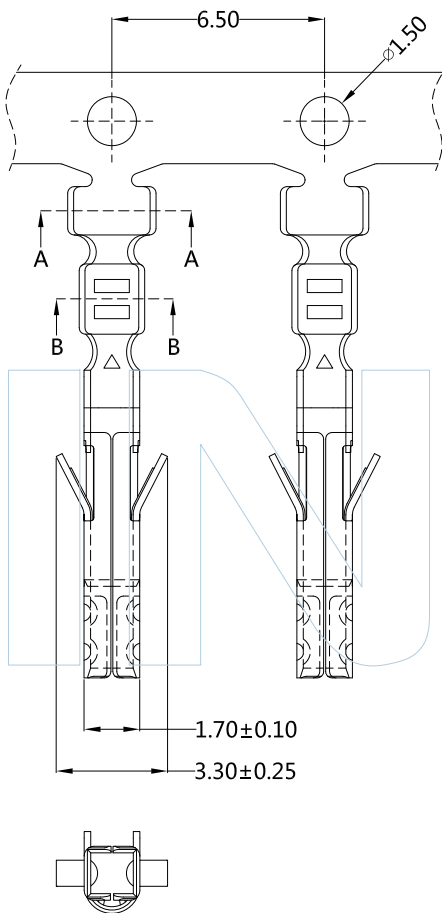
SCALE	1:1
UNIT	MM
PROJ.	
SHEET	

A0	2015/06/25	NEW	Hua.ZT		Hua.ZT
REV	DATE	MODIFICATION DESCRIPTIO	DRAW	CHANGE	APPROVE

PART NUMBER CODING
T42002-X XX 1

Material
 B=Brass
 P=Phosphor bronze

Contact plating
 G0:Gold Flash
 G1:3U"Gold
 G2:5U"Gold
 G3:10U"Gold
 G4:15U"Gold
 G5:20U"Gold
 G6:30U"Gold
 S0:Gold Flash/Tin
 S1:3U"Gold/Tin
 S2:5U"Gold/Tin
 S3:10U"Gold/Tin
 S4:15U"Gold/Tin
 S6:30U"Gold/Tin
 SN:Tin



Tel:+86 769 82581808 FAX:+86 769 81766192
 E-Mail:sales@winpin.net Http:www.winpin.net

PART NO: T42002-XXX1

TITLE: 4.20mm Terminal Female

NOTES:
 Current Rating:7.0AMP
 Voltage Rating:600V AC/DC
 Withstand Voltage:1500V AC/minute
 Contact Resistance:20mΩ Max
 Insulation Resistance:1000MΩ Min
 Operation Temperature:-25°C to +85°C
 Applicable Wire: AWG#20-#24
 Applicable Housing:H42002-XXXX1

Material:
 Current Material:Brass or Phosphor Bronze
 Contact Plating: Sn over Ni

UNLESS OTHERWISE SPECIFIED DIMENSIONS ARE IN METRIC
 TOLERANCES ARE:
 DECIMALS Angle
 X.X:±0.40 ± 3°
 X.XX:±0.25
 X.XXX:±0.15

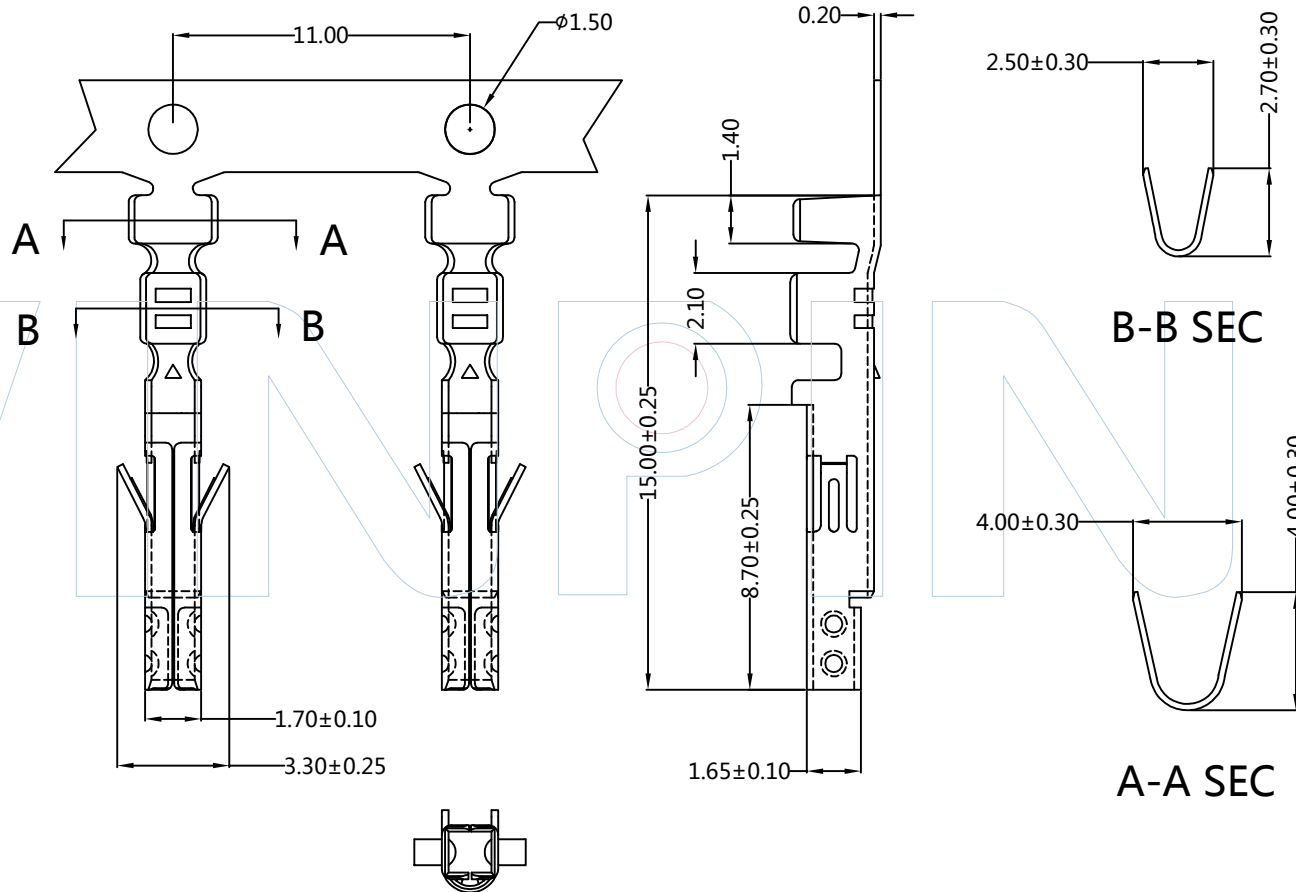
SCALE	1:1
UNIT	MM
PROJ.	
SHEET	

A0	2015/06/25	NEW	Hua.ZT		Hua.ZT
REV	DATE	MODIFICATION DESCRIPTIO	DRAW	CHANGE	APPROVE

PART NUMBER CODING
T42002-X XX 2

Material
 B=Brass
 P=Phosphor bronze

Contact plating
 G0:Gold Flash
 G1:3U"Gold
 G2:5U"Gold
 G3:10U"Gold
 G4:15U"Gold
 G5:20U"Gold
 G6:30U"Gold
 S0:Gold Flash/Tin
 S1:3U"Gold/Tin
 S2:5U"Gold/Tin
 S3:10U"Gold/Tin
 S4:15U"Gold/Tin
 S6:30U"Gold/Tin
 SN:Tin



Tel:+86 769 82581808 FAX:+86 769 81766192
 E-Mail:sales@winpin.net Http:www.winpin.net

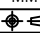
PART NO: T42002-XXX2

TITLE: 4.20mm Female Terminal

NOTES:
 Current Rating:7A AC/DC
 Withstand Voltage:1500V AC/DC
 Contact Resistance:20mΩ Max
 Insulation Resistance:1000MΩ Min
 Operation Temperature:-25°C to +85°C
 Applicable Wire :AWG#18-22
 Applicable Terminal:T42002 Series
 Applicable Housing:H42002 Series

MATERIAL:
 Contact:Phosphor Bronze or Brass
 Contact Plating:Au or Sn over Ni

UNLESS OTHERWISE SPECIFIED DIMENSIONS ARE IN METRIC TOLERANCES ARE:
 DECIMALS Angle
 X.X:±0.40 ± 3°
 X.XX:±0.25
 X.XXX:±0.15

SCALE 1:1
 UNIT MM
 PROJ. 
 SHEET

A0	2015/06/25	NEW	Hua.ZT	Hua.ZT	
REV	DATE	MODIFICATION DESCRIPTIO	DRAW	CHANGE	APPROVE

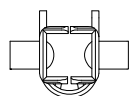
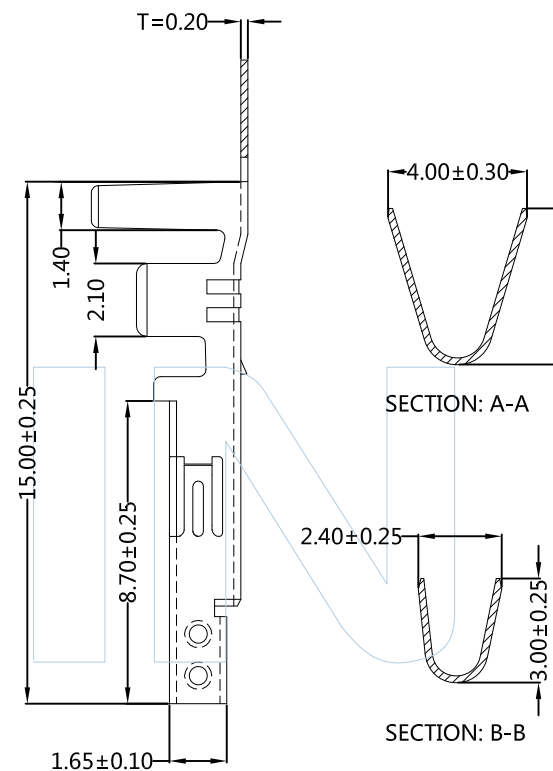
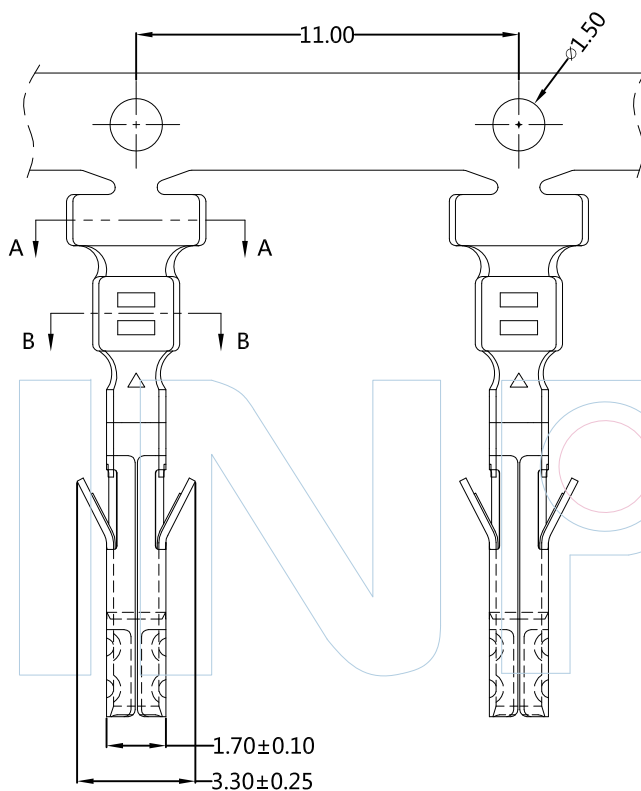


PART NUMBER CODING

T42002-X XX 3

Material
 B=Brass
 P=Phosphor bronze

Contact plating
 G0:Gold Flash
 G1:3U"Gold
 G2:5U"Gold
 G3:10U"Gold
 G4:15U"Gold
 G5:20U"Gold
 G6:30U"Gold
 S0:Gold Flash/Tin
 S1:3U"Gold/Tin
 S2:5U"Gold/Tin
 S3:10U"Gold/Tin
 S4:15U"Gold/Tin
 S6:30U"Gold/Tin
 SN:Tin



Tel:+86 769 82581808 FAX:+86 769 81766192
 E-Mail:sales@winpin.net Http:www.winpin.net

PART NO: T42002-XXX3

TITLE: 4.20mm Female Terminal

NOTES:
 Current Rating:7A AC/DC
 VoltageRating: 600V AC/DC
 Withstand Voltage:1500V AC/Minute
 Contact Resistance:20mΩ Max
 Insulation Resistance:1000MΩ Min
 Operation Temperature:-25°C~+85°C
 Applicable Wire :AWG#16-#18
 APplicable Housing:H42002 Series
 Applicable Wafer:W42002 Series

MATERIAL:
 Contact :Phosphor Bronze or Brass
 Contact Plating:Au or Sn over Ni

UNLESS OTHERWISE SPECIFIED DIMENSIONS ARE IN METRIC TOLERANCES ARE:
 DECIMALS Angle
 X.X:±0.40 ± 3°
 X.XX:±0.25
 X.XXX:±0.15

SCALE	1:1
UNIT	MM
PROJ.	
SHEET	

A0	2019/06/25	NEW	Jason.Huang		Jason.Huang
REV	DATE	MODIFICATION DESCRIPTIO	DRAW	CHANGE	APPROVE



PART NUMBER CODING

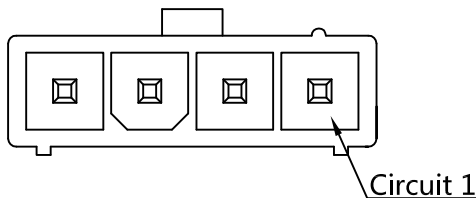
W42002-1 XX S XX X X 1

No. of pins
02-06P

Contact plating
G0:Gold Flash
G1:3U"Gold
G2:5U"Gold
G3:10U"Gold
G4:15U"Gold
G5:20U"Gold
G6:30U"Gold
S0:Gold Flash/Tin
S1:3U"Gold/Tin
S2:5U"Gold/Tin
S3:10U"Gold/Tin
S4:15U"Gold/Tin
S6:30U"Gold/Tin
SN:Tin

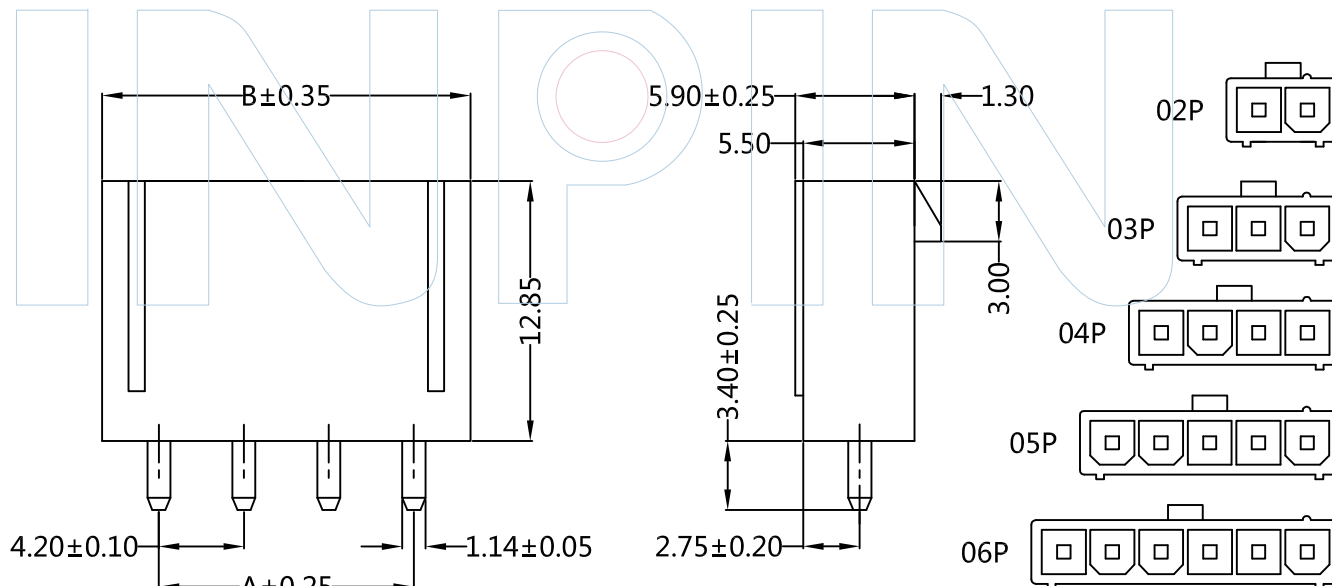
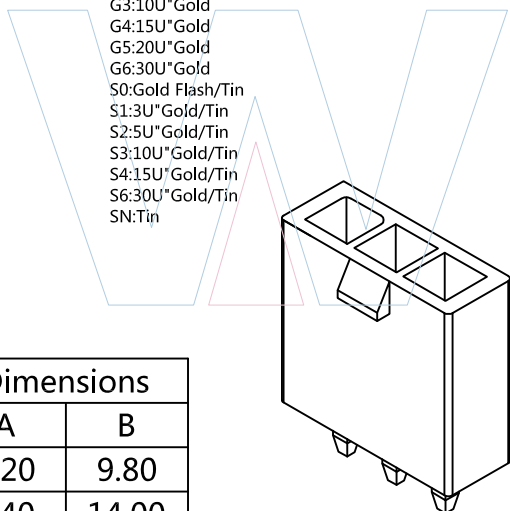
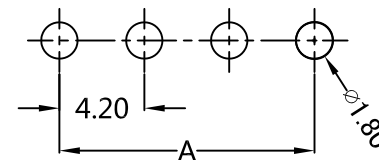
Color
W=White
B=Black

Packing
B=PE Bag



Recommended P.C.B Layout(Top Side)

(PCB BOARD TOLERANCE±0.05)



Pins	Dimensions	
	A	B
02	4.20	9.80
03	8.40	14.00
04	12.60	18.20
05	16.80	22.40
06	21.00	26.60

Tel: +86 769 82581808 FAX: +86 769 81766192
E-Mail: sales@winpin.net Http: www.winpin.net

PART NO: W42002-1XXSXXX1
TITLE: 4.2 Wafer Single Row 180°DIP

NOTES:
Current Rating:7.0AMP
Voltage Rating:600V AC/DC
Withstand Voltage:1500V AC/minute
Contact Resistance:20mΩ Max
Insulation Resistance:1000MΩ Min
Operation Temperature:-25°C to +85°C
Applicable Terminal:T42002-XXX1
Applicable Housing:H42002-1XXX1

Material:
Contact Material:Brass
Contact Plating:Au or Sn over Ni
Insulator Material:PA66(UL94V-2)

UNLESS OTHERWISE SPECIFIED DIMENSIONS ARE IN METRIC
TOLERANCES ARE:
DECIMALS Angle
X.X:±0.40 ± 3°
X.XX:±0.25
X.XXX:±0.15

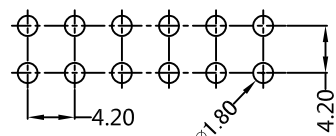
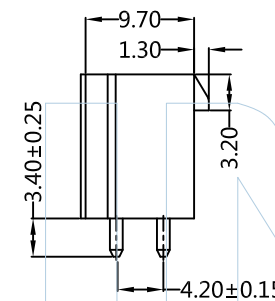
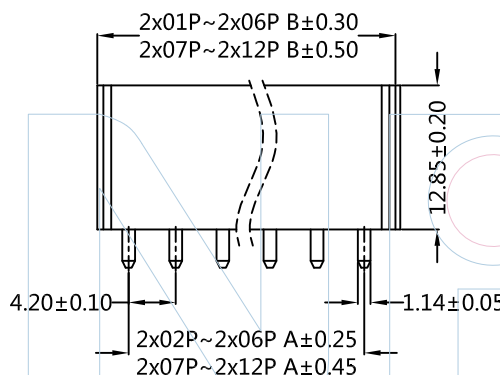
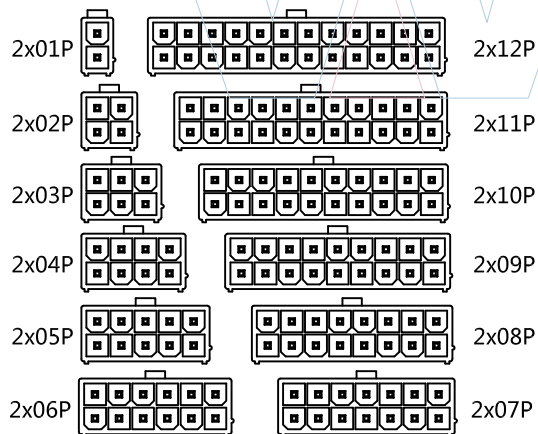
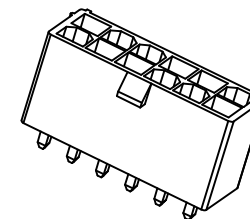
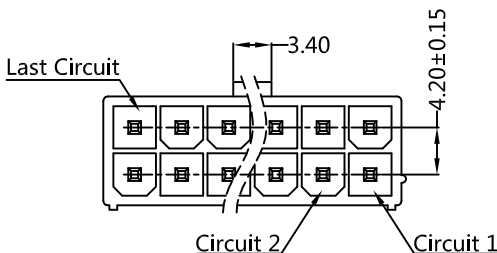
SCALE 1:1
UNIT MM
PROJ.
SHEET

A0	2019/06/25	NEW	Myron.Yuan		Myron.Yuan
REV	DATE	MODIFICATION DESCRIPTION	DRAW	CHANGE	APPROVE



PART NUMBER CODING
W42002-2 XX S XX X X 1

No. of pins: 02-12P
 Contact plating: G0:Gold Flash, G1:3U"Gold, G2:5U"Gold, G3:10U"Gold, G4:15U"Gold, G5:20U"Gold, G6:30U"Gold, S0:Gold Flash/Tin, S1:3U"Gold/Tin, S2:5U"Gold/Tin, S3:10U"Gold/Tin, S4:15U"Gold/Tin, S6:30U"Gold/Tin, SN:Tin
 Color: W=White, B=Black
 Packing: B=PE Bag



Recommended P.C.B Layout(Top Side)
 (PCB BOARD TOLERANCE±0.05)

Pins	Dimensions	
	A	B
2*01	--	5.60
2*02	4.20	9.80
2*03	8.40	14.00
2*04	12.60	18.20
2*05	16.80	22.40
2*06	21.00	26.60
2*07	25.20	30.80
2*08	29.40	35.00
2*09	33.60	39.20
2*10	37.80	43.40
2*11	42.00	47.60
2*12	46.20	51.80



Tel: +86 769 82581808 FAX: +86 769 81766192
 E-Mail: sales@winpin.net Http: www.winpin.net

PART NO: W42002-2XXSXXXX1

TITLE: 4.20mm Wafer Dual Row 180° DIP

NOTES:
 Current Rating: 7AMP
 Voltage Rating: 600V AC/DC
 Withstand Voltage: 1500V AC/Minute
 Contact Resistance: 20mΩ Max
 Insulation Resistance: 1000MΩ Min
 Operation Temperature: -25°C ~ +85°C
 Applicable Housing: H42002 Series
 Applicable Terminal: T42002 Series

MATERIAL:
 Contact Material: Brass
 Contact Plating: Au or Sn over Ni
 Insulator Material: PA66, UL94V-2

UNLESS OTHERWISE SPECIFIED DIMENSIONS ARE IN METRIC
 TOLERANCES ARE:
 DECIMALS Angle
 X.X: ±0.40 ± 3°
 X.XX: ±0.25
 X.XXX: ±0.15

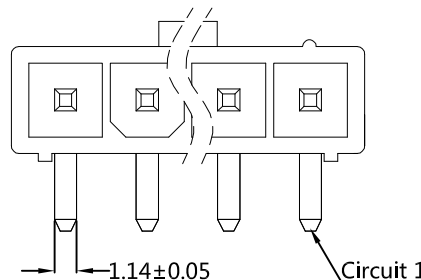
SCALE: 1:1
 UNIT: MM
 PROJ.
 SHEET

A0	2019/06/25	NEW	Myron.Yuan		Myron.Yuan
REV	DATE	MODIFICATION DESCRIPTION	DRAW	CHANGE	APPROVE

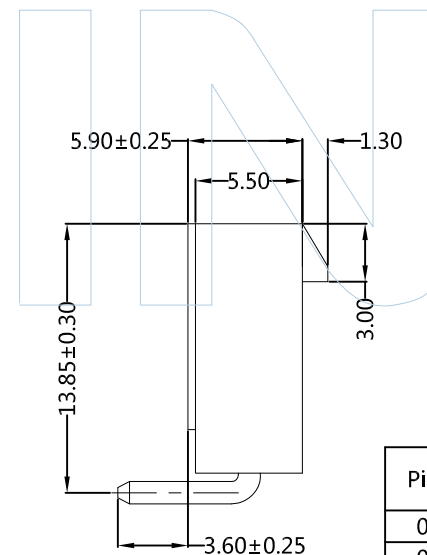
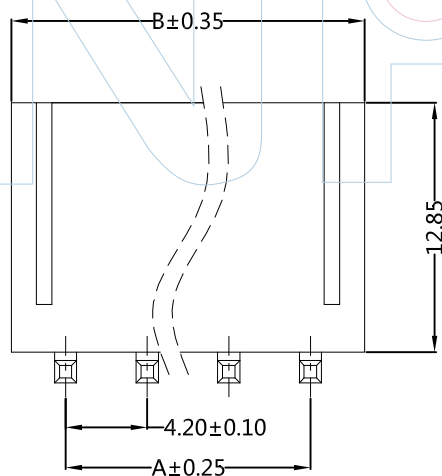
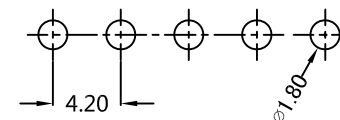


PART NUMBER CODING
W42002-1 XX R XX X X 1

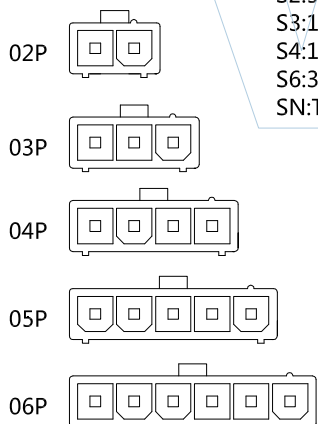
No. of pins: 02-06P
 Contact plating: G0:Gold Flash, G1:3U"Gold, G2:5U"Gold, G3:10U"Gold, G4:15U"Gold, G5:20U"Gold, G6:30U"Gold, S0:Gold Flash/Tin, S1:3U"Gold/Tin, S2:5U"Gold/Tin, S3:10U"Gold/Tin, S4:15U"Gold/Tin, S6:30U"Gold/Tin, SN:Tin
 Color: W=White, B=Black
 Packing: B=PE Bag



Recommended P.C.B Layout(Top Side)
 (PCB BOARD TOLERANCE±0.05)



Pins	Dimensions	
	A	B
02	4.20	9.80
03	8.40	14.00
04	12.60	18.20
05	16.80	22.40
06	21.00	26.60



CIRCUIT SIZE LAYOUT



Tel:+86 769 82581808 FAX:+86 769 81766192
 E-Mail:sales@winpin.net Http://www.winpin.net

PART NO: W42002-1XXRXXX1

TITLE: 4.20 Wafer Single Row 90°DIP

NOTES:
 Current Rating:7.0AMP
 Voltage Rating:600V AC/DC
 Withstand Voltage:1500V AC/minute
 Contact Resistance:20mΩ Max
 Insulation Resistance:1000MΩ Min
 Operation Temperature:-25°C to +85°C
 Applicable Terminal:T42002-XXX1
 Applicable Housing:H42002-1XXX1

Material:
 Contact Material:Brass
 Contact Plating:Au or An over Ni
 Housing Material:PA66(UL94V-2)

UNLESS OTHERWISE SPECIFIED DIMENSIONS ARE IN METRIC
 TOLERANCES ARE:
 DECIMALS Angle
 X.X:±0.40 ± 3°
 X.XX:±0.25
 X.XXX:±0.15

SCALE 1:1
 UNIT MM
 PROJ.
 SHEET

A0	2019/06/25	NEW	Myron.Yuan		Myron.Yuan
REV	DATE	MODIFICATION DESCRIPTION	DRAW	CHANGE	APPROVE



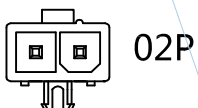
PART NUMBER CODING
W42002-1 XX R XX X X 2

No. of pins
02-06P

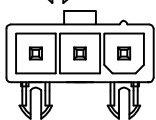
Contact plating
 G0:Gold Flash
 G1:3U"Gold
 G2:5U"Gold
 G3:10U"Gold
 G4:15U"Gold
 G5:20U"Gold
 G6:30U"Gold
 S0:Gold Flash/Tin
 S1:3U"Gold/Tin
 S2:5U"Gold/Tin
 S3:10U"Gold/Tin
 S4:15U"Gold/Tin
 S6:30U"Gold/Tin
 SN:Tin

Color
 W=White
 B=Black

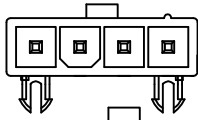
Packing
 A=Tray



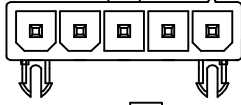
02P



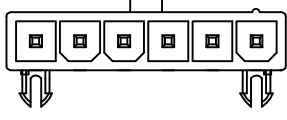
03P



04P

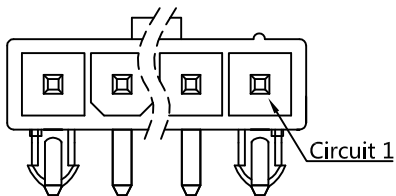
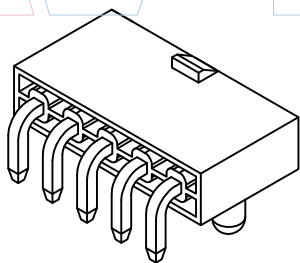


05P



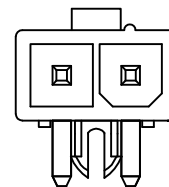
06P

CIRCUIT SIZE LAYOUT

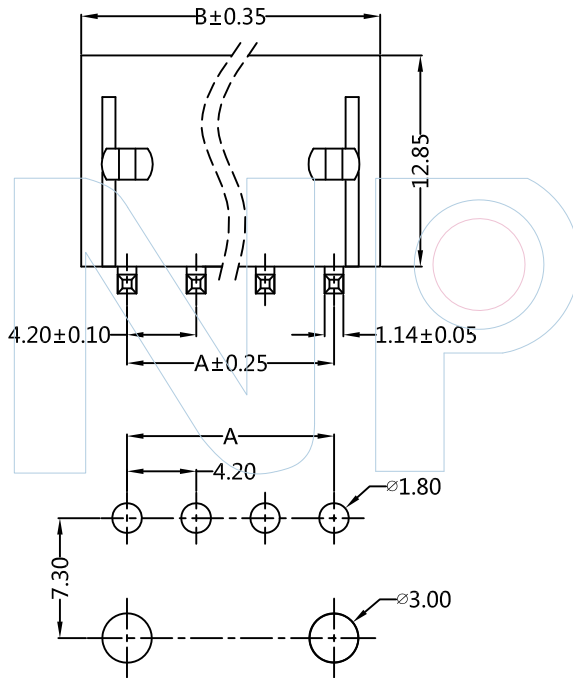


Circuit 1

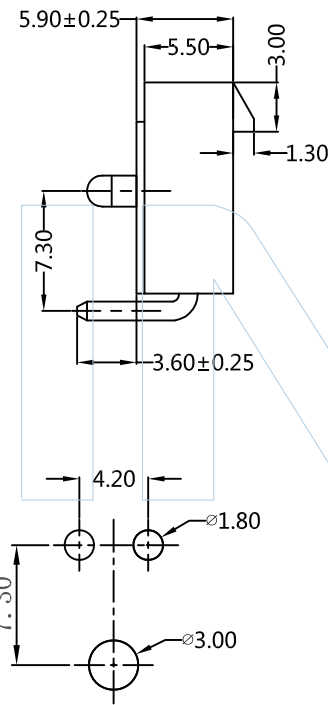
03P~06P



02P



03P~06P



02P

Recommended P.C.B Layout(Top Side)
(PCB BOARD TOLERANCE±0.05)

Pins	Dimensions	
	A	B
02	4.20	9.80
03	8.40	14.00
04	12.60	18.20
05	16.80	22.40
06	21.00	26.60



Tel:+86 769 82581808
 E-Mail:sales@winpin.net

FAX:+86 769 81766192
 Http:www.winpin.net

NOTES:
 Current Rating:7AMP
 Withstand Voltage:1500V AC/DC
 Contact Resistance:20mΩ Max
 Insulation Resistance:1000MΩ Min
 Operation Temperature:-25°C~+85°C

MATERIAL:
 Contact Material:Brass
 Contact Plating:Au or An over Ni
 Housing Material:PA66(UL94V-0)

UNLESS OTHERWISE SPECIFIED DIMENSIONS ARE IN METRIC
 TOLERANCES ARE:
 DECIMALS Angle
 X.X:±0.40 ± 3°
 X.XX:±0.25
 X.XXX:±0.15

PART NO: W42002-1XXRXXX2

TITLE: 4.20 Wafer Single ROW 90°DIP With Post

SCALE	1:1
UNIT	MM
PROJ.	
SHEET	

A0	2015/06/25	NEW	Hua.ZT		Hua.ZT
REV	DATE	MODIFICATION DESCRIPTIO	DRAW	CHANGE	APPROVE



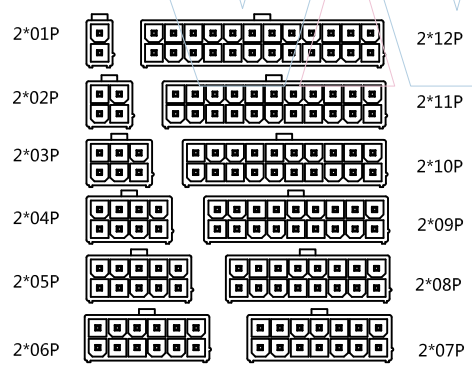
PART NUMBER CODING
W42002-2 XX R XX X X 1

No. of pins
01-12P

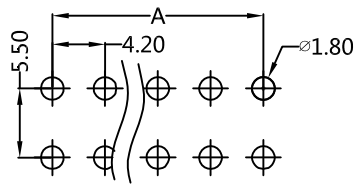
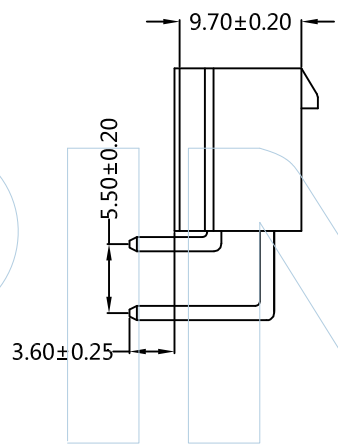
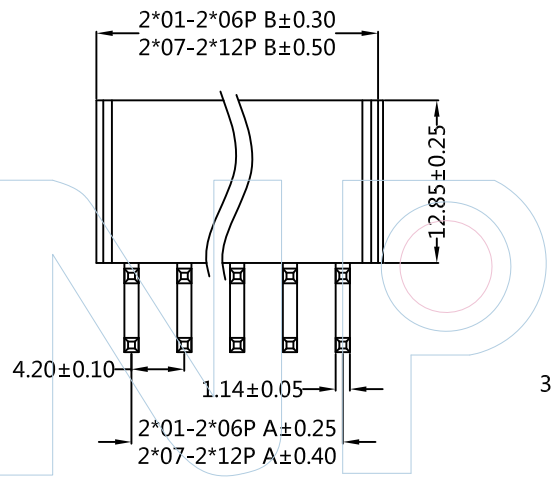
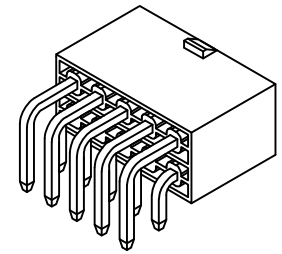
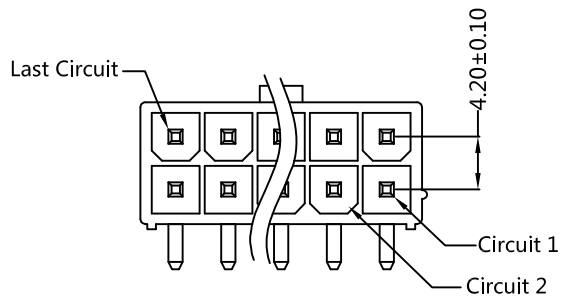
Contact plating
 G0:Gold Flash
 G1:3U"Gold
 G2:5U"Gold
 G3:10U"Gold
 G4:15U"Gold
 G5:20U"Gold
 G6:30U"Gold
 S0:Gold Flash/Tin
 S1:3U"Gold/Tin
 S2:5U"Gold/Tin
 S3:10U"Gold/Tin
 S4:15U"Gold/Tin
 S6:30U"Gold/Tin
 SN:Tin

Color
 W=White
 B=Black

Packing
 A=Tray
 B=PE Bag



CIRCUIT SIZE LAYOUT



Recommended P.C.B Layout (Top Side)
 (PCB BOARD TOLERANCE±0.05)

Pins	Dimensions	
	A	B
2x01	--	5.60
2x02	4.20	9.80
2x03	8.40	14.00
2x04	12.60	18.20
2x05	16.80	22.40
2x06	21.00	26.60
2x07	25.20	30.80
2x08	29.40	35.00
2x09	33.60	39.20
2x10	37.80	43.40
2x11	42.00	47.60
2x12	46.20	51.80



Tel: +86 769 82581808 FAX: +86 769 81766192
 E-Mail: sales@winpin.net Http: www.winpin.net

PART NO: W42002-2XXRXXXX1

TITLE: 4.20 Wafer Dual ROW 90° DIP

NOTES:
 Current Rating: 7AMP
 Voltage Rating: 600V AC/DC
 Withstand Voltage: 1500V AC/Minute
 Contact Resistance: 20mΩ Max
 Insulation Resistance: 1000MΩ Min
 Operation Temperature: -25°C ~ +85°C
 Applicable Housing: H42002 Series
 Applicable Terminal: T42002 Series

MATERIAL:
 Contact Material: Brass
 Contact Plating: Au or Sn over Ni
 Insulator Material: PA66(UL94V-2)

UNLESS OTHERWISE SPECIFIED DIMENSIONS ARE IN METRIC TOLERANCES ARE:
 DECIMALS Angle
 X.X: ±0.40 ± 3°
 X.XX: ±0.25
 X.XXX: ±0.15

SCALE	1:1
UNIT	MM
PROJ.	
SHEET	

A0	2015/06/25	NEW	Hua.ZT		Hua.ZT
REV	DATE	MODIFICATION DESCRIPTION	DRAW	CHANGE	APPROVE



PART NUMBER CODING

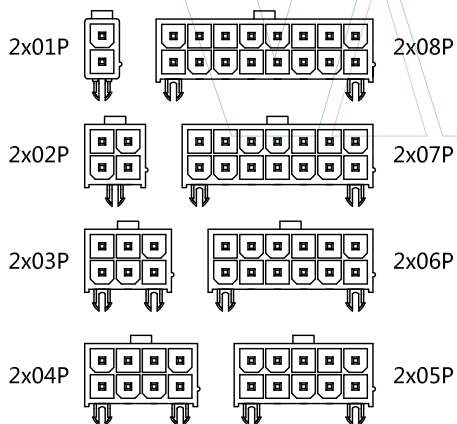
W42002-2 XX R XX X X 2

No. of pins
Row: 01-08P

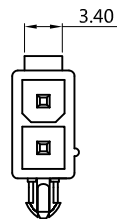
Contact plating
G0: Gold Flash
G1: 3U*Gold
G2: 5U*Gold
G3: 10U*Gold
G4: 15U*Gold
G5: 20U*Gold
G6: 30U*Gold
S0: Gold Flash/Tin
S1: 3U*Gold/Tin
S2: 5U*Gold/Tin
S3: 10U*Gold/Tin
S4: 15U*Gold/Tin
S6: 30U*Gold/Tin
SN: Tin

Color
W=White
B=Black

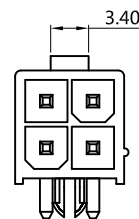
Packing
A=Tray
B=PE Bag



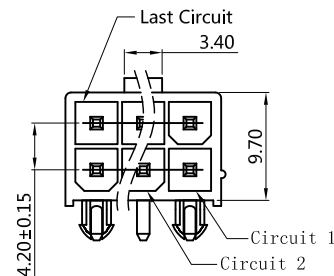
CIRCUIT SIZE LAYOUT



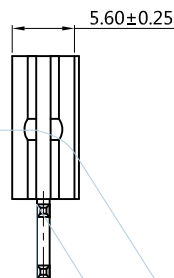
2x01P



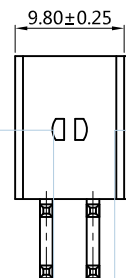
2x02P



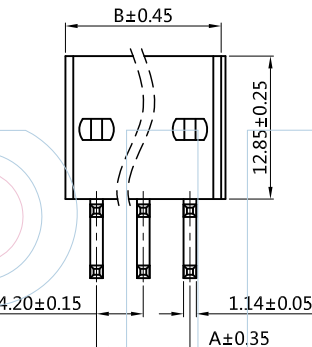
2x03-2x08P



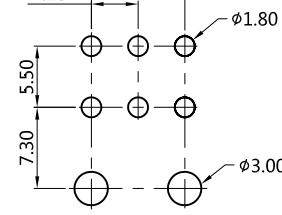
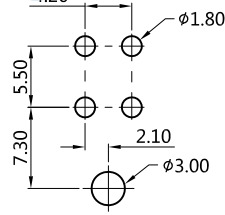
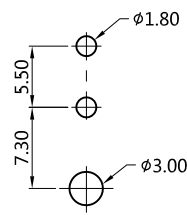
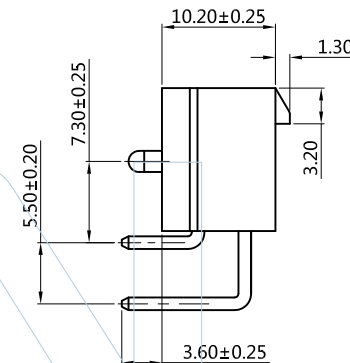
2x01P



2x02P



2x03-2x12P



Recommended P.C.B Layout (Top Side)
(PCB BOARD TOLERANCE ±0.05)

Pins	Dimensions	
	A	B
2x01	--	5.60
2x02	4.20	9.80
2x03	8.40	14.00
2x04	12.60	18.20
2x05	16.80	22.40
2x06	21.00	26.60
2x07	25.20	30.80
2x08	29.40	35.00



Tel: +86 769 82581808 FAX: +86 769 81766192
E-Mail: sales@winpin.net Http: www.winpin.net

PART NO: W42002-2XXRXXXX2

TITLE: MX4.2 Wafer Dual Row 90°DIP With Post

NOTES:
Current rating: 7A, AC, DC
Voltage rating: 600V AC, DC
Withstanding Voltage: 1500V AC/minute
Contact Resistance: 20mΩ max
Insulation resistance: 1000MΩ min
Temperature range: -25°C~+85°C
Applicable Housing: H42002 Series
Applicable Terminal: T42002 Series

MATERIAL:
Contact Material: Brass
Contact Plating: Au or Sn over Ni
Insulator Material: PA66, UL94V-2

UNLESS OTHERWISE SPECIFIED DIMENSIONS ARE IN METRIC TOLERANCES ARE:
DECIMALS Angle
X.X: ±0.40 ± 3°
X.XX: ±0.25
X.XXX: ±0.15

SCALE	1:1
UNIT	MM
PROJ.	
SHEET	

A0	2015/06/25	NEW	GF.He	Andy	
REV	DATE	MODIFICATION DESCRIPTION	DRAW	CHANGE	APPROVE