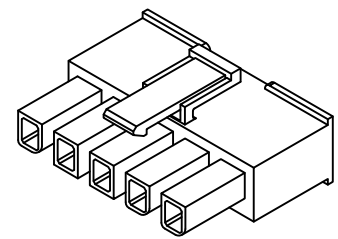
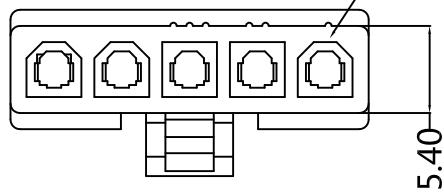


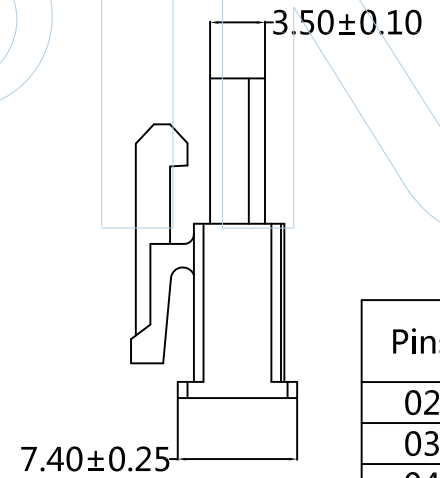
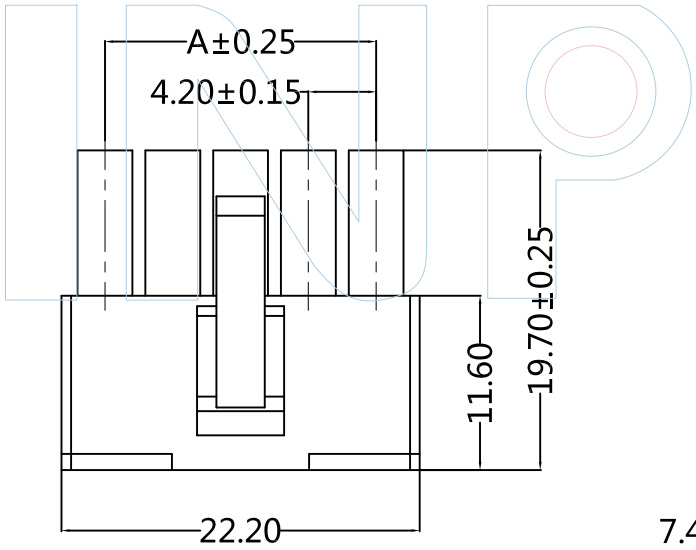
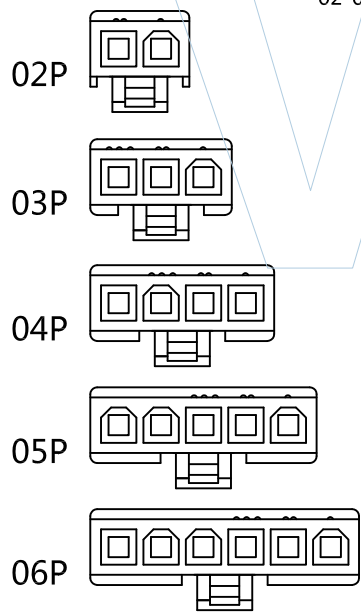
Circuit 1



PART NUMBER CODING
H42002-1 XX X 1

No. of pins
02-06P

Color
W=White
B=Black



Pins	Dimensions	
	A	B
02	4.20	9.60
03	8.40	13.80
04	12.60	18.00
05	16.80	22.20
06	21.00	26.40



Tel: +86 769 82581808 FAX: +86 769 81766192
 E-Mail: sales@winpin.net Http: www.winpin.net

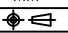
PART NO: H42002-1XXX1

TITLE: 4.2 Housing Single ROW

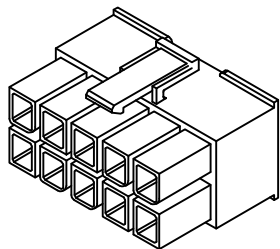
NOTES:
 Current Rating: 7.0AMP
 Voltage Rating: 600V AC/DC
 Withstand Voltage: 1500V AC/minute
 Contact Resistance: 20mΩ Max
 Insulation Resistance: 1000MΩ Min
 Operation Temperature: -25°C to +85°C
 Applicable Wire: AWG#20-#24
 Applicable Terminal: T42002-XXX1

Material:
 Housing Material: PA66(UL94V-2)

UNLESS OTHERWISE SPECIFIED DIMENSIONS ARE IN METRIC
 TOLERANCES ARE:
 DECIMALS Angle
 X.X: ±0.40 ± 3°
 X.XX: ±0.25
 X.XXX: ±0.15

SCALE	1:1
UNIT	MM
PROJ.	
SHEET	

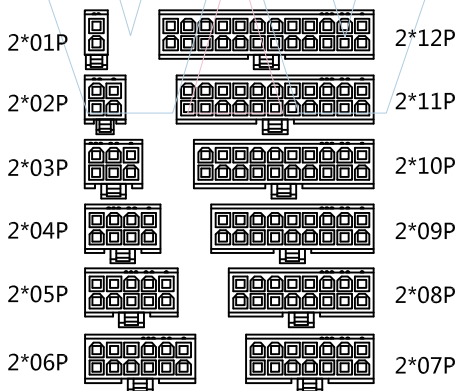
A0	2019/06/25	NEW	Myron.Yuan		Myron.Yuan
REV	DATE	MODIFICATION DESCRIPTION	DRAW	CHANGE	APPROVE



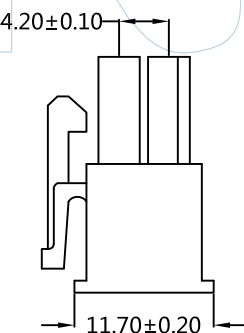
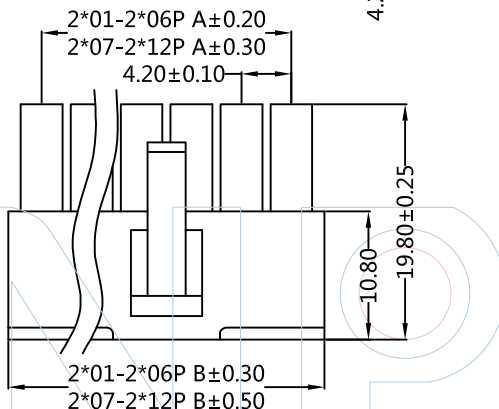
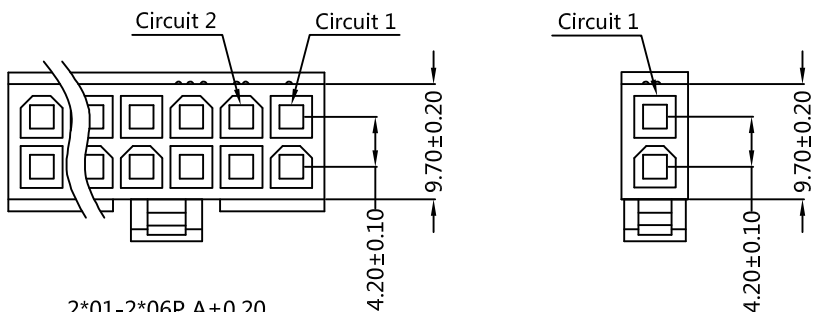
PART NUMBER CODING

H42002-2 XX X 1

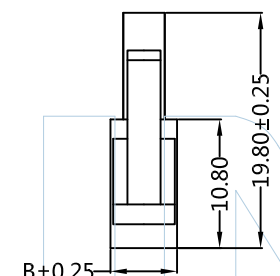
No. of pins
01-12P
Color
W=White
B=Black



CIRCUIT SIZE LAYOUT



2x02P~2x12P



2x01P

Pins	Dimensions	
	A	B
2*01	--	5.60
2*02	4.20	9.80
2*03	8.40	14.00
2*04	12.60	18.20
2*05	16.80	22.40
2*06	21.00	26.60
2*07	25.20	30.80
2*08	29.40	35.00
2*09	33.60	39.20
2*10	37.80	43.40
2*11	42.00	47.60
2*12	46.20	51.80



Tel: +86 769 82581808 FAX: +86 769 81766192
E-Mail: sales@winpin.net Http: www.winpin.net

PART NO: H42002-2XXX1

TITLE: 4.20mm Housing Dual Row

NOTES:
Current Rating: 7AMP
Voltage Rating: 600V AC/DC
Withstand Voltage: 1500V AC/minute
Contact Resistance: 20mΩ Max
Insulation Resistance: 1000MΩ Min
Operation Temperature: -25°C to +85°C
Applicable Terminal: T42002 Series
Applicable Wafer: W42002 Series

MATERIAL:
Insulation Material: PA66 ,UL94V-2

UNLESS OTHERWISE SPECIFIED DIMENSIONS ARE IN METRIC TOLERANCES ARE:
DECIMALS Angle
X.X: ±0.40 ± 3°
X.XX: ±0.25
X.XXX: ±0.15

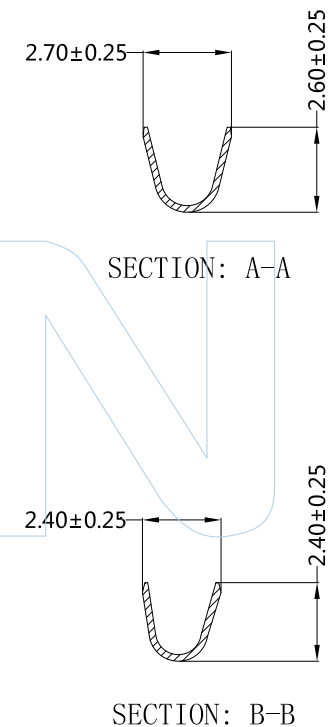
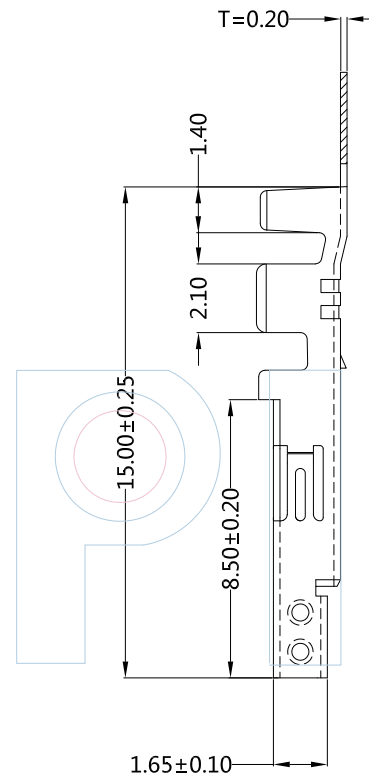
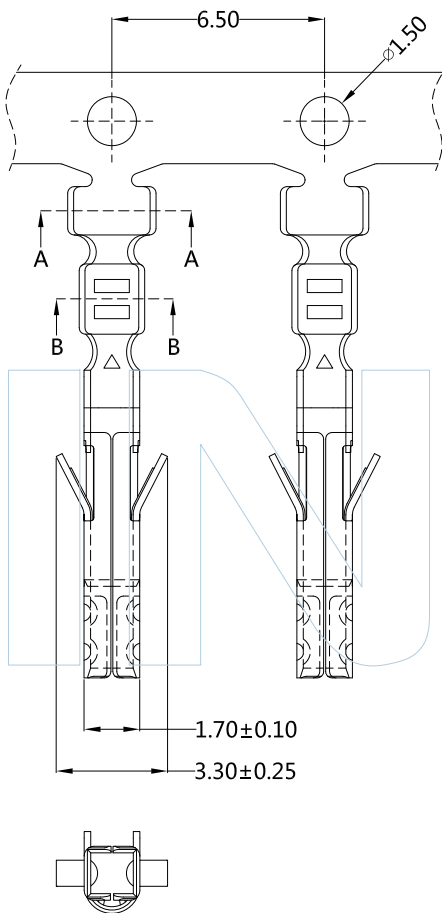
SCALE	1:1
UNIT	MM
PROJ.	
SHEET	

A0	2015/06/25	NEW	Hua.ZT		Hua.ZT
REV	DATE	MODIFICATION DESCRIPTIO	DRAW	CHANGE	APPROVE

PART NUMBER CODING
T42002-X XX 1

Material
 B=Brass
 P=Phosphor bronze

Contact plating
 G0:Gold Flash
 G1:3U"Gold
 G2:5U"Gold
 G3:10U"Gold
 G4:15U"Gold
 G5:20U"Gold
 G6:30U"Gold
 S0:Gold Flash/Tin
 S1:3U"Gold/Tin
 S2:5U"Gold/Tin
 S3:10U"Gold/Tin
 S4:15U"Gold/Tin
 S6:30U"Gold/Tin
 SN:Tin



Tel:+86 769 82581808 FAX:+86 769 81766192
 E-Mail:sales@winpin.net Http:www.winpin.net

PART NO: T42002-XXX1

TITLE: 4.20mm Terminal Female

NOTES:
 Current Rating:7.0AMP
 Voltage Rating:600V AC/DC
 Withstand Voltage:1500V AC/minute
 Contact Resistance:20mΩ Max
 Insulation Resistance:1000MΩ Min
 Operation Temperature:-25°C to +85°C
 Applicable Wire: AWG#20-#24
 Applicable Housing:H42002-XXXX1

Material:
 Current Material:Brass or Phosphor Bronze
 Contact Plating: Sn over Ni

UNLESS OTHERWISE SPECIFIED DIMENSIONS ARE IN METRIC
 TOLERANCES ARE:
 DECIMALS Angle
 X.X:±0.40 ± 3°
 X.XX:±0.25
 X.XXX:±0.15

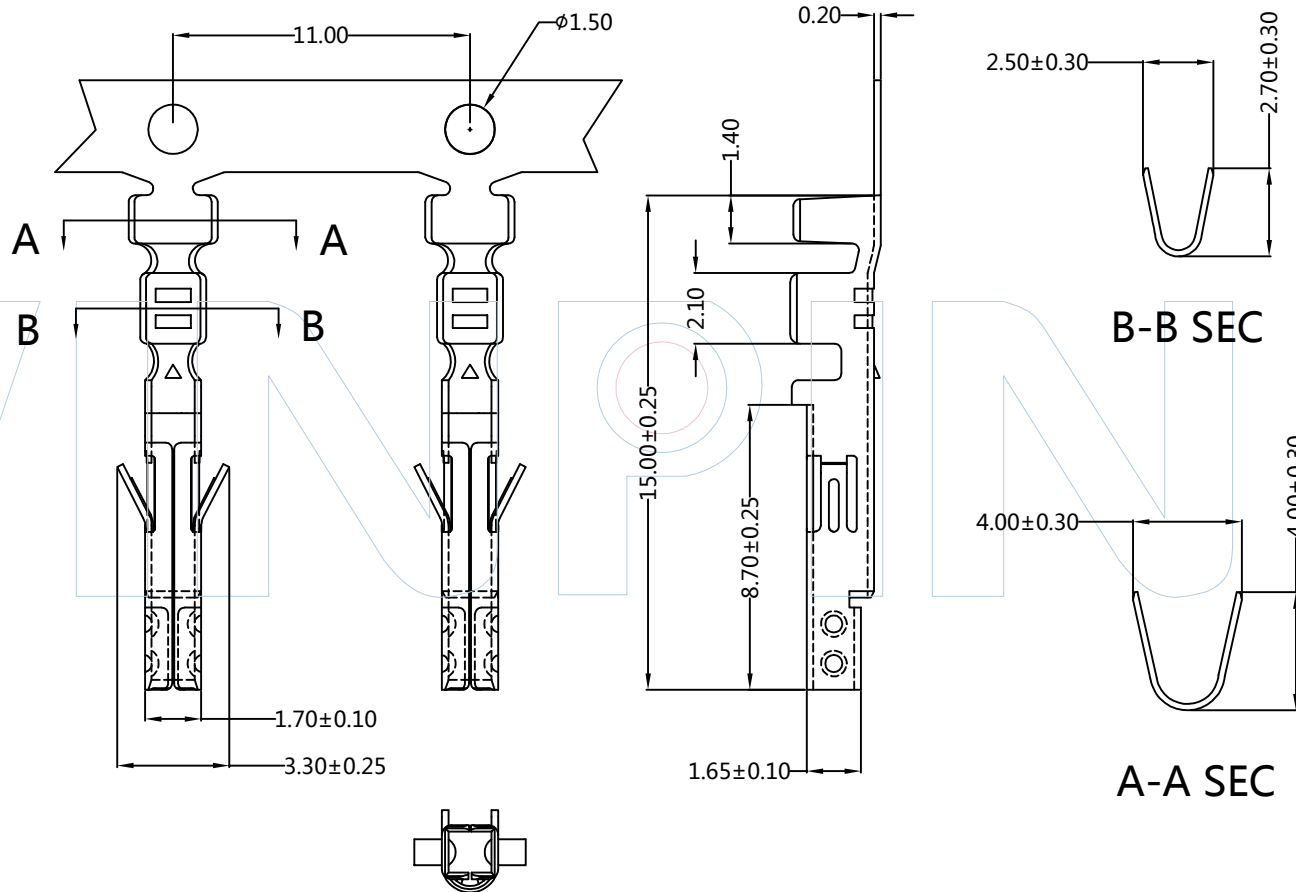
SCALE	1:1
UNIT	MM
PROJ.	
SHEET	

A0	2015/06/25	NEW	Hua.ZT		Hua.ZT
REV	DATE	MODIFICATION DESCRIPTIO	DRAW	CHANGE	APPROVE

PART NUMBER CODING
T42002-X XX 2

Material
 B=Brass
 P=Phosphor bronze

Contact plating
 G0:Gold Flash
 G1:3U"Gold
 G2:5U"Gold
 G3:10U"Gold
 G4:15U"Gold
 G5:20U"Gold
 G6:30U"Gold
 S0:Gold Flash/Tin
 S1:3U"Gold/Tin
 S2:5U"Gold/Tin
 S3:10U"Gold/Tin
 S4:15U"Gold/Tin
 S6:30U"Gold/Tin
 SN:Tin



Tel:+86 769 82581808 FAX:+86 769 81766192
 E-Mail:sales@winpin.net Http:www.winpin.net

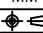
PART NO: T42002-XXX2

TITLE: 4.20mm Female Terminal

NOTES:
 Current Rating:7A AC/DC
 Withstand Voltage:1500V AC/DC
 Contact Resistance:20mΩ Max
 Insulation Resistance:1000MΩ Min
 Operation Temperature:-25°C to +85°C
 Applicable Wire :AWG#18-22
 Applicable Terminal:T42002 Series
 Applicable Housing:H42002 Series

MATERIAL:
 Contact:Phosphor Bronze or Brass
 Contact Plating:Au or Sn over Ni

UNLESS OTHERWISE SPECIFIED DIMENSIONS ARE IN METRIC TOLERANCES ARE:
 DECIMALS Angle
 X.X:±0.40 ± 3°
 X.XX:±0.25
 X.XXX:±0.15

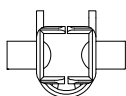
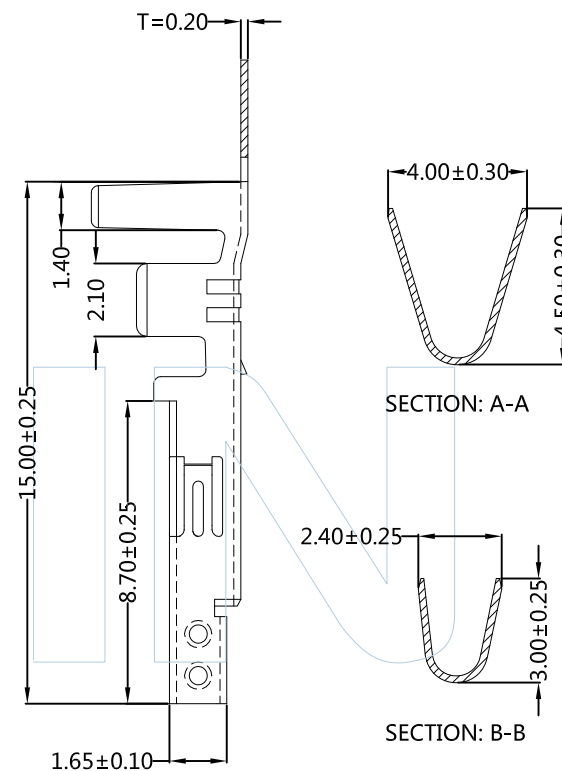
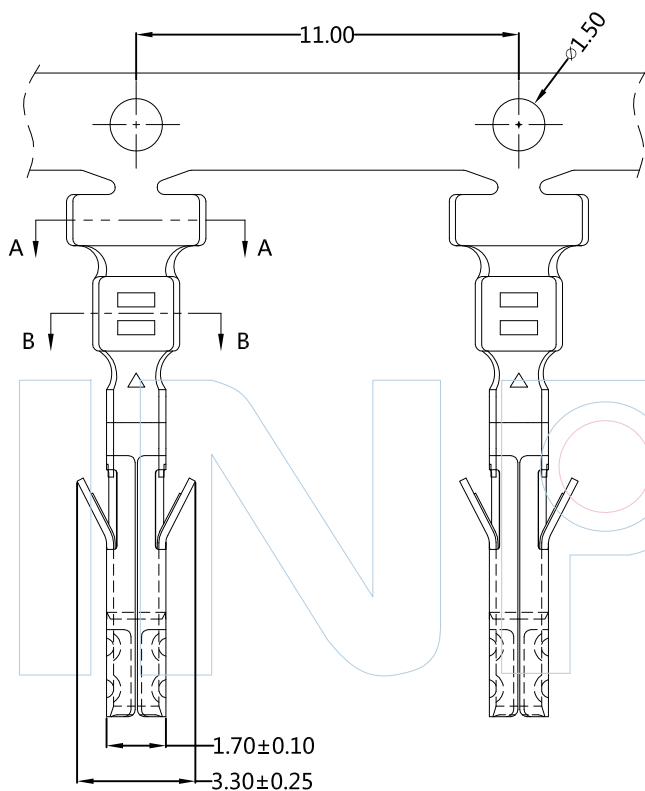
SCALE 1:1
 UNIT MM
 PROJ. 
 SHEET

A0	2015/06/25	NEW	Hua.ZT		Hua.ZT
REV	DATE	MODIFICATION DESCRIPTIO	DRAW	CHANGE	APPROVE

PART NUMBER CODING
T42002-X XX 3

Material
 B=Brass
 P=Phosphor bronze

Contact plating
 G0:Gold Flash
 G1:3U"Gold
 G2:5U"Gold
 G3:10U"Gold
 G4:15U"Gold
 G5:20U"Gold
 G6:30U"Gold
 S0:Gold Flash/Tin
 S1:3U"Gold/Tin
 S2:5U"Gold/Tin
 S3:10U"Gold/Tin
 S4:15U"Gold/Tin
 S6:30U"Gold/Tin
 SN:Tin



Tel:+86 769 82581808 FAX:+86 769 81766192
 E-Mail:sales@winpin.net Http:www.winpin.net

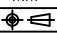
PART NO: T42002-XXX3

TITLE: 4.20mm Female Terminal

NOTES:
 Current Rating:7A AC/DC
 VoltageRating: 600V AC/DC
 Withstand Voltage:1500V AC/Minute
 Contact Resistance:20mΩ Max
 Insulation Resistance:1000MΩ Min
 Operation Temperature:-25°C~+85°C
 Applicable Wire :AWG#16-#18
 Applicable Housing:H42002 Series
 Applicable Wafer:W42002 Series

MATERIAL:
 Contact :Phosphor Bronze or Brass
 Contact Plating:Au or Sn over Ni

UNLESS OTHERWISE SPECIFIED DIMENSIONS ARE IN METRIC TOLERANCES ARE:
 DECIMALS Angle
 X.X:±0.40 ± 3°
 X.XX:±0.25
 X.XXX:±0.15

SCALE	1:1
UNIT	MM
PROJ.	
SHEET	

A0	2019/06/25	NEW	Jason.Huang		Jason.Huang
REV	DATE	MODIFICATION DESCRIPTIO	DRAW	CHANGE	APPROVE



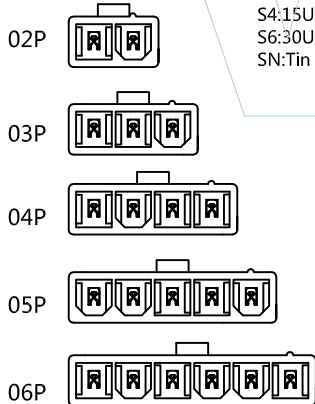
PART NUMBER CODING
W42001-1 XX S XX X X 1

No. of pins
02-06P

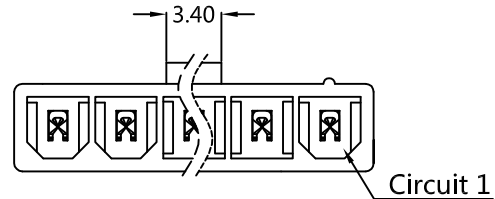
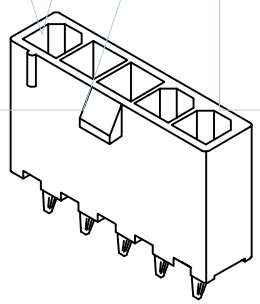
Contact plating
G0:Gold Flash
G1:3U"Gold
G2:5U"Gold
G3:10U"Gold
G4:15U"Gold
G5:20U"Gold
G6:30U"Gold
S0:Gold Flash/Tin
S1:3U"Gold/Tin
S2:5U"Gold/Tin
S3:10U"Gold/Tin
S4:15U"Gold/Tin
S6:30U"Gold/Tin
SN:Tin

Color
W=White
B=Black

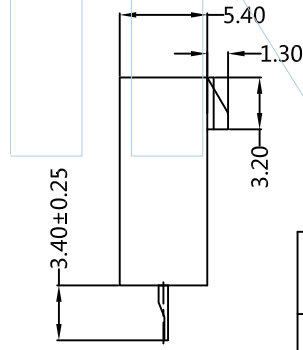
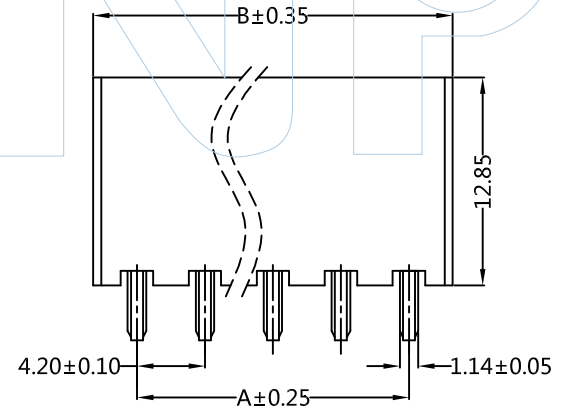
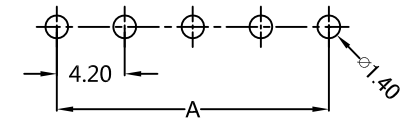
Packing
B=PE Bag



CIRCUIT SIZE LAYOUT



Recommended P.C.B Layout(Top Side)
(PCB BOARD TOLERANCE±0.05)



Pins	Dimensions	
	A	B
02	4.20	9.60
03	8.40	13.80
04	12.60	18.00
05	16.80	22.20
06	21.00	26.40



Tel:+86 769 82581808 FAX:+86 769 81766192
E-Mail:sales@winpin.net Http:www.winpin.net

PART NO: W42001-1XXSXXX1

TITLE: 4.2mm 180° Wafer

NOTES:
Current Rating:7.0AMP
Voltage Rating:600V AC/DC
Withstand Voltage:1500V AC/minute
Contact Resistance:20mΩ Max
Insulation Resistance:1000MΩ Min
Operation Temperature:-25°C to +85°C
Applicable Housing:H42001-1XXX1
Applicable Terminal:T42001-BXX1

Material:
Contact Material:Brass
Contact Plating:Au or An over Ni
Insulation Material:PA66 (UL94V-2)

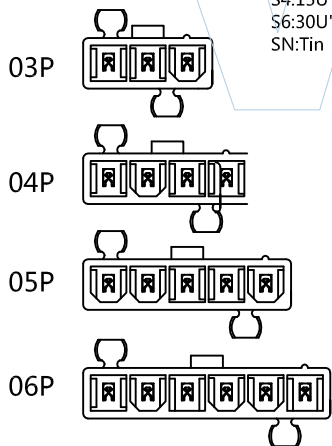
UNLESS OTHERWISE SPECIFIED DIMENSIONS ARE IN METRIC
TOLERANCES ARE:
DECIMALS Angle
X.X:±0.40 ± 3°
X.XX:±0.25
X.XXX:±0.15
SCALE 1:1
UNIT MM
PROJ.
SHEET

A0	2019/06/25	NEW	Myron.Yuan		Myron.Yuan
REV	DATE	MODIFICATION DESCRIPTIO	DRAW	CHANGE	APPROVE

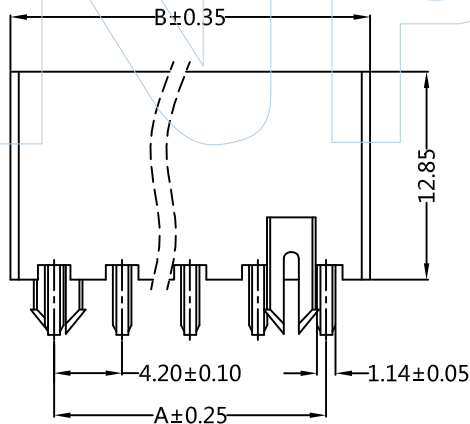
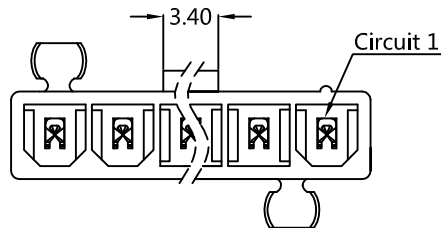


PART NUMBER CODING
W42001-1 XX S XX X X 2

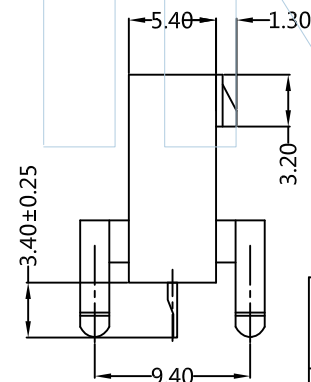
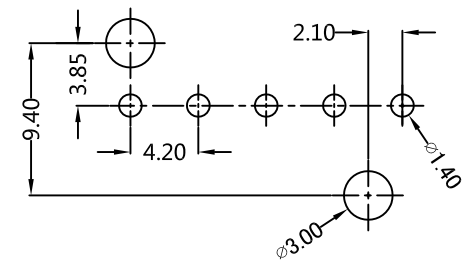
No. of pins: 03-06P
 Contact plating: G0:Gold Flash, G1:3U*Gold, G2:5U*Gold, G3:10U*Gold, G4:15U*Gold, G5:20U*Gold, G6:30U*Gold, S0:Gold Flash/Tin, S1:3U*Gold/Tin, S2:5U*Gold/Tin, S3:10U*Gold/Tin, S4:15U*Gold/Tin, S6:30U*Gold/Tin, SN:Tin
 Color: W=White, B=Black
 Packing: B=PE Bag



CIRCUIT SIZE LAYOUT



Recommended P.C.B Layout(Top Side)
 (PCB BOARD TOLERANCE±0.05)



Pins	Dimensions	
	A	B
03	8.40	13.80
04	12.60	18.00
05	16.80	22.20
06	21.00	26.40



Tel: +86 769 82581808 FAX: +86 769 81766192
 E-Mail: sales@winpin.net Http: www.winpin.net

PART NO: W42001-1XXSXXXX2

TITLE: 4.2MM 180°空芯带柱 Wafer Connector Series

NOTES:
 Current rating: 7.0AMP
 Voltage rating: 600V AC,DC
 Withstanding Voltage: 1500V AC/minute
 Contact Resistance: 20mΩ Max
 Insulation Resistance: 1000MΩ Min
 Temperature range: -25° C~+85° C
 Applicable Terminal: T42001-XXX2
 Applicable Housing: H42001-1XXX2/4

MATERIAL:
 Contact Material: Brass
 Contact Plating: Au or Sn over Ni
 Insulator Material: PA66 (UL94V-2)

UNLESS OTHERWISE SPECIFIED DIMENSIONS ARE IN METRIC
 TOLERANCES ARE:
 DECIMALS Angle
 X.X: ±0.40 ± 3°
 X.XX: ±0.25
 X.XXX: ±0.15

SCALE: 1:1
 UNIT: MM
 PROJ.
 SHEET

A0	2019/06/25	NEW	Myron.Yuan	Myron.Yuan
REV	DATE	MODIFICATION DESCRIPTION	DRAW	CHANGE APPROVE