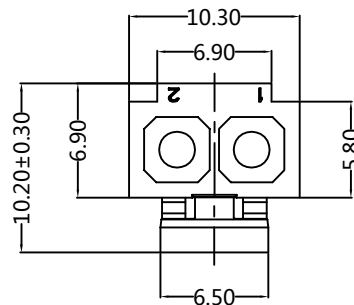
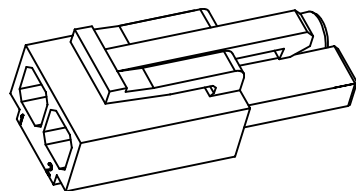


HSF  **RoHS**

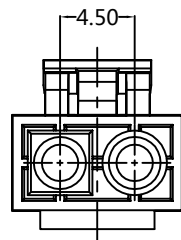
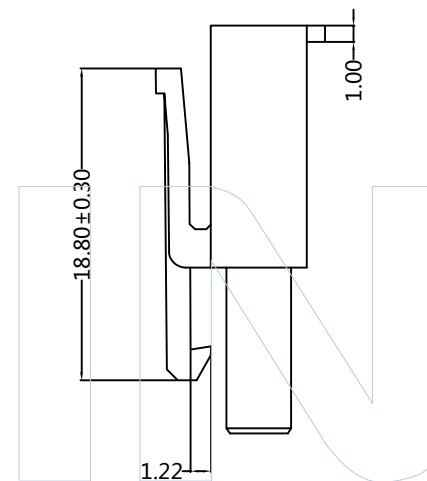
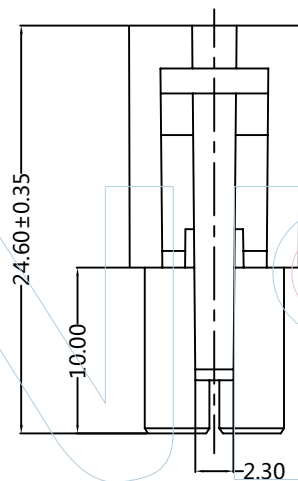


PART NUMBER CODING

H45001-1 02 X 1

No. of pins
02P

Color
B=Black
E=Beige
W=White



WINPIN

Tel: +86 769 82581808
E-Mail: sales@winpin.net

FAX: +86 769 81766192
Http: www.winpin.net

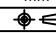
PART NO: H45001-102X1

TITLE: 4.50mm Housing

NOTES:
Current Rating: 2.0AMP
Rated Voltage: 250V AC/DC
Withstand Voltage: 1000V AC/DC
Contact Resistance: 20mΩ Max
Insulation Resistance: 1000MΩ Min
Operation Temperature: -25°C to +85°C
Applicable Terminal: T45001-XXXX

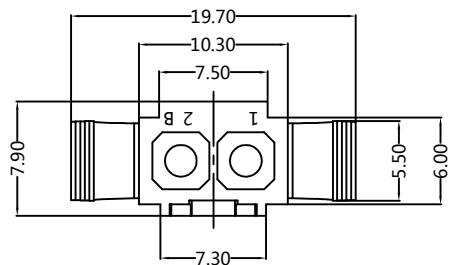
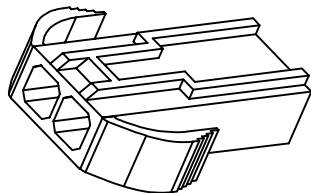
MATERIAL:
Insulator Material: PA66(UL94V-0)

UNLESS OTHERWISE SPECIFIED DIMENSIONS ARE IN METRIC
TOLERANCES ARE:
DECIMALS Angle
X.X: ±0.40 ± 3°
X.XX: ±0.25
X.XXX: ±0.15

SCALE 1:1
UNIT MM
PROJ. 
SHEET

A0	2022/03/17	NEW	GF.He	Andy	Bobby	
REV	DATE	MODIFICATION DESCRIPTION	DRAW	CHANGE	APPROVE	

HSF  RoHS

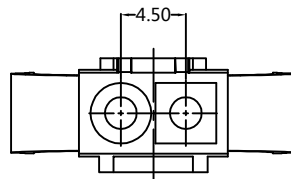
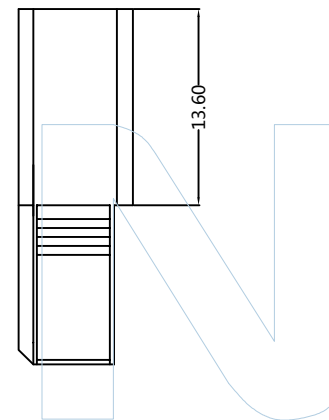
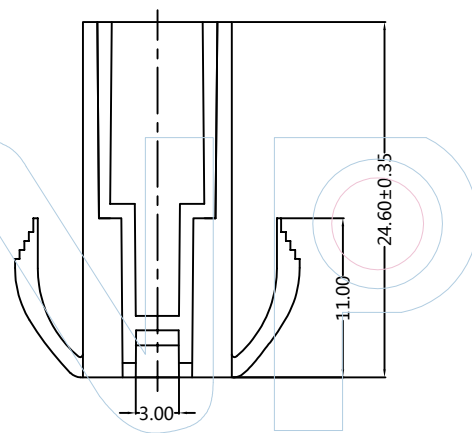


PART NUMBER CODING

H45001-1 02 X 2

No. of pins
02P

Color
B=Black
E=Beige
W=White



WINPIN

Tel: +86 769 82581808
E-Mail: sales@winpin.net

FAX: +86 769 81766192
Http: www.winpin.net

PART NO: H45001-102X2

TITLE: 4.50mm Housing


NOTES:

Current Rating: 2.0AMP
Rated Voltage: 250V AC/DC
Withstand Voltage: 1000V AC/DC
Contact Resistance: 20mΩ Max
Insulation Resistance: 1000MΩ Min
Operation Temperature: -25°C to +85°C
Applicable Terminal: T45001-XXX2

MATERIAL:

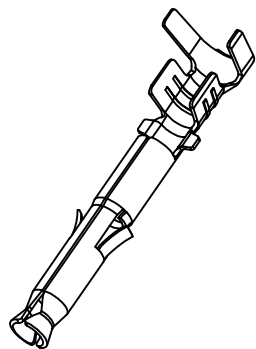
Insulator Material: PA66(UL94V-0)

UNLESS OTHERWISE SPECIFIED DIMENSIONS ARE IN METRIC
TOLERANCES ARE:
DECIMALS Angle
X.X: ±0.40 ± 3°
X.XX: ±0.25
X.XXX: ±0.15

SCALE	1:1
UNIT	MM
PROJ.	
SHEET	

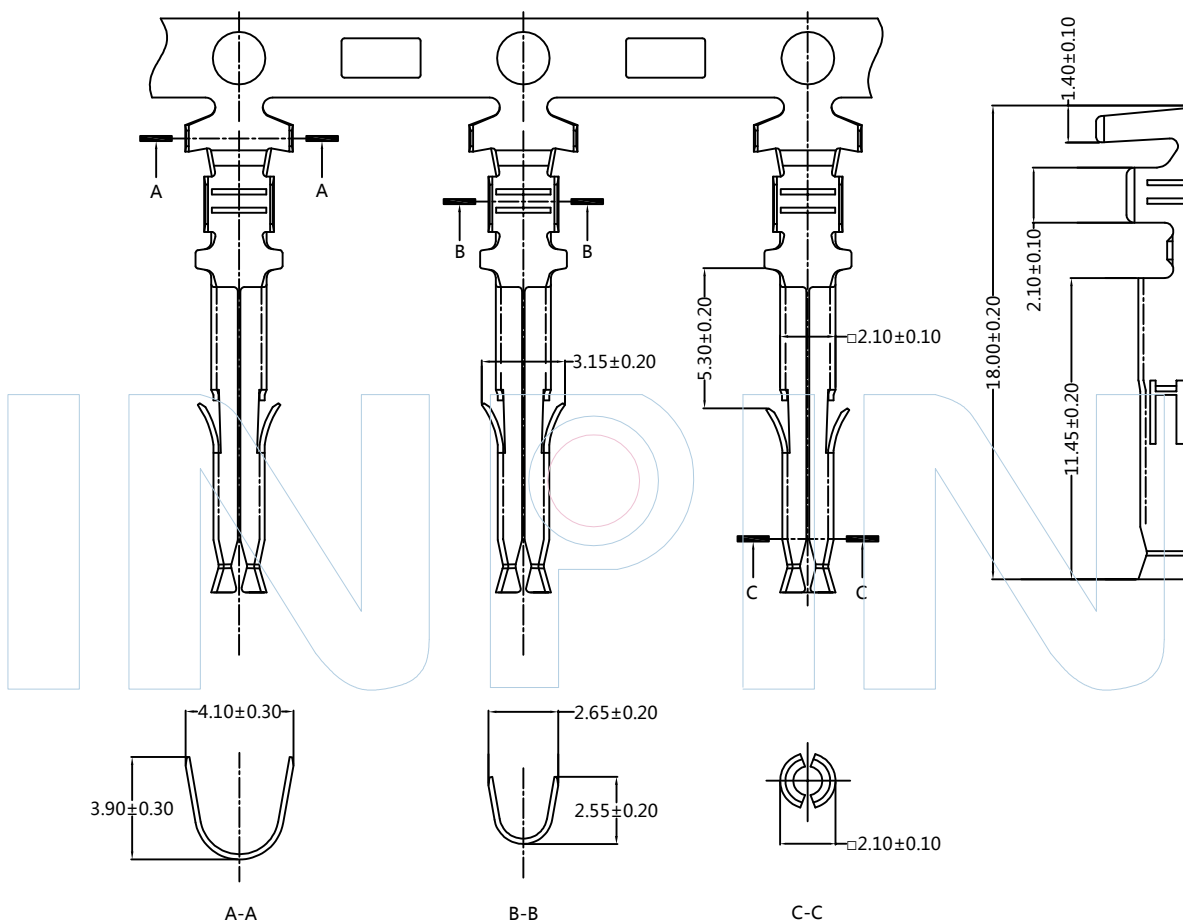
A0	2022/03/17	NEW	GF.He	Andy	Bobby
REV	DATE	MODIFICATION DESCRIPTION	DRAW	CHANGE	APPROVE

HSF  RoHS



PART NUMBER CODING
T45001- P XX 1

Contact plating
 SN: Tin



WINPIN

Tel: +86 769 82581808
 E-Mail: sales@winpin.net

FAX: +86 769 81766192
 Http: www.winpin.net

PART NO: T45001-PXX1

TITLE: 4.50mm Terminal


NOTES:

Current Rating: 2.0AMP
 Rated Voltage: 250V AC/DC
 Withstand Voltage: 1000V AC/DC
 Contact Resistance: 20mΩ Max
 Insulation Resistance: 1000MΩ Min
 Operation Temperature: -25°C to +85°C
 Applicable Wires: AWG28~18#
 Applicable Housing: H45001-XXXX1

MATERIAL:

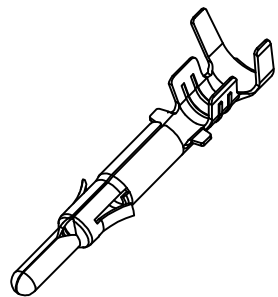
Contact Material: Phosphor Bronze

UNLESS OTHERWISE SPECIFIED DIMENSIONS ARE IN METRIC TOLERANCES ARE:
 DECIMALS Angle
 X.X: ±0.40 ± 3°
 X.XX: ±0.25
 X.XXX: ±0.15

SCALE	1:1
UNIT	MM
PROJ.	
SHEET	

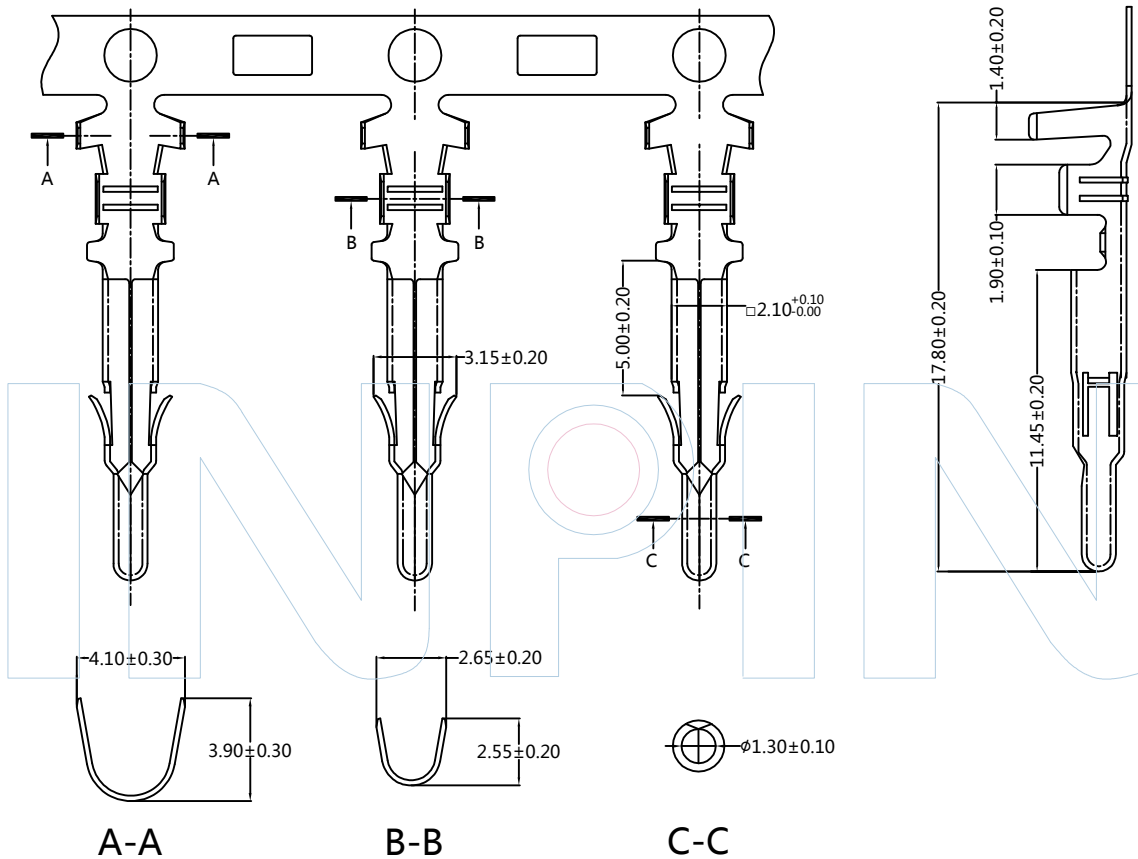
A0	2022/03/17	NEW	GF.He	Andy	Bobby
REV	DATE	MODIFICATION DESCRIPTION	DRAW	CHANGE	APPROVE

HSF  RoHS



PART NUMBER CODING
T45001- P XX 2

Contact plating
SN: Tin



WINPIN

Tel: +86 769 82581808
E-Mail: sales@winpin.net

FAX: +86 769 81766192
Http: www.winpin.net

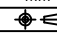
PART NO: T45001-PXX2

TITLE: 4.50mm Terminal

NOTES:
Current Rating: 2.0AMP
Rated Voltage: 250V AC/DC
Withstand Voltage: 1000V AC/DC
Contact Resistance: 20mΩ Max
Insulation Resistance: 1000MΩ Min
Operation Temperature: -25°C to +85°C
Applicable Wires: AWG28~18#
Applicable Housing: H45001-XXXX2

MATERIAL:
Contact Material: Phosphor Bronze

UNLESS OTHERWISE SPECIFIED DIMENSIONS ARE IN METRIC TOLERANCES ARE: DECIMALS Angle X.X: ±0.40 ± 3° X.XX: ±0.25 X.XXX: ±0.15

SCALE: 1:1
UNIT: MM
PROJ. 
SHEET

A0	2022/03/17	NEW	GF.He	Andy	Bobby
REV	DATE	MODIFICATION DESCRIPTION	DRAW	CHANGE	APPROVE