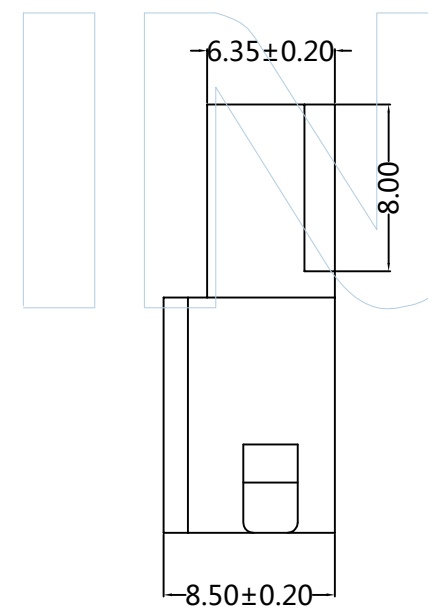
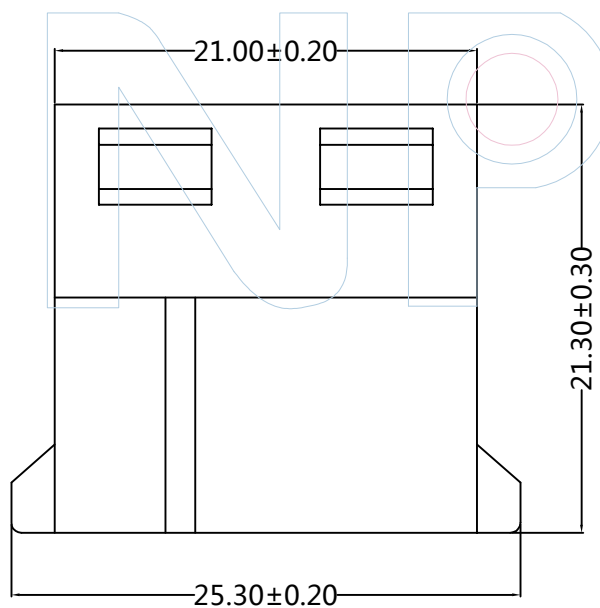
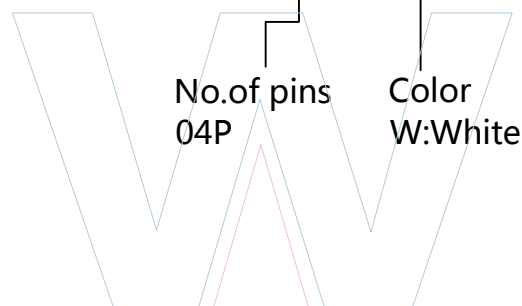


PART NUMBER CODING
H50804-1 04 W 1



Tel: +86 769 82581808 FAX: +86 769 81766192
 E-Mail: sales@winpin.net Http: www.winpin.net

PART NO: H50804-104W1

TITLE: 5.08mm 4P Male Housing

NOTES:
 Current Rating: 5.0AMP
 Voltage Rating: 250V AC/DC
 Withstand Voltage: 1500V AC/DC
 Contact Resistance: 20mΩ Max
 Insulation Resistance: 1000MΩ Min
 Operation Temperature: -25°C ~ +85°C
 Applicable Terminal: T50804-BXX2

MATERIAL:
 Insulator Material: PA66, UL94V-2

UNLESS OTHERWISE SPECIFIED DIMENSIONS ARE IN METRIC
 TOLERANCES ARE:
 DECIMALS Angle
 X.X: ±0.40 ±3°
 X.XX: ±0.25
 X.XXX: ±0.15

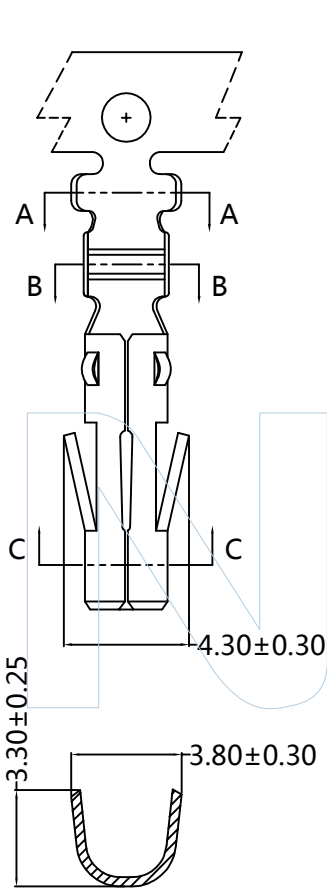
SCALE	1:1
UNIT	MM
PROJ.	
SHEET	

A0	2015/06/25	NEW	GF.He		Andy
REV	DATE	MODIFICATION DESCRIPTION	DRAW	CHANGE	APPROVE

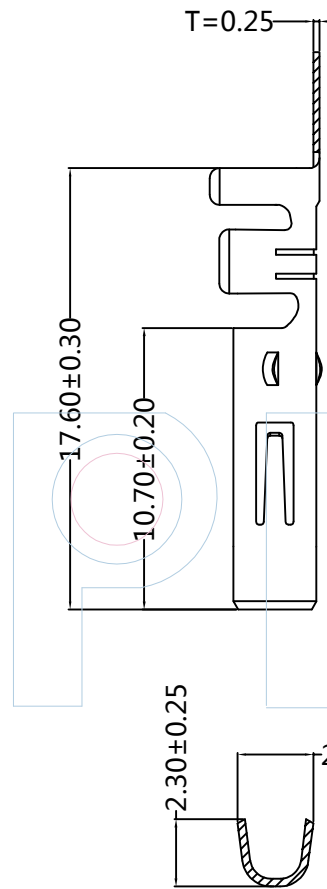


PART NUMBER CODING
T50804-B XX 1

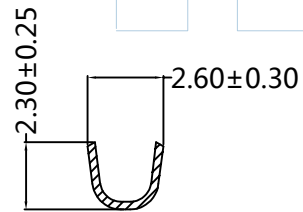
Contact plating
 SN: Tin



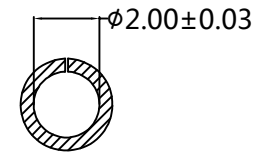
SECTION: A-A



SECTION: B-B



SECTION: C-C



Tel: +86 769 82581808 FAX: +86 769 81766192
 E-Mail: sales@winpin.net Http: www.winpin.net

PART NO: T50804-BXX1

TITLE: 5.08mm Female Terminal

NOTES:
 Current Rating: 5.0AMP
 Voltage rating: 250V AC/DC
 Withstand Voltage: 1500V AC/DC
 Contact Resistance: 20mΩ Max
 Operation Temperature: -25°C ~ +85°C
 Applicable Wire: AWG#18-#22
 Applicable Housing: H50804-104X2

MATERIAL:
 Contact Material: Brass
 Contact Plating: Sn over Ni

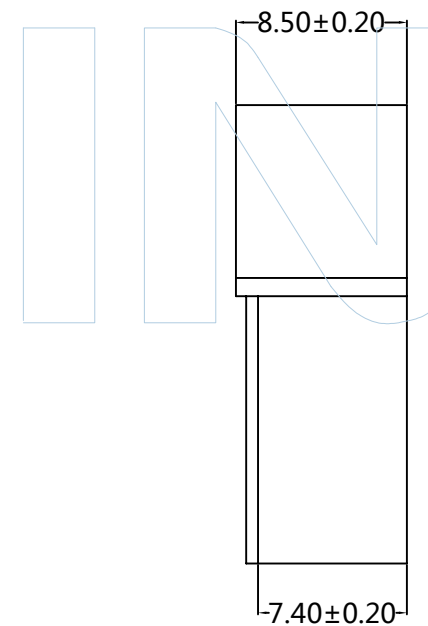
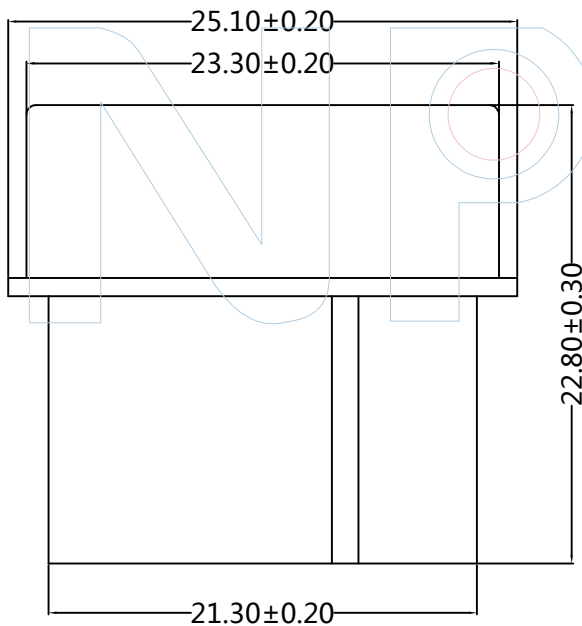
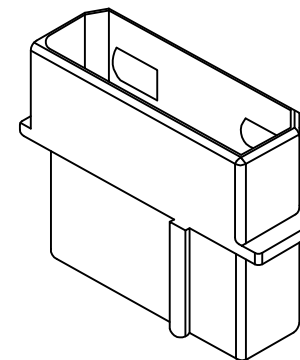
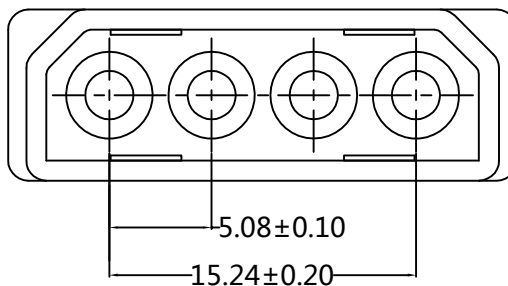
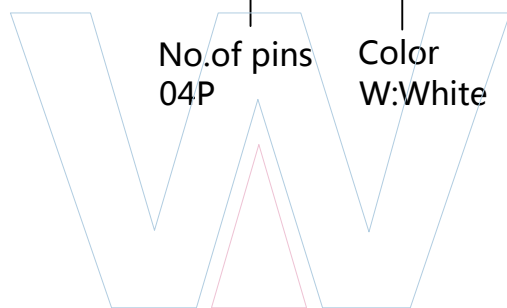
UNLESS OTHERWISE SPECIFIED DIMENSIONS ARE IN METRIC
 TOLERANCES ARE:
 DECIMALS Angle
 X.X: ±0.40 ±3°
 X.XX: ±0.25
 X.XXX: ±0.15

SCALE	1:1
UNIT	MM
PROJ.	
SHEET	

A0	2015/06/25	NEW	GF.He	Andy	
REV	DATE	MODIFICATION DESCRIPTION	DRAW	CHANGE	APPROVE



PART NUMBER CODING
H50804-1 04 W 2



Tel: +86 769 82581808 FAX: +86 769 81766192
 E-Mail: sales@winpin.net Http: www.winpin.net

PART NO: H50804-104W2

TITLE: 5.08mm 4P Female Housing

NOTES:
 Current Rating: 5.0AMP
 Voltage rating: 250V AC/DC
 Withstand Voltage: 1500V AC/DC
 Contact Resistance: 20mΩ Max
 Operation Temperature: -25°C ~ +85°C
 Applicable Terminal: T50804-BXX1

MATERIAL:
 Insulator Material: PA66, UL94V-2

UNLESS OTHERWISE SPECIFIED DIMENSIONS ARE IN METRIC
 TOLERANCES ARE:
 DECIMALS Angle
 X.X: ±0.40 ±3°
 X.XX: ±0.25
 X.XXX: ±0.15

SCALE 1:1
 UNIT MM
 PROJ.
 SHEET

A0	2015/06/25	NEW	GF.He	Andy	
REV	DATE	MODIFICATION DESCRIPTIO	DRAW	CHANGE	APPROVE



PART NUMBER CODING
T50804-B XX 2

Contact plating
 SN: Tin

$\phi 2.25 \pm 0.20$

3.80 ± 0.30

9.00

T=0.25

3.50 ± 0.25

3.30 ± 0.25

SECTION: A-A

2.30 ± 0.25

2.30 ± 0.25

SECTION: B-B

20.70 ± 0.25

3.30 ± 0.15

1.50 ± 0.15

13.90 ± 0.20

2.08 ± 0.04



Tel: +86 769 82581808 FAX: +86 769 81766192
 E-Mail: sales@winpin.net Http: www.winpin.net

PART NO: T50804-BXX2

TITLE: 5.08mm Male Terminal

NOTES:
 Current Rating: 5.0AMP
 Voltage rating: 250V AC/DC
 Withstand Voltage: 1500V AC/DC
 Contact Resistance: 20mΩ Max
 Operation Temperature: -25°C ~ +85°C
 Applicable Wire: AWG#18-#22
 Applicable Housing: H50804-104X1

MATERIAL:
 Contact Material: Brass
 Contact Plating: Sn over Ni

UNLESS OTHERWISE SPECIFIED DIMENSIONS ARE IN METRIC TOLERANCES ARE:
 DECIMALS Angle
 X.X: ±0.40 ±3°
 X.XX: ±0.25
 X.XXX: ±0.15

SCALE	1:1
UNIT	MM
PROJ.	
SHEET	

A0	2015/06/25	NEW	GF.He	Andy	
REV	DATE	MODIFICATION DESCRIPTIO	DRAW	CHANGE	APPROVE



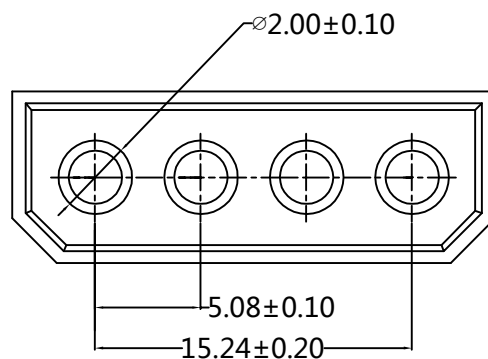
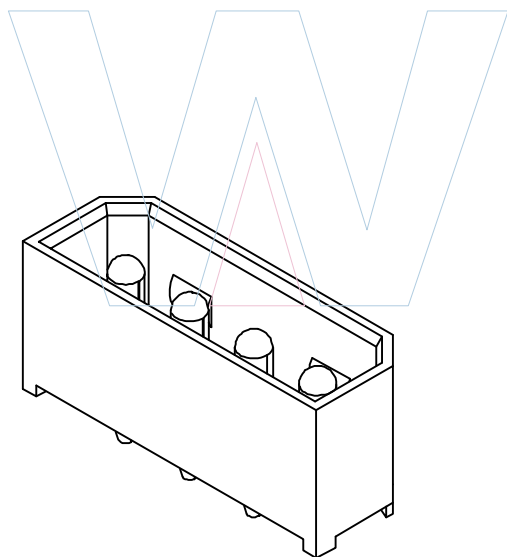
PART NUMBER CODING
W50804-1 04 S SN W B 1

No. of pins
04P

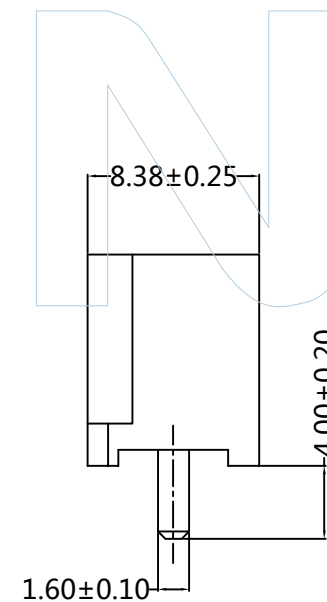
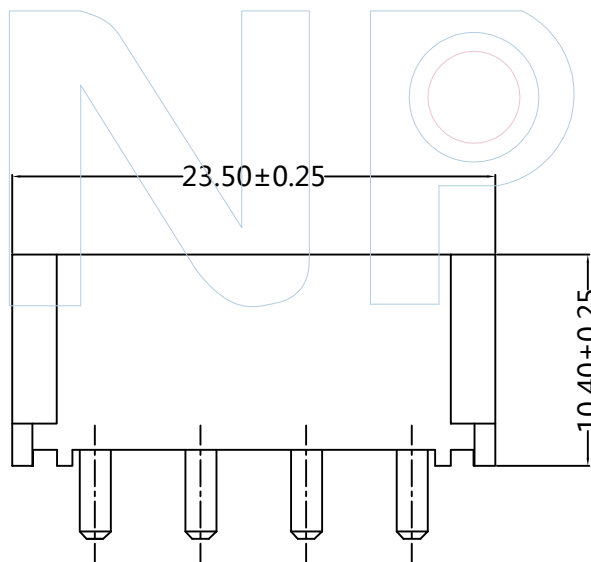
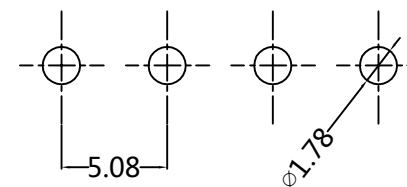
Contact plating
SN: Tin

Color
W: White

Packing
B: PE Bag



Recommended P.C.B Layout(Top Side)
 (PCB BOARD TOLERANCE±0.05)



Tel: +86 769 82581808 FAX: +86 769 81766192
 E-Mail: sales@winpin.net Http: www.winpin.net

PART NO: W50804-104SSNWB1

TITLE: 5.08mm 4P Wafer 180°DIP

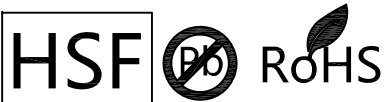
NOTES:
 Current Rating:10A AMP
 Voltage Rating:250V AC/DC
 Withstand Voltage:1500V AC/DC
 Contact Resistance:20mΩ Max
 Insulation Resistance:1000MΩ Min
 Operation Temperature:-25°C ~ +85°C
 Applicable Housing:H50804-1XXX1
 Applicable Terminal:T50804-BXX1

MATERIAL:
 Contact Material:Brass
 Contact Plating:Sn over Ni
 Insulator Material:PA66(UL94V-2)

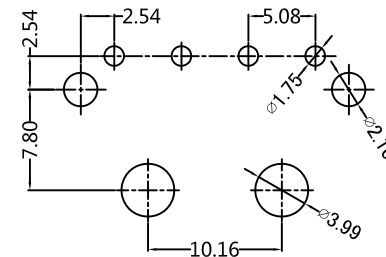
UNLESS OTHERWISE SPECIFIED DIMENSIONS ARE IN METRIC TOLERANCES ARE:
 DECIMALS Angle
 X.X:±0.40 ±3°
 X.XX:±0.25
 X.XXX:±0.15

SCALE 1:1
 UNIT MM
 PROJ.
 SHEET

A0	2015/06/25	NEW	GF.He	Andy	
REV	DATE	MODIFICATION DESCRIPTIO	DRAW	CHANGE	APPROVE

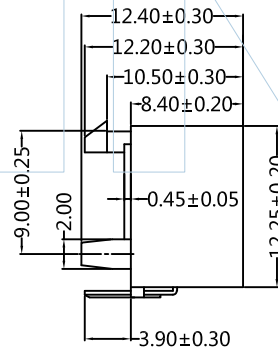
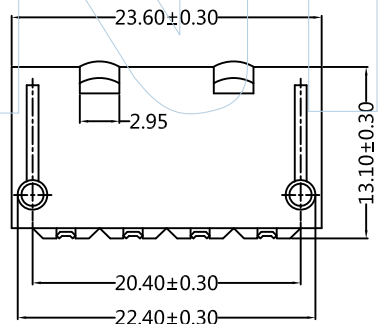
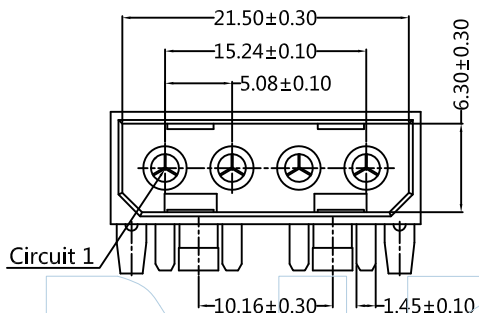


Recommended P.C.B Layout(Top Side)
(PCB BOARD TOLERANCE±0.05)



PART NUMBER CODING
W50804-1 04 R XX X X 1

No. of pins 04P
Contact plating SN: Tin
Color W=White
Packing B=PE Bag
T=Tube



Tel: +86 769 82581808 FAX: +86 769 81766192
E-Mail: sales@winpin.net Http: www.winpin.net

PART NO: W50804-104RXXX1

TITLE: 5.08 Wafer 4P 90°DIP

NOTES:
Current Rating:10A AC/DC
Voltage Rating:250V AC/DC
Withstand Voltage:1500V AC/Minute
Contact Resistance:10mΩ Max
Insulation Resistance:1000MΩ Min
Operation Temperature:-25°C to +85°C

Contact Material:Brass
Contact Plating:Sn over Ni
Insulator Material:PA66(UL94V-2)

UNLESS OTHERWISE SPECIFIED DIMENSIONS ARE IN METRIC TOLERANCES ARE:
DECIMALS Angle
X.X:±0.40 ± 3°
X.XX:±0.25
X.XXX:±0.15

SCALE 1:1
UNIT MM
PROJ.
SHEET

A0	2015/06/25	NEW	GF.He	Andy	
REV	DATE	MODIFICATION DESCRIPTION	DRAW	CHANGE	APPROVE