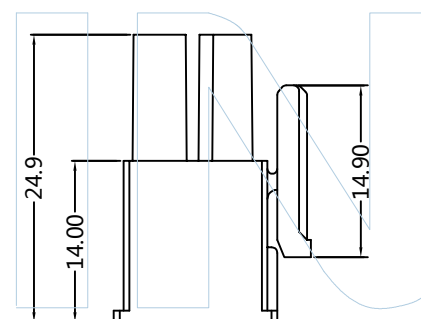
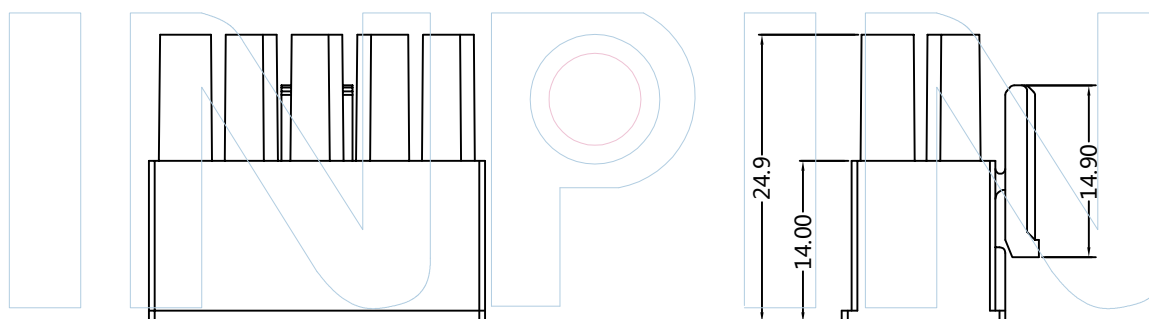
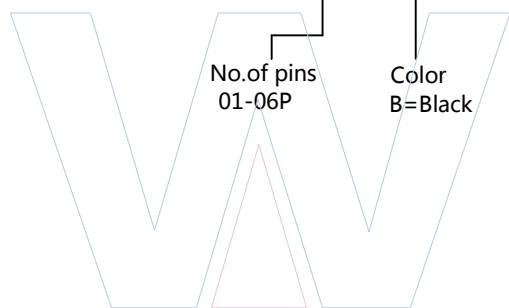
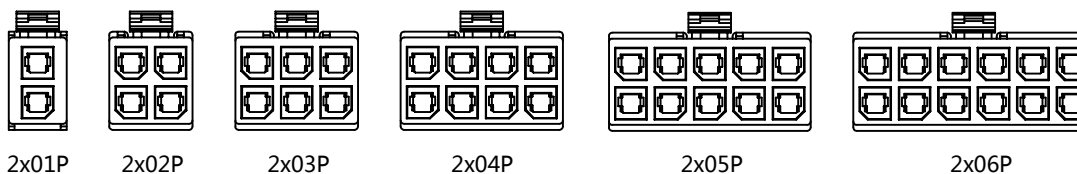


**PART NUMBER CODING**

**H57001-2 XX X 1**



POLES	Dimensions(mm)
	A
2x01	8.35
2x02	12.05
2x03	17.75
2x04	23.45
2x05	29.15
2x06	34.85



Tel: +86 769 82581808 FAX: +86 769 81766192  
 E-Mail: sales@winpin.net Http: www.winpin.net

PART NO: H57001-2XXX1

TITLE: 5.70 Pitch Housing Dual ROW

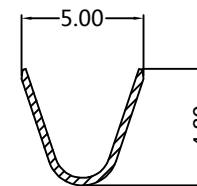
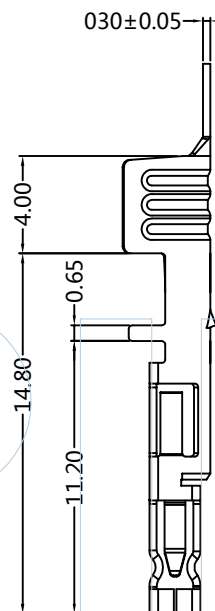
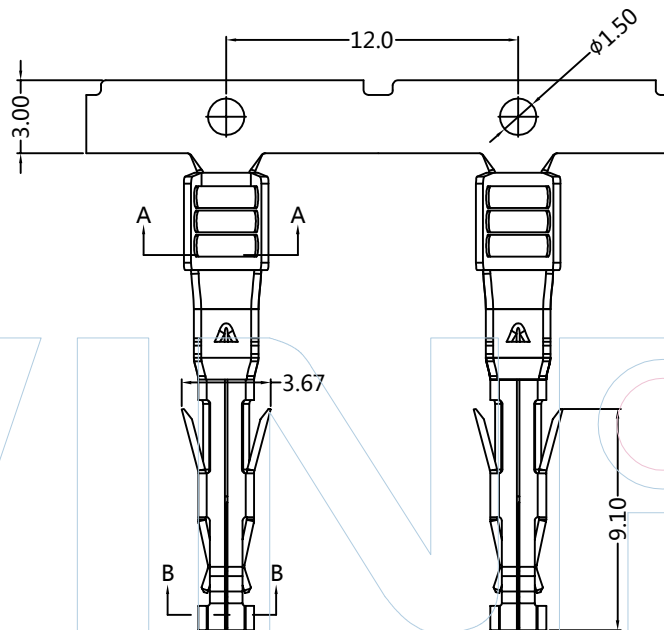
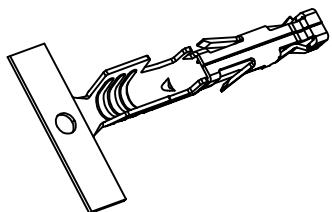
NOTES:  
 Current Rating: 23AMP  
 Withstand Voltage: 2200V AC/Minute  
 Voltage Rating: 600V AC/DC  
 Contact Resistance: 2mΩ Max  
 Insulation Resistance: 1000MΩ  
 Temperature Range: -40°C to +105°C  
 After Environmental Testing: 10mΩ Max  
 Applicable Terminal: T57001-BXX1

Material:  
 Insulator Material: PA66(UL94V-0)

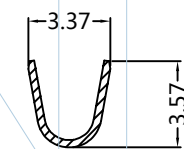
UNLESS OTHERWISE SPECIFIED DIMENSIONS ARE IN METRIC  
 TOLERANCES ARE:  
 DECIMALS Angle  
 X.X: ±0.40 ± 3°  
 X.XX: ±0.25  
 X.XXX: ±0.15

SCALE	1:1
UNIT	MM
PROJ.	
SHEET	

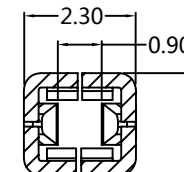
A0	2015/06/25	NEW	Myron.Yuan		Myron.Yuan
REV	DATE	MODIFICATION DESCRIPTIO	DRAW	CHANGE	APPROVE



SECTION A-A  
SCALE 1:1  
CONDUCT CRIMP 12 AWG



SECTION A-A  
SCALE 1:1  
CONDUCT CRIMP 14/16 AWG



SECTION B-B  
SCALE 2:1

PART NUMBER CODING  
T57001-B XX 1

Contact plating  
G4:15U"Gold  
G6:30U"Gold  
SN:Tin

T57001-BG61	High Conductive Brass	AWG#12-16	1.85MM(MAX)	Stamping Before Plating:20u"Min.Ni; Contact Area Gold 30u"Min.	CURRENT RATING									
T57001-BG41				AWG&Metric Wire Size	CKT. SIZE									
T57001-BSN1					2	4	6	8-12						
PART NO.	MATERIAL	WIRE RANGE	INSULATION O.D	FINLSH	12 AWG,4.0mm <sup>2</sup>	14 AWG,4.0mm <sup>2</sup>	16 AWG,4.0mm <sup>2</sup>	21A	18A	16A	14A	13A	11A	10A



Tel:+86 769 82581808 FAX:+86 769 81766192  
E-Mail:sales@winpin.net Http:www.winpin.net

NOTES:  
Current Rating:23AMP  
Withstand Voltage:2200V AC/Minute  
Voltage Rating:600V AC/DC  
Contact Resistance:5mΩ Max  
Insulation Resistance:1000MΩ  
Temperature Range:-40°C to +105°C  
After Environmental Testing:10mΩ Max  
Applicable Wires:AWG#12~#16  
Applicable Housing:H57001-2XXX1

Material:  
Contact Material:High Conductive Brass

UNLESS OTHERWISE SPECIFIED DIMENSIONS ARE IN METRIC TOLERANCES ARE:  
DECIMALS Angle  
X.X:±0.40 ± 3°  
X.XX:±0.25  
X.XXX:±0.15

PART NO: T57001-BXX1  
TITLE: 5.70mm pitch Terminal

SCALE	1:1
UNIT	MM
PROJ.	
SHEET	

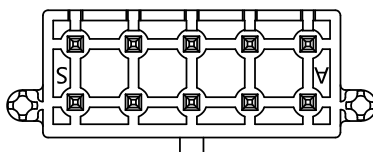
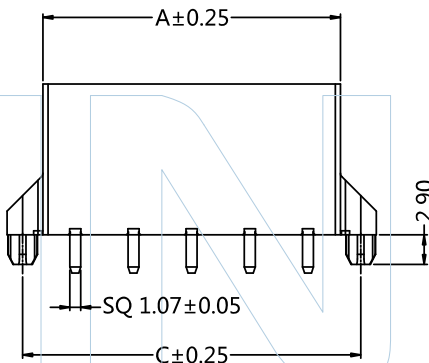
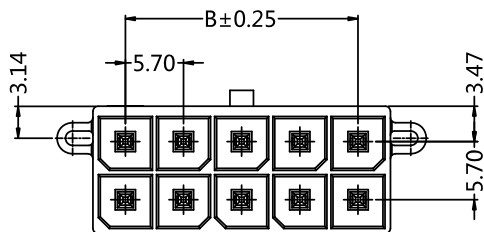
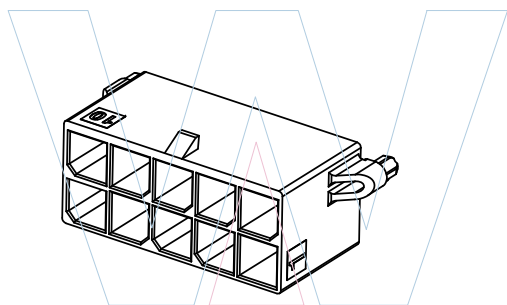
A0	2015/06/25	NEW	Myron.Yuan	Myron.Yuan	
REV	DATE	MODIFICATION DESCRIPTIO	DRAW	CHANGE	APPROVE



### PART NUMBER CODING

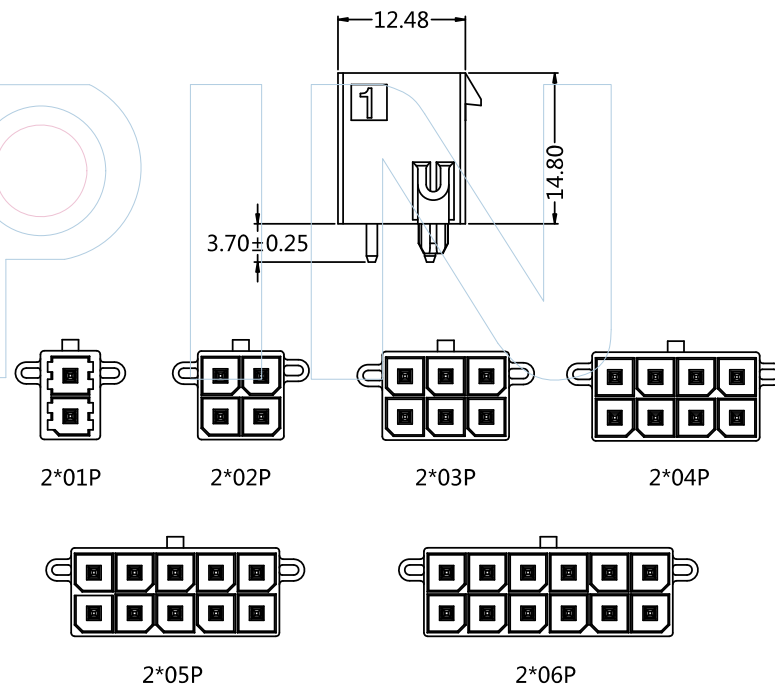
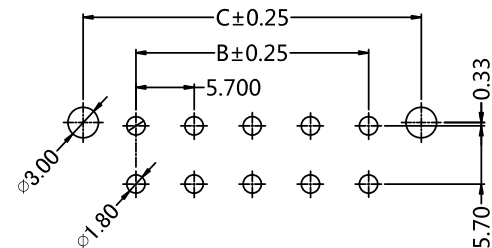
W57001-2 XX S XX X X 1

No.of pins: 01-06P  
 Contact plating: SN: Tin  
 Color: B=Black  
 Packing: A=Tray



### Recommended P.C.B Layout(Top Side)

(PCB BOARD TOLERANCE±0.05)



POLES	Dimensions(mm)		
	A	B	C
2*01	8.35		12.34
2*02	12.05	5.70	16.04
2*03	17.75	11.40	21.74
2*04	23.45	17.10	27.44
2*05	29.15	22.80	33.14
2*06	34.85	28.50	38.84

Tel: +86 769 82581808 FAX: +86 769 81766192  
 E-Mail: sales@winpin.net Http: www.winpin.net

PART NO: W57001-2XXSXXX1  
 TITLE: 5.70 Wafer dual row 180° DIP

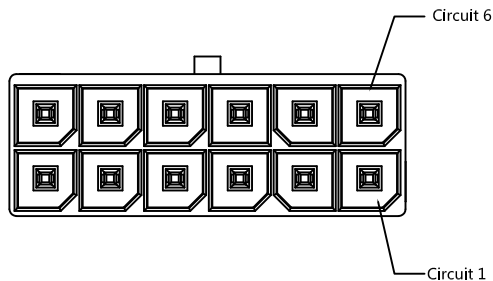
NOTES:  
 Current Rating:23AMP  
 Withstand Voltage:2200V AC/Minute  
 Voltage Rating:600V AC/DC  
 Contact Resistance:2mΩ Max  
 Insulation Resistance:1000MΩ  
 Temperature Range:-40°C to +105°C  
 After Environmental Testing:10mΩ Max  
 Applicable Housing:H57001-2XXX1  
 Applicable Terminal:T57001-BXX1

Material:  
 Contact Material:High Conductive Brass  
 Contact Plating:Matte Tin  
 Insulator Material:LCP(UL94V-0)

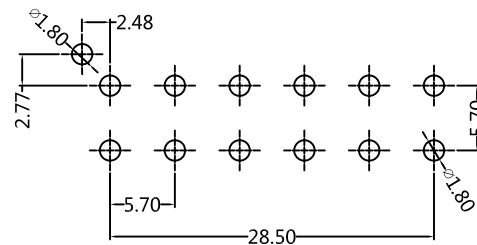
UNLESS OTHERWISE SPECIFIED DIMENSIONS ARE IN METRIC  
 TOLERANCES ARE:  
 DECIMALS Angle  
 X.X:±0.40 ± 3°  
 X.XX:±0.25  
 X.XXX:±0.15

SCALE 1:1  
 UNIT MM  
 PROJ.   
 SHEET

A0	2015/06/25	NEW	Myron.Yuan	Myron.Yuan
REV	DATE	MODIFICATION DESCRIPTION	DRAW	CHANGE APPROVE



Recommended P.C.B Layout(Top Side)  
(PCB BOARD TOLERANCE+0.05)



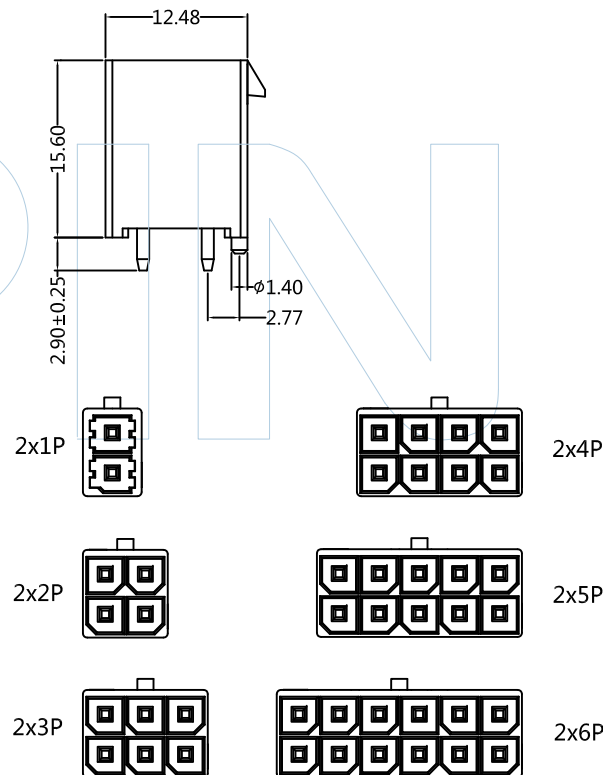
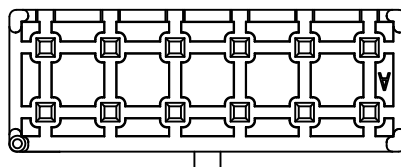
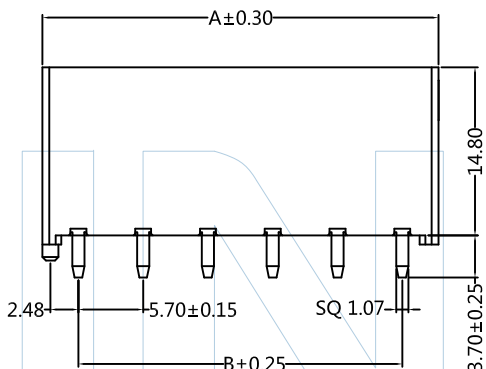
PART NUMBER CODING  
W57001-2 XX S XX X X 2

No. of pins  
Row:  
01-06P

Contact plating  
G0:Gold Flash  
G1:3U\*Gold  
G2:5U\*Gold  
G3:10U\*Gold  
G4:15U\*Gold  
G5:20U\*Gold  
G6:30U\*Gold  
S0:Gold Flash/Tin  
S1:3U\*Gold/Tin  
S2:5U\*Gold/Tin  
S3:10U\*Gold/Tin  
S4:15U\*Gold/Tin  
S6:30U\*Gold/Tin  
SN:Tin  
SF:Foggy Tin

Color  
B=Black

Packing:  
A=Tray



PART NO.	Dimensions(mm)	
	A	B
2*01	8.35	
2*02	12.05	5.70
2*03	17.75	11.40
2*04	23.45	17.10
2*05	29.15	22.80
2*06	34.85	28.50



Tel:+86 769 82581808 FAX:+86 769 81766192  
E-Mail:sales@winpin.net Http:www.winpin.net

PART NO:W57001-2XXSXXXX2

TITLE: 5.70mm Wafer Dual Row 180° DIP

NOTES:  
Voltage Rating:600V AC/DC  
Current Rating:23A AC/DC  
Withstand Voltage:2200V AC/Minute  
Temperature Range:-40°C to +105°C  
Insulation Resistance:1000MΩ  
Contact Resistance:2mΩ Max  
Applicable Housing:H57001-2XXXX1  
Applicable Terminal:T57001-BXX1

Material:  
Current :High Conductivity Copper  
Current Plating:Au or Sn over Ni  
Insulator :LCP(UL94V-0)

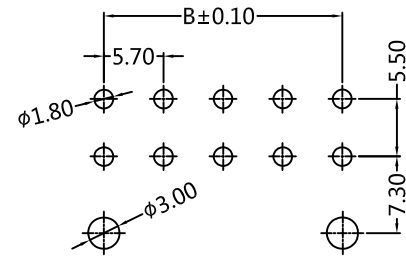
UNLESS OTHERWISE SPECIFIED DIMENSIONS ARE IN METRIC TOLERANCES ARE:  
DECIMALS Angle  
X.X:±0.40 ± 3°  
X.XX:±0.25  
X.XXX:±0.15

SCALE	1:1
UNIT	MM
PROJ.	
SHEET	

A0	2022/06/29	NEW	GF.He	Andy	
REV	DATE	MODIFICATION DESCRIPTIO	DRAW	CHANGE	APPROVE



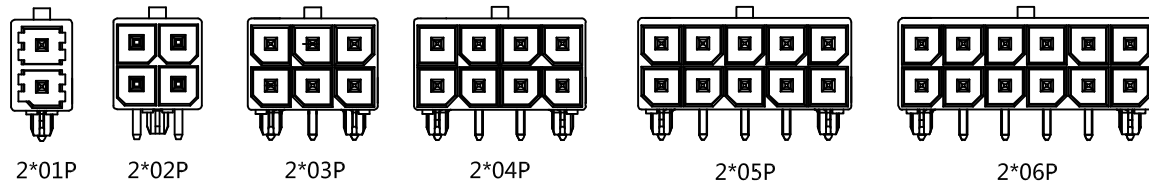
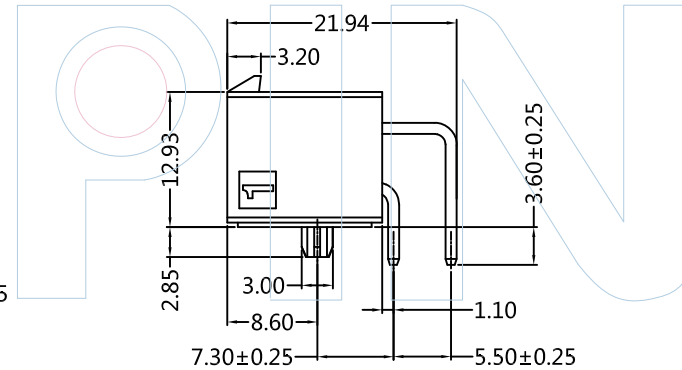
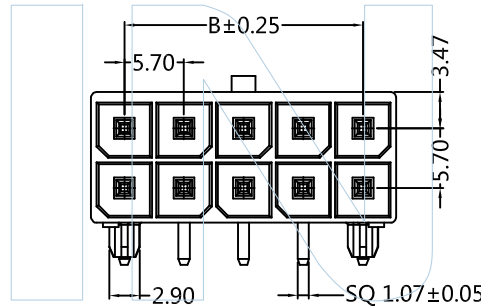
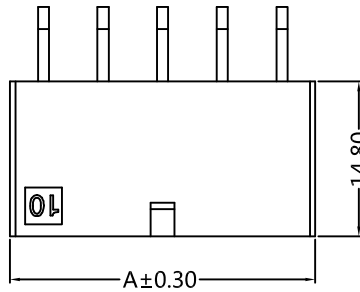
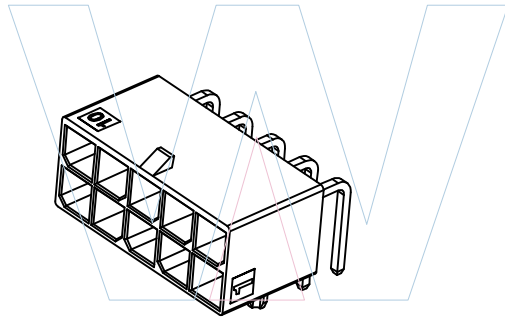
Recommended P.C.B Layout(Top Side)  
(PCB BOARD TOLERANCE±0.05)



PART NUMBER CODING

W57001-2 XX R XX X X 1

No.of pins: 01-06P  
Contact plating: SN: Tin  
Color: B=Black  
Packing: A=Tray



PART NO.	Dimensions(mm)	
	A	B
2*01	8.35	
2*02	12.05	5.70
2*03	17.75	11.40
2*04	23.45	17.10
2*05	29.15	22.80
2*06	34.85	28.50

**WINPIN**  
 Tel: +86 769 82581808 FAX: +86 769 81766192  
 E-Mail: sales@winpin.net Http: www.winpin.net

PART NO: W57001-2XXRXXX1  
 TITLE: 5.70 Wafer dual row 90° DIP

NOTES:  
 Current Rating:23AMP  
 Withstand Voltage:2200V AC/Minute  
 Voltage Rating:600V AC/DC  
 Contact Resistance:2mΩ Max  
 Insulation Resistance:1000MΩ  
 Temperature Range:-40°C to +105°C  
 After Environmental Testing:10mΩ Max  
 Applicable Housing:H57001-2XXX1  
 Applicable Terminal:T57001-BXX1

Material:  
 Contact Material:High Conductive Brass  
 Contact Plating:Matte Tin  
 Insulator Material:LCP(UL94V-0)

UNLESS OTHERWISE SPECIFIED DIMENSIONS ARE IN METRIC  
 TOLERANCES ARE:  
 DECIMALS Angle  
 X.X:±0.40 ± 3°  
 X.XX:±0.25  
 X.XXX:±0.15

SCALE	1:1
UNIT	MM
PROJ.	
SHEET	

A0	2015/06/25	NEW	Hua.ZT		Hua.ZT
REV	DATE	MODIFICATION DESCRIPTIO	DRAW	CHANGE	APPROVE