

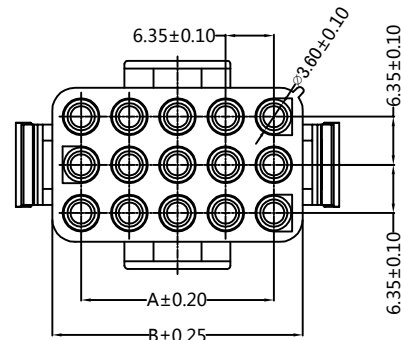
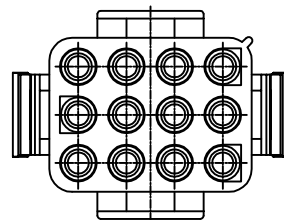
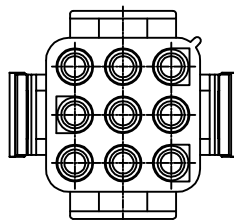
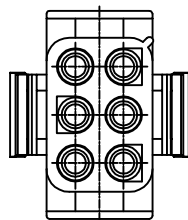


3*2P

3*3P

3*4P

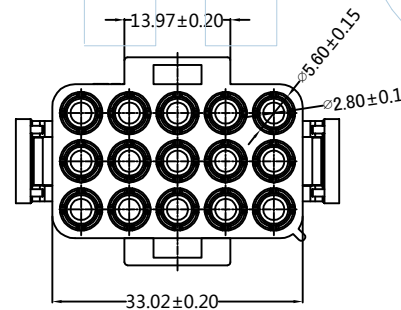
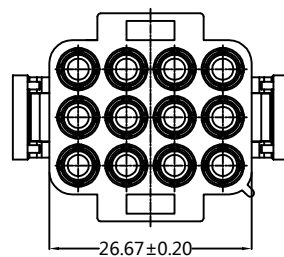
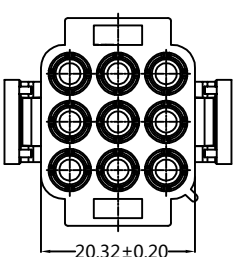
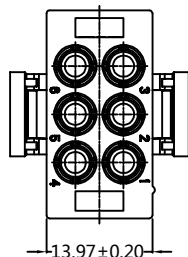
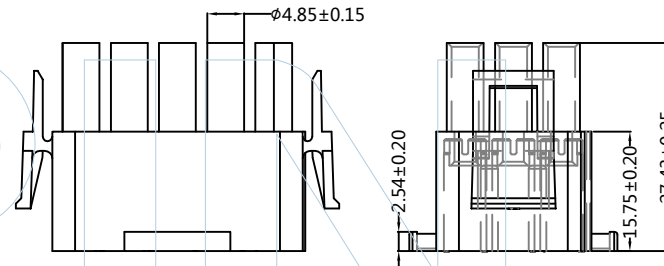
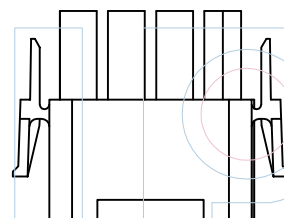
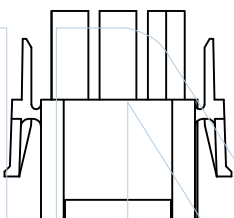
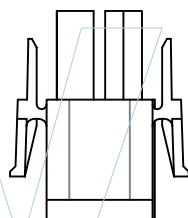
3*5P



PART NUMBER CODING
H63501-3 XX X 1

No. of pins
02-05P

Color
W=White



Circuit No.	Dimensions	
	A	B
02P	6.35	13.97
03P	12.70	20.32
04P	19.05	26.67
05P	25.40	33.02



Tel: +86 769 82581808 FAX: +86 769 81766192
E-Mail: sales@winpin.net Http: www.winpin.net

PART NO: H63501-3XXX1

TITLE: 6.35mm Three Row Housing

NOTES:
Current Rating:13.5AMP
Voltage Rating:600V AC,DC
Withstand Voltage:5000V AC/DC
Contact Resistance:3.5mΩ Max
Insulation Resistance:1000MΩ Min
Operation Temperature:-40°C to +105°C
Applicable Terminal:T63501-BXX1

Material:
Insulation Material: Nylon 66,UL94V-0

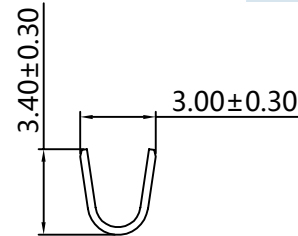
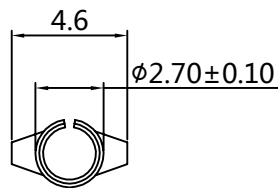
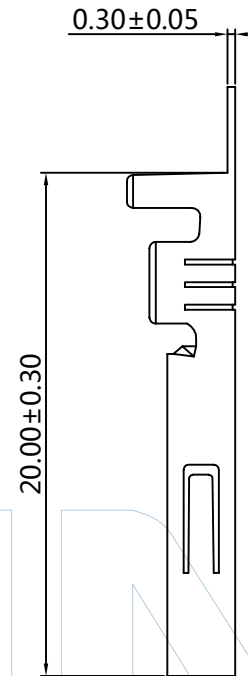
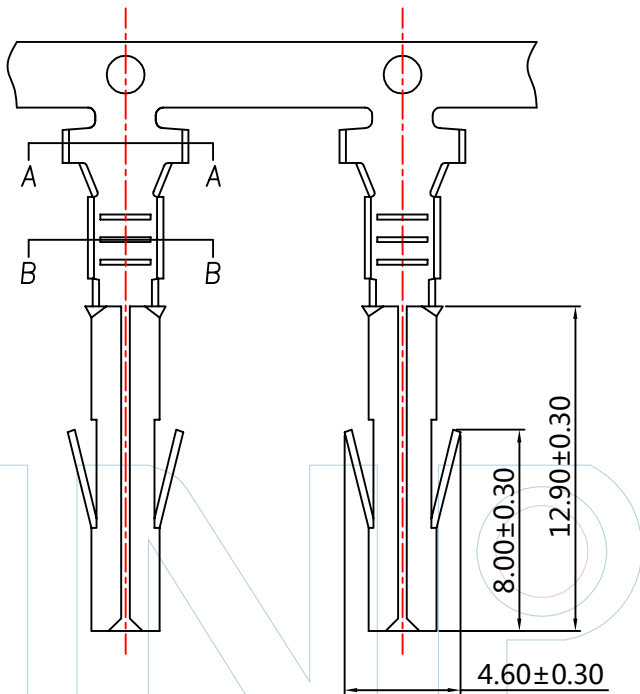
UNLESS OTHERWISE SPECIFIED DIMENSIONS ARE IN METRIC
TOLERANCES ARE:
DECIMALS Angle
X.X:±0.40 ± 3°
X.XX:±0.25
X.XXX:±0.15

SCALE	1:1
UNIT	MM
PROJ.	
SHEET	

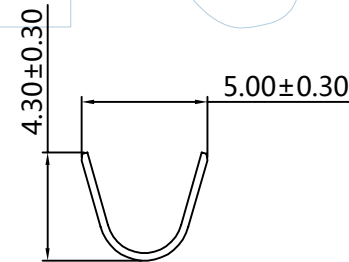
A0	2021/06/13	NEW	GF.He		Andy
REV	DATE	MODIFICATION DESCRIPTIO	DRAW	CHANGE	APPROVE

PART NUMBER CODING
T63501-P XX 1

Contact plating
 SN: Tin



SECTION: B-B



SECTION: A-A



Tel: +86 769 82581808
 E-Mail: sales@winpin.net

FAX: +86 769 81766192
 Http: www.winpin.net

PART NO: T63501-PXX1

TITLE: 6.35mm Female Terminal

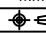
NOTES:

Current Rating: 10 AMP
 Voltage Rating: 300V AC/DC
 Withstand Voltage: 1500V AC/Minute
 Contact Resistance: 20mΩ Max
 Insulation Resistance: 1000MΩ Min
 Applicable wires: AWG#16--#22
 Applicable Terminal: H63501-1XXXX
 Applicable Wafer: W63501-1XXXXXXX

MATERIAL:

Contact: Phosphor Bronze
 Contact Plating: Sn over Ni

UNLESS OTHERWISE SPECIFIED DIMENSIONS ARE IN METRIC
 TOLERANCES ARE:
 DECIMALS Angle
 X.X: ±0.40 ± 3°
 X.XX: ±0.25
 X.XXX: ±0.15

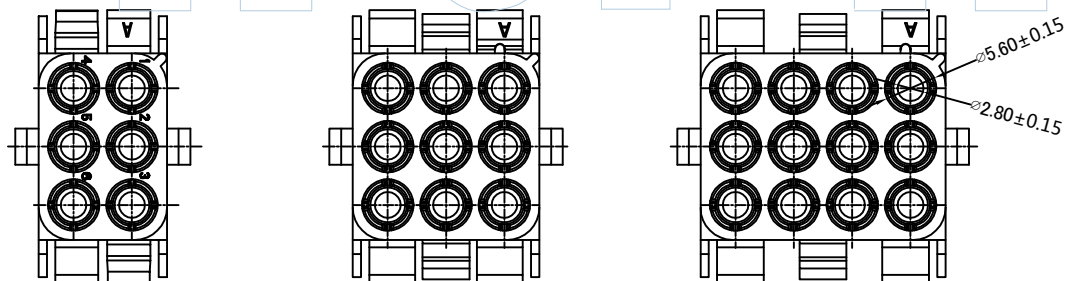
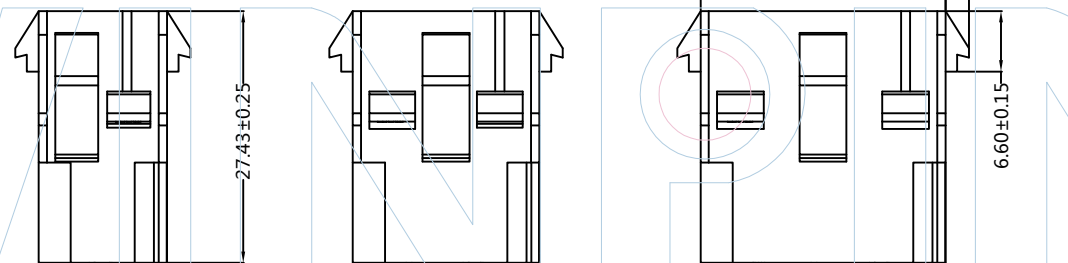
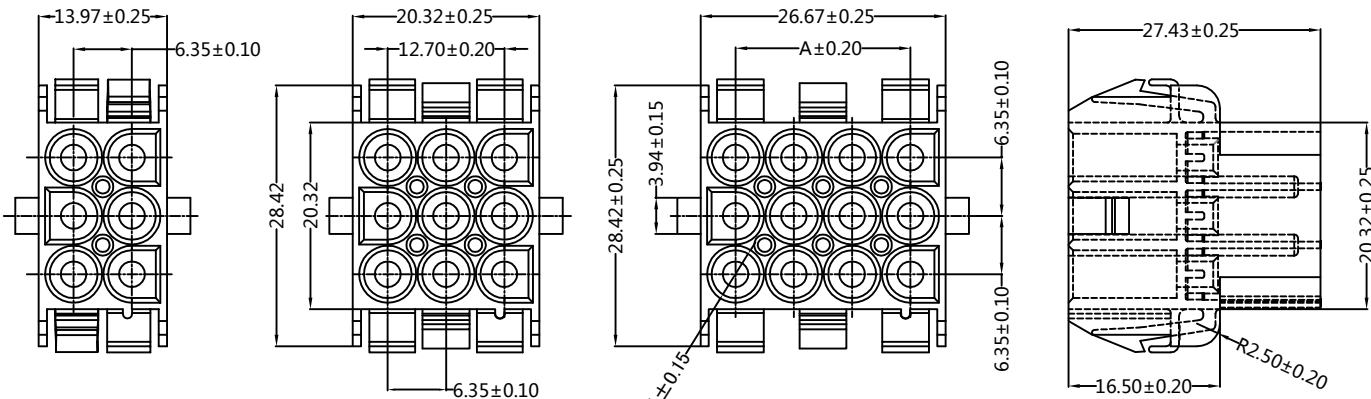
SCALE 1:1
 UNIT MM
 PROJ. 
 SHEET

A0	2015/06/25	NEW	GF.He	Andy
REV	DATE	MODIFICATION DESCRIPTION	DRAW	CHANGE
APPROVE				



PART NUMBER CODING H63501-3 XX X 2

No. of pins
02-05P Color
W=White



3*2P

3*3P

3*4P

Circuit No.	Dimensions	
	A	B
02P	6.35	13.97
03P	12.70	20.32
04P	19.05	26.67
05P	25.40	33.02



Tel: +86 769 82581808 FAX: +86 769 81766192
E-Mail: sales@winpin.net Http: www.winpin.net

PART NO: H63501-3XXX2

TITLE: 6.35mm Three Row Housing

NOTES:
Current Rating:13.5AMP
Voltage Rating:600V AC/DC
Withstand Voltage:5000V AC/DC
Contact Resistance:3.5mΩ Max
Insulation Resistance:1000MΩ Min
Operation Temperature:-40°C to +105°C
Applicable Terminal:T63501-BXX2

Material: Nylon 66,UL94V-0

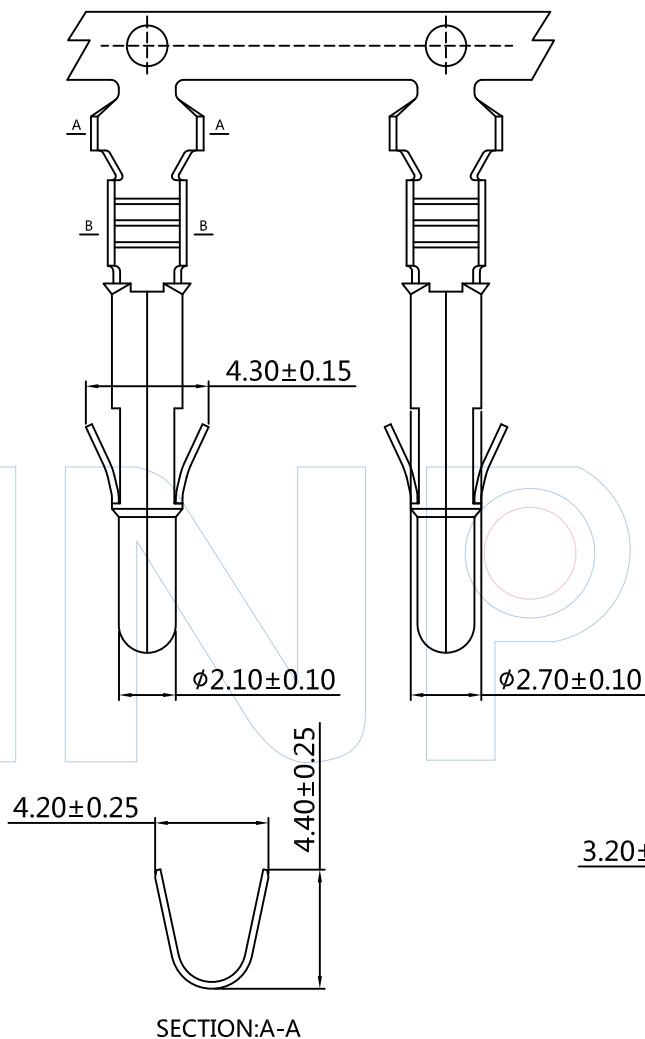
UNLESS OTHERWISE SPECIFIED DIMENSIONS ARE IN METRIC
TOLERANCES ARE:
DECIMALS Angle
X.X:±0.40 ± 3°
X.XX:±0.25
X.XXX:±0.15

SCALE	1:1	A0	2022/06/13	NEW	GF.He	Andy
UNIT	MM	REV	DATE	MODIFICATION DESCRIPTION	DRAW	CHANGE
PROJ.						
SHEET						



PART NUMBER CODING
T63501-P XX 2

Contact plating
 SN: Tin



Tel: +86 769 82581808 FAX: +86 769 81766192
 E-Mail: sales@winpin.net Http: www.winpin.net

PART NO: T63501-PXX2

TITLE: 6.35mm Male Terminal

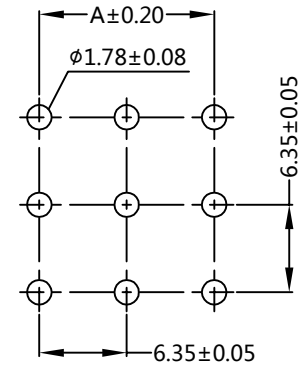
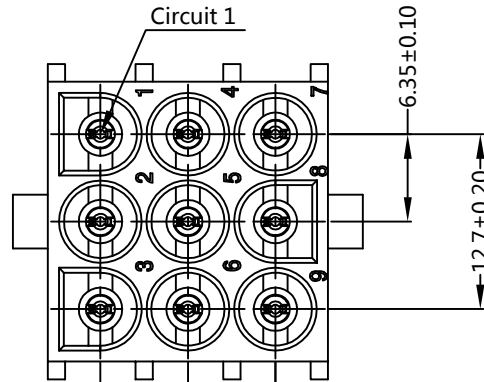
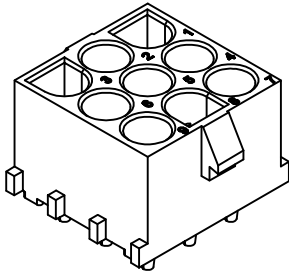
NOTES:
 Current Rating: 10 AMP
 Voltage Rating: 300V AC/DC
 Withstand Voltage: 1500V AC/Minute
 Contact Resistance: 20mΩ Max
 Insulation Resistance: 1000MΩ Min
 Operation Temperature: -25°C to +85°C
 Applicable wires: AWG#16~#22
 Applicable Terminal: H63501-1XXX2

Material:
 Contact Material: Phosphor Bronze
 Contact Plating: Sn over Ni

UNLESS OTHERWISE SPECIFIED DIMENSIONS ARE IN METRIC TOLERANCES ARE:
 DECIMALS Angle
 X.X: ±0.40 ± 3°
 X.XX: ±0.25
 X.XXX: ±0.15

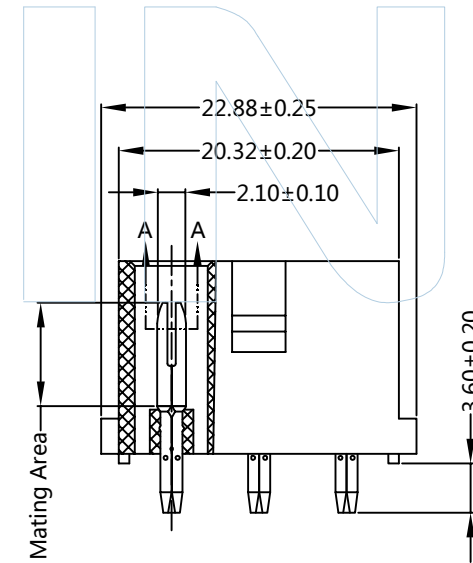
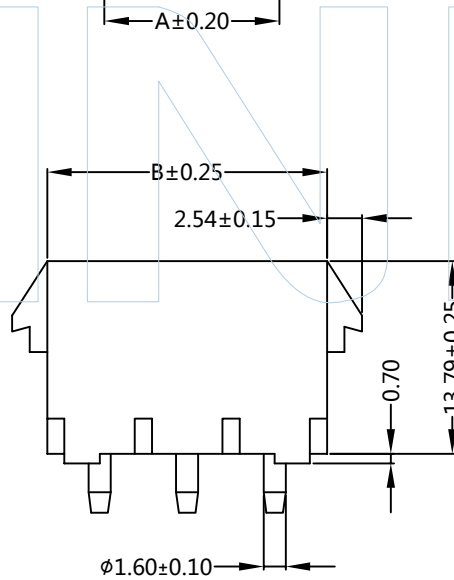
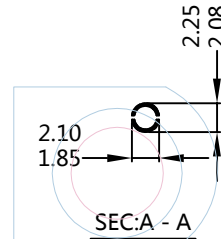
SCALE	1:1
UNIT	MM
PROJ.	
SHEET	

A0	2022/06/13	NEW	Andy		Andy
REV	DATE	MODIFICATION DESCRIPTIO	DRAW	CHANGE	APPROVE



PART NUMBER CODING
W63501-3 XX S XX X X 1

- No. of pins: 02-05P
- Contact plating:
 - G0: Gold Flash
 - G1: 3U" Gold
 - G2: 5U" Gold
 - G3: 10U" Gold
 - G4: 15U" Gold
 - G5: 20U" Gold
 - G6: 30U" Gold
 - S0: Gold Flash/Tin
 - S1: 3U" Gold/Tin
 - S2: 5U" Gold/Tin
 - S3: 10U" Gold/Tin
 - S4: 15U" Gold/Tin
 - S6: 30U" Gold/Tin
 - SN: Tin
- Color:
 - N= Natural
 - W= White
- Packing:
 - B= PE Bag



Ordering Information & Dimensions					
Circuits	Dimensions(mm)		Circuits	Dimensions(mm)	
	A	B		A	B
3x2P	6.35	13.97	3x4P	19.05	26.67
3x3P	12.70	20.32	3x5P	25.40	33.02



Tel: +86 769 82581808 FAX: +86 769 81766192
 E-Mail: sales@winpin.net Http: www.winpin.net

PART NO: W63501-3XXSXXXX1

TITLE: 6.35 Pitch 180° 2/2000 Three Row Wafer Male Type

NOTES:
 Current Rating: 13.5AMP
 Voltage Rating: 600V AC, DC
 Withstand Voltage: 5000V AC/DC
 Contact Resistance: 3.5mΩ Max
 Insulation Resistance: 1000MΩ Min
 Operation Temperature: -40°C to +105°C
 Applicable Housing: H63501-3XXXX
 Applicable Terminal: T63501-BXXX

Contact Material: Brass
 Contact Plating: Tin over Nickel
 Insulator Material: PA66(UL94V-2)

UNLESS OTHERWISE SPECIFIED DIMENSIONS ARE IN METRIC
 TOLERANCES ARE:
 DECIMALS Angle
 X.X: ±0.40 ± 3°
 X.XX: ±0.25
 X.XXX: ±0.15

SCALE	1:1
UNIT	MM
PROJ.	
SHEET	

A0	2019/01/20	NEW	Jason.Huang		Jason.Huang
REV	DATE	MODIFICATION DESCRIPTO	DRAW	CHANGE	APPROVE