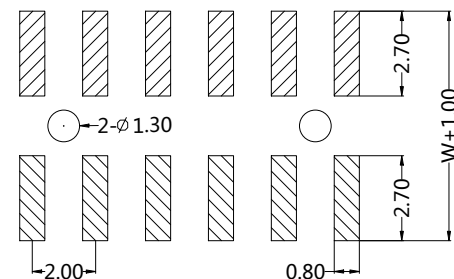




Recommended P.C.B Layout(Top Side)  
(PCB BOARD TOLERANCE±0.05)



PART NUMBER CODING

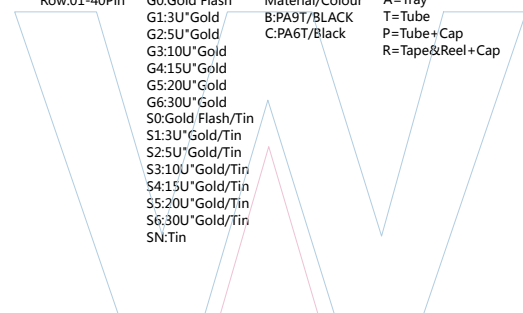
FHEM635-2 XX XX X Y X 2 - 1

No. of Pins  
Row:01~40Pin

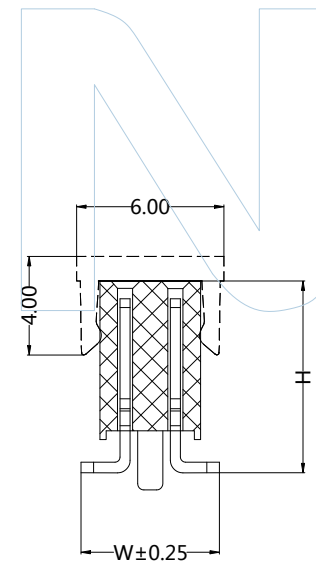
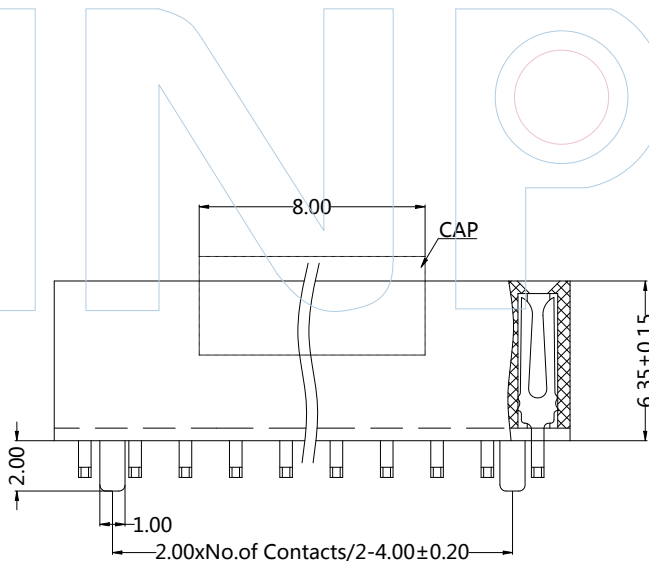
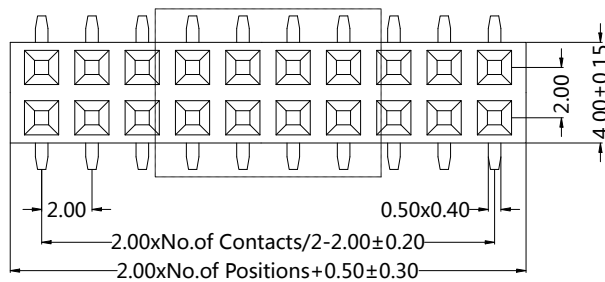
Contact Plating

Insulator  
Material/Colour

Packing  
A=Tray  
T=Tube  
P=Tube+Cap  
R=Tape&Reel+Cap



- G0:Gold Flash
- G1:3U\*Gold
- G2:5U\*Gold
- G3:10U\*Gold
- G4:15U\*Gold
- G5:20U\*Gold
- G6:30U\*Gold
- S0:Gold Flash/Tin
- S1:3U\*Gold/Tin
- S2:5U\*Gold/Tin
- S3:10U\*Gold/Tin
- S4:15U\*Gold/Tin
- S5:20U\*Gold/Tin
- S6:30U\*Gold/Tin
- SN:Tin



Dimensions Antitheses List

Part No.	W	H
FHEM63-2XXXXXXYX2	5.50	7.60



Tel: +86 769 82581808  
E-Mail:sales@winpin.net

FAX: +86 769 81766192  
Http:www.winpin.net

NOTES:  
Current Rating:2.0AMP  
Contact Resistance:20mΩ Max  
Insulation Resistance:1000MΩ Min  
Withstand Voltage:500V AC/Minute  
Operation Temperature: -40°C to +105°C

MATERIAL:  
Contact Material:Brass  
Contact Plating:Au or Sn over Ni  
Insulator Material:PA9T/PA6T+30%GF  
(UL94V-0)

UNLESS OTHERWISE SPECIFIED DIMENSIONS ARE IN METRIC TOLERANCES ARE:  
DECIMALS Angle  
X.X:±0.40 ± 3°  
X.XX:±0.25  
X.XXX:±0.15

PART NO: FHEM635-2XXXXXXYX2-1

TITLE: FH2.00mm Dual Female SMT

SCALE	1:1
UNIT	MM
PROJ.	
SHEET	

A0	2018/06/25	NEW	Jason.Huang		Jason.Huang
REV	DATE	MODIFICATION DESCRIPTIO	DRAW	CHANGE	APPROVE