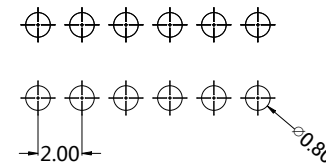


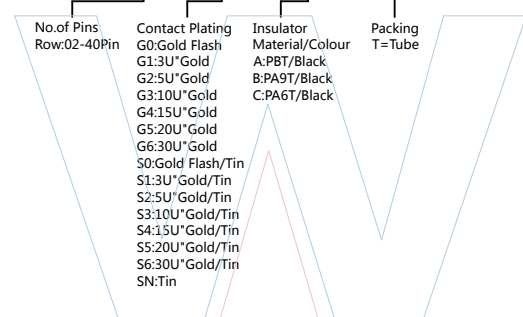


Recommended P.C.B Layout(Top Side)  
(PCB BOARD TOLERANCE±0.05)



PART NUMBER CODING

FHER635-2 XX XX X Y X 1

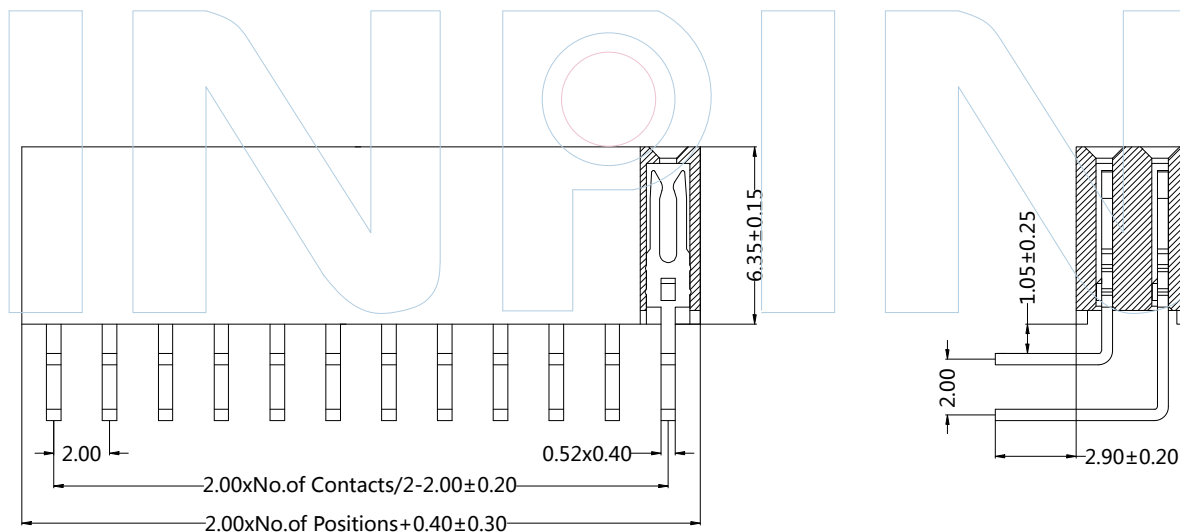
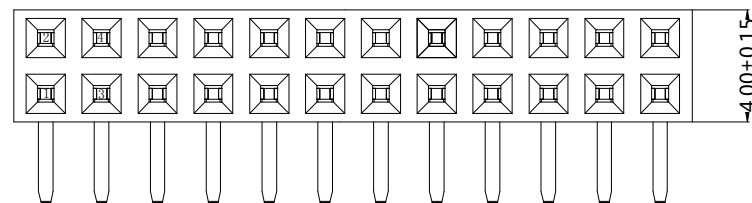


No. of Pins  
Row:02-40Pin

Contact Plating  
G0:Gold Flash  
G1:3U"Gold  
G2:5U"Gold  
G3:10U"Gold  
G4:15U"Gold  
G5:20U"Gold  
G6:30U"Gold  
S0:Gold Flash/Tin  
S1:3U"Gold/Tin  
S2:5U"Gold/Tin  
S3:10U"Gold/Tin  
S4:15U"Gold/Tin  
S5:20U"Gold/Tin  
S6:30U"Gold/Tin  
SN:Tin

Insulator  
Material/Colour  
A:PBT/Black  
B:PA9T/Black  
C:PA6T/Black

Packing  
T=Tube



Tel: +86 769 82581808  
E-Mail:sales@winpin.net

FAX: +86 769 81766192  
Http:www.winpin.net

PART NO: FHER635-2XXXXXX1

TITLE: FH2.00mm Dual Female H=6.35mm 90°

NOTES:  
Current Rating:2.0AMP  
Contact Resistance:20mΩ Max  
Insulation Resistance:1000MΩ Min  
Withstand Voltage:500V AC/Minute  
Operation Temperature:-40°C to +105°C

MATERIAL:  
Contact Material:Brass  
Contact Plating:Au or Sn over Ni  
Insulator Material:PBT/PA9T/PA6T+30%GF  
(UL94V-0)

UNLESS OTHERWISE  
SPECIFIED DIMENSIONS  
ARE IN METRIC  
TOLERANCES ARE:  
DECIMALS Angle  
X.X:±0.40 ± 3°  
X.XX:±0.25  
X.XXX:±0.15

SCALE	1:1
UNIT	MM
PROJ.	
SHEET	

A0	2015/06/25	NEW	Huan.Tan			Huan.Tan
REV	DATE	MODIFICATION DESCRIPTIO	DRAW	CHANGE	APPROVE	