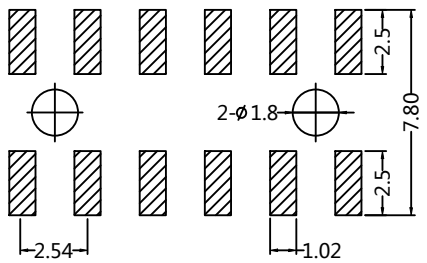


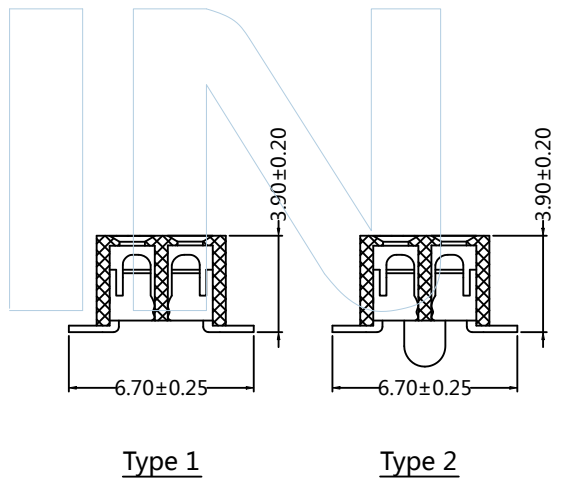
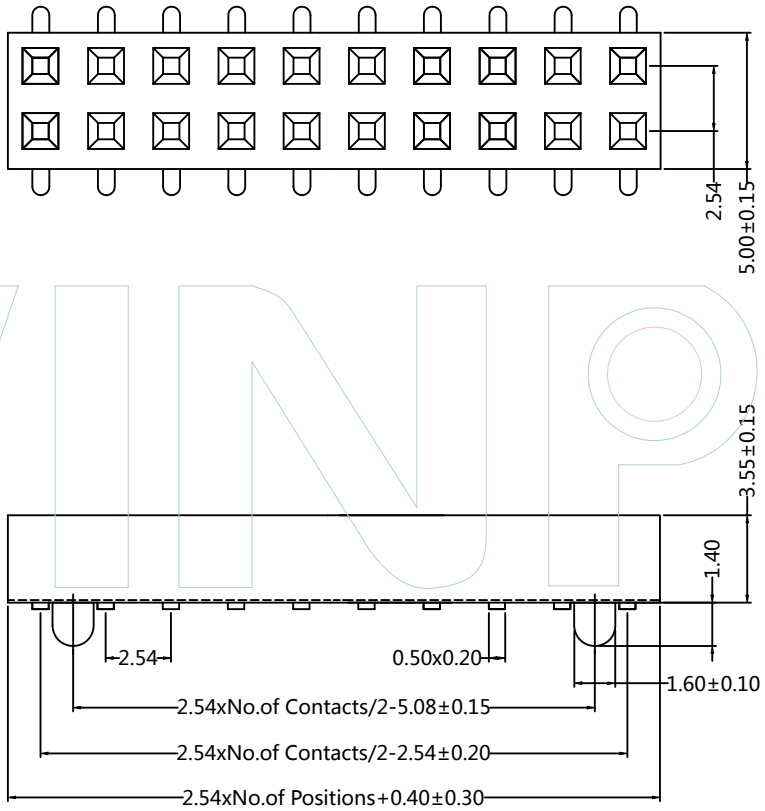
Recommended P.C.B Layout(Top Side)
(PCB BOARD TOLERANCE±0.05)



PART NUMBER CODING

FHFM35- 2 XX XX X U X X

- No. of Pins Row:02-40Pin
- Contact Plating
 - G0:Gold Flash
 - G1:3U"Gold
 - G2:5U"Gold
 - G3:10U"Gold
 - G4:15U"Gold
 - G5:20U"Gold
 - G6:30U"Gold
 - S0:Gold Flash/Tin
 - S1:3U"Gold/Tin
 - S2:5U"Gold/Tin
 - S3:10U"Gold/Tin
 - S4:15U"Gold/Tin
 - S5:20U"Gold/Tin
 - S6:30U"Gold/Tin
 - SN:Tin
- Insulator Material/Colour
 - B:PA9T/Black
 - C:PA6T/Black
- Packing
 - T=Tube
 - P=Tube+Cap
 - R=Tape&Reel+Cap
- Series No.
 - 3=Type1
 - 4=Type2



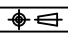
WINPIN
 Tel: +86 769 82581808 FAX: +86 769 81766192
 E-Mail:sales@winpin.net Http://www.winpin.net

NOTES:
 Current Rating:3.0AMP
 Contact Resistance:20mΩ Max
 Insulation Resistance:1000MΩ Min
 Withstand Voltage:500V AC/Minute
 Operation Temperature:-40°C to +105°C

MATERIAL:
 Contact Material:Brass
 Contact Plating:Au or Sn over Ni
 Insulator Material:PA9T/PA6T+30%GF
 (UL94V-0)

UNLESS OTHERWISE SPECIFIED DIMENSIONS ARE IN METRIC TOLERANCES ARE: DECIMALS Angle X.X:±0.40 ± 3° X.XX:±0.25 X.XXX:±0.15

PART NO: FHFM35-2XXXXXUXX
 TITLE: FH2.54mm Dual Female H=3.5mm 180°SMT

SCALE	1:1	A0	2015/06/25	NEW	GF.He	Andy
UNIT	MM	REV	DATE	MODIFICATION DESCRIPTIO	DRAW	CHANGE
PROJ.						
SHEET						