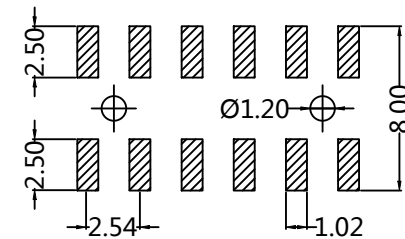


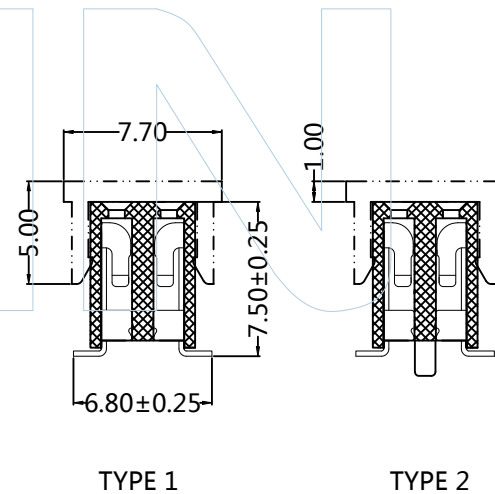
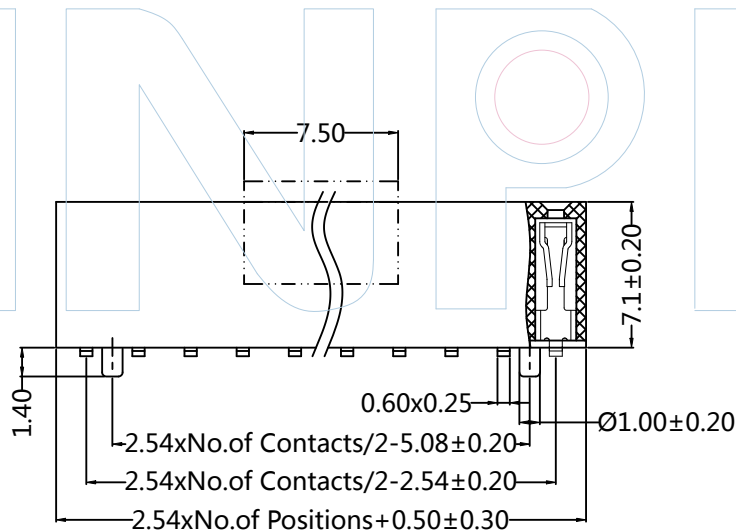
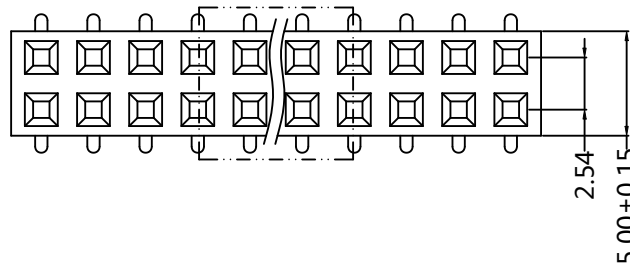
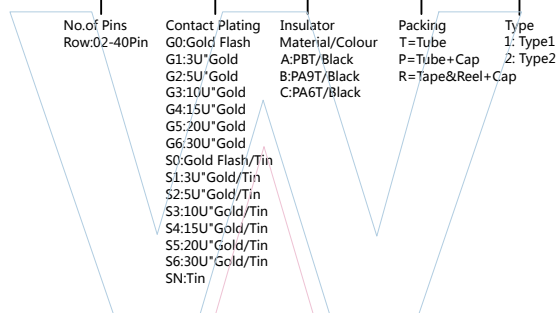


Recommended P.C.B Layout(TOP Side)
(PCB BOARD TOLERANCE±0.05)



PART NUMBER CODING

FHFM71- 2 XX XX X O X X



Tel: +86 769 82581808 FAX: +86 769 81766192
E-Mail:sales@winpin.net Http://www.winpin.net

PART NO: FHFM71-2XXXXXX

TITLE: FH2.54mm Dual Female H=7.1mm SMT O端 双面接触

NOTES:
Current Rating:3.0AMP
Contact Resistance:20mΩ Max
Insulation Resistance:1000MΩ Min
Withstand Voltage:1000V AC
Operation Temperature:-40°C to +105°C

MATERIAL:
Contact Material:Brass
Contact Plating:Au or Sn over Ni
Insulator Material:PBT/PA9T/PA6T+30%GF (UL94V-0)

UNLESS OTHERWISE SPECIFIED DIMENSIONS ARE IN METRIC TOLERANCES ARE:
DECIMALS Angle
X.X:±0.40 ± 3°
X.XX:±0.25
X.XXX:±0.15

SCALE	1:1
UNIT	MM
PROJ.	
SHEET	

A0	2022/08/23	NEW	Andy		Andy
REV	DATE	MODIFICATION DESCRIPTIO	DRAW	CHANGE	APPROVE