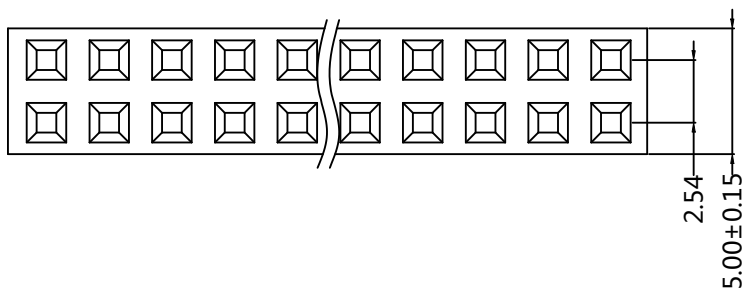
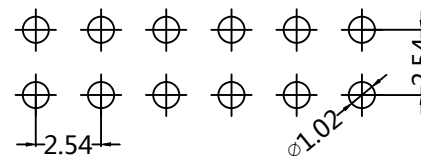
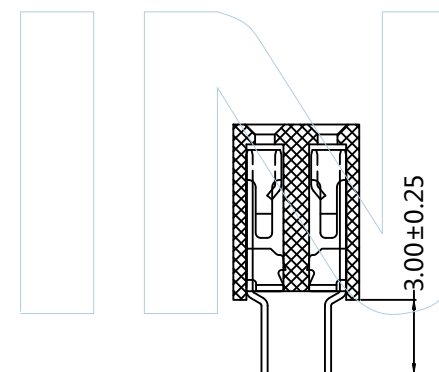
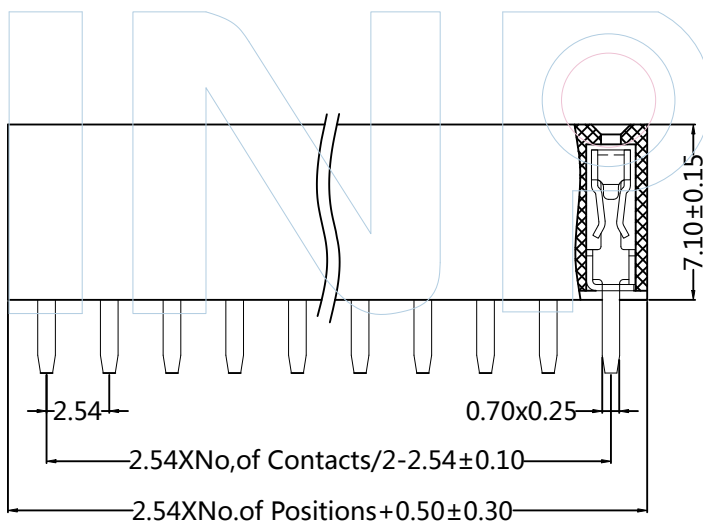
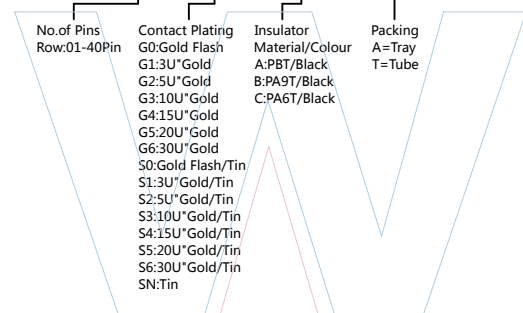


Recommended P.C.B Layout(TOP Side)  
(PCB BOARD TOLERANCE±0.05)



PART NUMBER CODING

FHFS71- 2 XX XX X O X 1



A0	2021/08/23	NEW	Andy	Andy	
REV	DATE	MODIFICATION DESCRIPTIO	DRAW	CHANGE	APPROVE