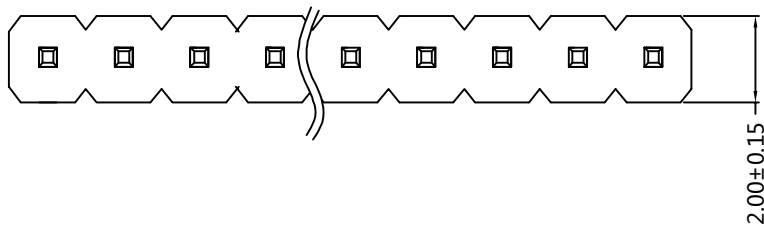
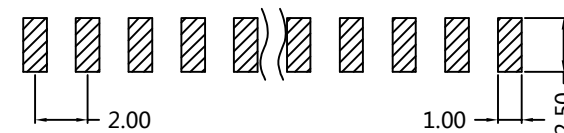
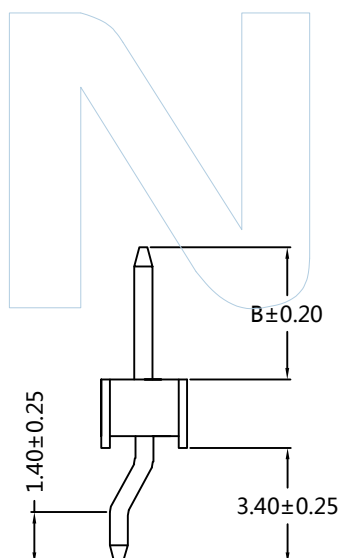
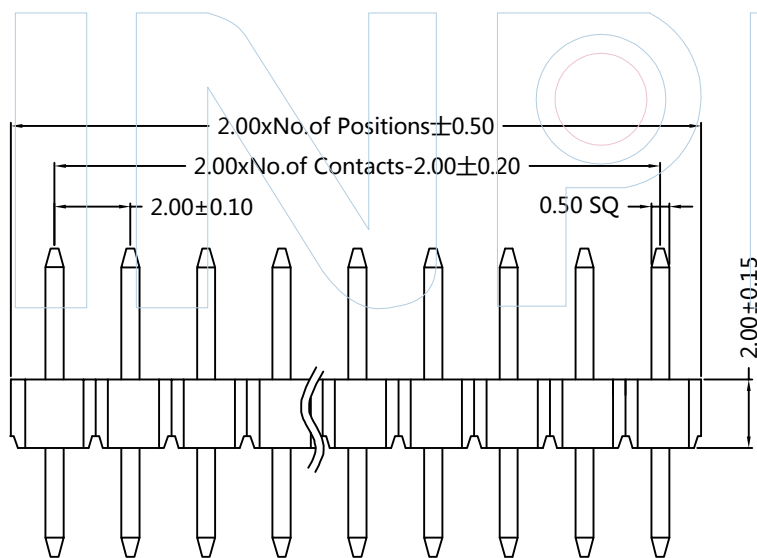
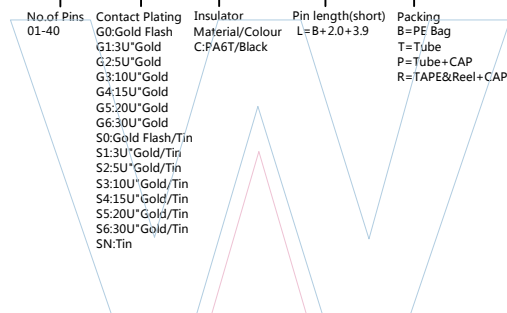




Recommended P.C.B Layout(Top Side)
(PCB BOARD TOLERANCE ±0.05)



PART NUMBER CODING
PHEZ20-11 XX XX X XXX X 3



Dimension antitheses list			
ITEM	B		
Standard	4.00		
Alternate			



Tel: +86 769 82581808 FAX: +86 769 81766192
E-Mail: sales@winpin.net Http: www.winpin.net

PART NO: PHEZ20-11XXXXXXXXX3

TITLE: Pin Header 2.00mm Single ROW 90°SMT H=2.0mm

NOTES:
Current Rating:1.5AMP
Withstand Voltage:500V AC/DC
Contact Resistance:20mΩ Max
Insulation Resistance:1000MΩ Min
Operation Temperature:-40°C to +105°C

Contact Material:Brass
Contact Plating:Au or Sn over Ni
Insulator Material:PA6T+30%GF(UL94V-0)

UNLESS OTHERWISE SPECIFIED DIMENSIONS ARE IN METRIC
TOLERANCES ARE:
DECIMALS Angle
X.X: ±0.40 ± 3°
X.XX: ±0.25
X.XXX: ±0.15

SCALE	1:1
UNIT	MM
PROJ.	
SHEET	

A0	2018/06/25	NEW	Jason.Huang		Jason.Huang
REV	DATE	MODIFICATION DESCRIPTION	DRAW	CHANGE	APPROVE