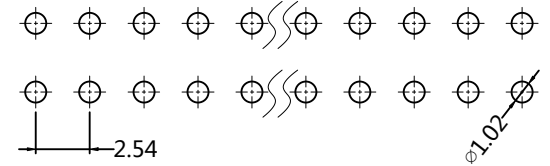
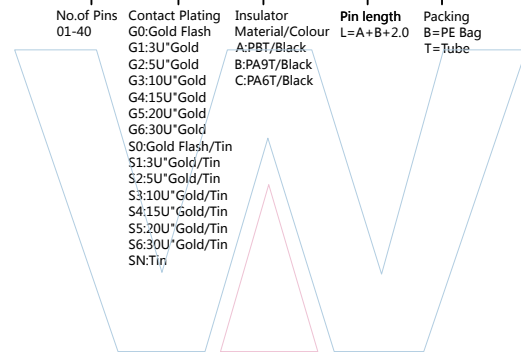




Recommended P.C.B Layout(Top Side)  
(PCB BOARD TOLERANCE±0.05)



**PART NUMBER CODING**  
PHFS15-12 XX XX X XXX X 1



No.of Pins  
01-40

Contact Plating  
G0:Gold Flash  
G1:3U\*Gold  
G2:5U\*Gold  
G3:10U\*Gold  
G4:15U\*Gold  
G5:20U\*Gold  
G6:30U\*Gold  
S0:Gold Flash/Tin  
S1:3U\*Gold/Tin  
S2:5U\*Gold/Tin  
S3:10U\*Gold/Tin  
S4:15U\*Gold/Tin  
S5:20U\*Gold/Tin  
S6:30U\*Gold/Tin  
SN:Tin

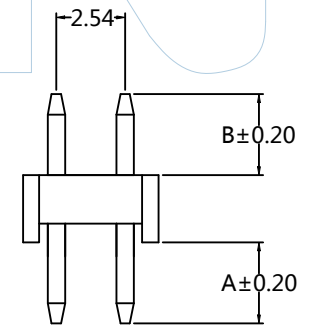
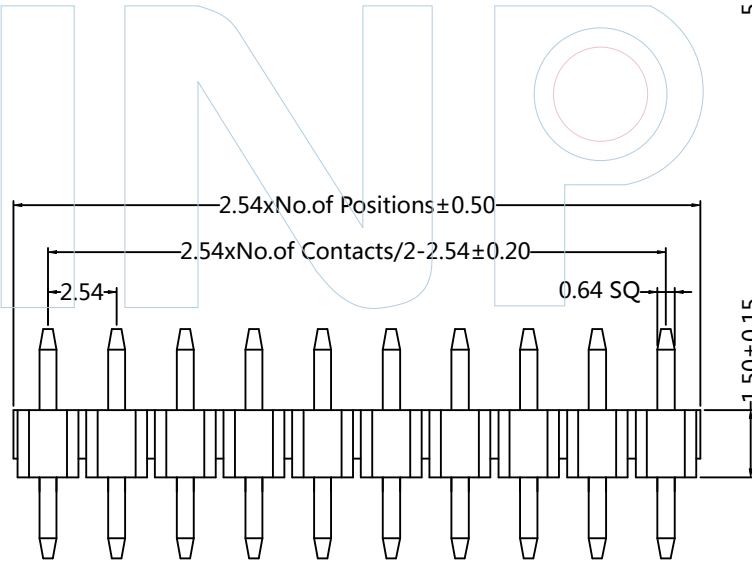
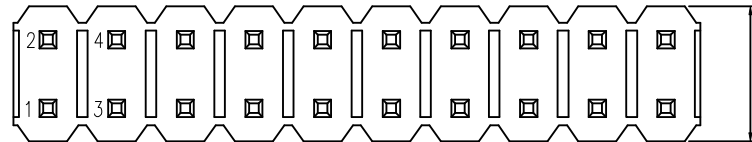
Insulator Material/Colour  
A:PBT/Black  
B:PA9T/Black  
C:PA6T/Black

Pin length  
L=A+B+2.0

Packing  
B=PE Bag  
T=Tube

Dimension antitheses list

ITEM	A	B	
Standard	3.00	6.00	
Alternate			



Tel: +86 769 82581808 FAX: +86 769 81766192  
E-Mail:sales@winpin.net Http://www.winpin.net

PART NO: PHFS15-12XXXXXXXXX1

TITLE: PH 2.54mm Dual ROW 180° H=1.5mm

NOTES:  
Current Rating:3.0AMP  
Withstand Voltage:500V AC/DC  
Contact Resistance:20mΩ Max  
Insulation Resistance:1000MΩ Min  
Operation Temperature:-40°C to +105°C

Contact Material: Brass  
Contact Plating:Au or Sn over Ni  
Insulator Material:PA9T/PA6T/PBT+30%GF  
(UL94V-0)

UNLESS OTHERWISE SPECIFIED DIMENSIONS ARE IN METRIC  
TOLERANCES ARE:  
DECIMALS Angle  
X.X:±0.40 ± 3°  
X.XX:±0.25  
X.XXX:±0.15

SCALE	1:1
UNIT	MM
PROJ.	
SHEET	

A0	2021-05-11	NEW	Nike.Tan		Andy
REV	DATE	MODIFICATION DESCRIPTIO	DRAW	CHANGE	APPROVE