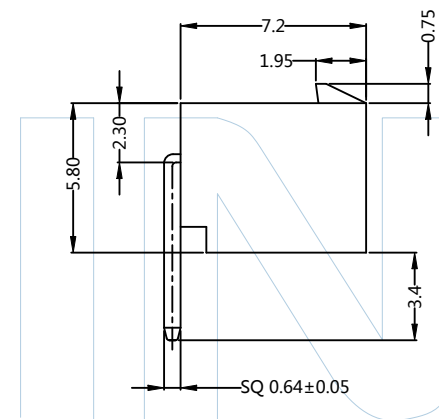
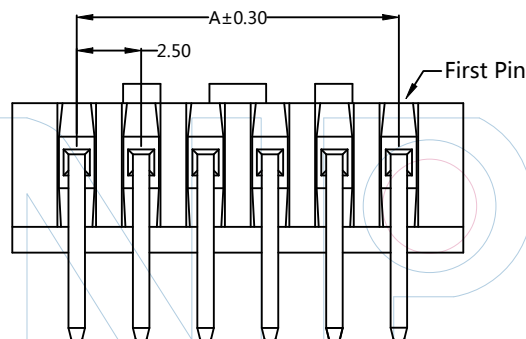
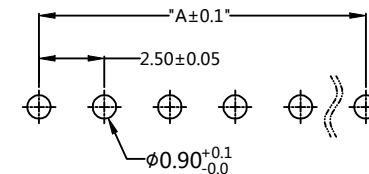
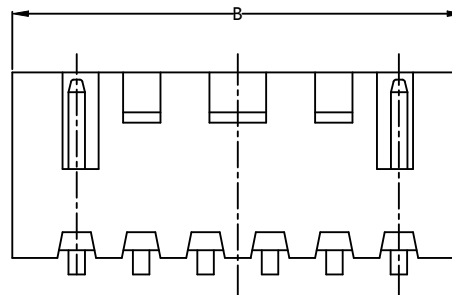




Recommended P.C.B Layout(Top Side)  
(PCB BOARD TOLERANCE±0.05)

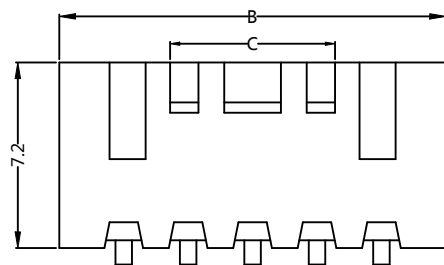


### PART NUMBER CODING

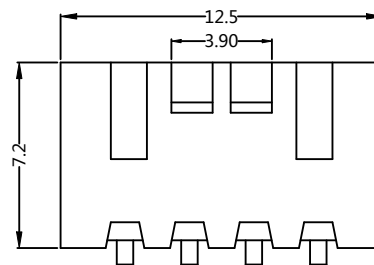
W25001-1 XX R XX E X 4

No.of Pins: 02-17P  
Contact plating: SN: Tin  
Color: E=Beige  
Packing: B=PE Bag

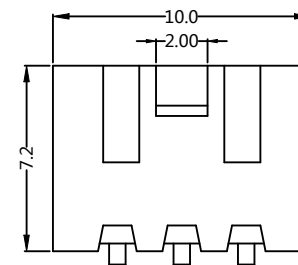
Pins	Dimensions		
	A	B	C
02	2.50	7.50	-
03	5.00	10.00	-
04	7.50	12.50	3.90
05	10.00	15.00	6.40
06	12.50	17.50	8.90
07	15.00	20.00	11.40
08	17.50	22.50	13.90
09	20.00	25.00	16.40
10	22.50	27.50	18.90
11	25.00	30.00	21.40
12	27.50	32.50	23.90
13	30.00	35.00	26.40
14	32.50	37.50	28.90
15	35.00	40.00	31.40
16	37.50	42.50	33.90
17	40.00	45.00	36.40



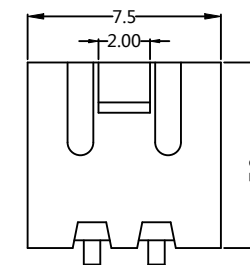
5P~17P



4P



3P



2P



Tel: +86 769 82581808 FAX: +86 769 81766192  
E-Mail: sales@winpin.net Http: www.winpin.net

PART NO: W25001-1XXRXXE4

TITLE: 2.5mm 90° Wafer

NOTES:  
Current Rating:3A AC/DC  
Voltage Rating:250V AC/DC  
Withstand Voltage:1000V AC/Minute  
Contact Resistance:20mΩ Max  
Insulation Resistance:1000MΩ Min  
Operation Temperature:-40°C~+105°C

Material:  
Contact:Brass  
Contact Plating:Sn over Ni  
Insulation:LCP, UL94V-0

UNLESS OTHERWISE SPECIFIED DIMENSIONS ARE IN METRIC  
TOLERANCES ARE:  
DECIMALS Angle  
X.X:±0.40 ± 3°  
X.XX:±0.25  
X.XXX:±0.15

SCALE	1:1
UNIT	MM
PROJ.	
SHEET	

A0	2019/01/25	NEW	GF.He	Andy	
REV	DATE	MODIFICATION DESCRIPTIO	DRAW	CHANGE	APPROVE