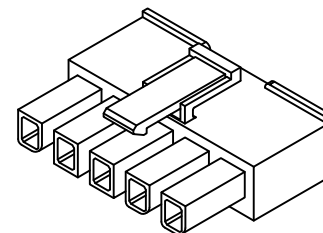
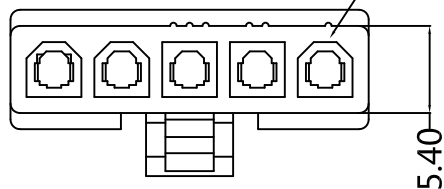


Circuit 1

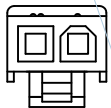


PART NUMBER CODING
H42002-1 XX X 1

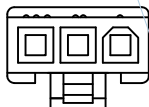
No. of pins
02-06P

Color
W=White
B=Black

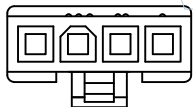
02P



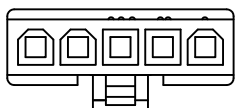
03P



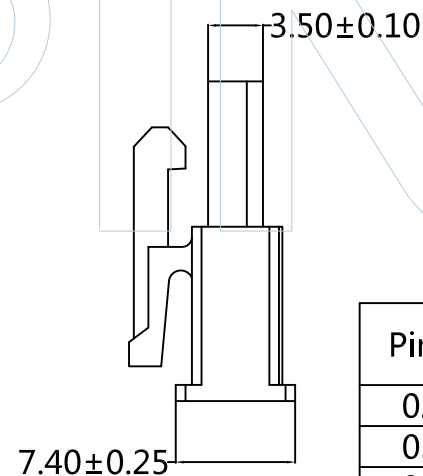
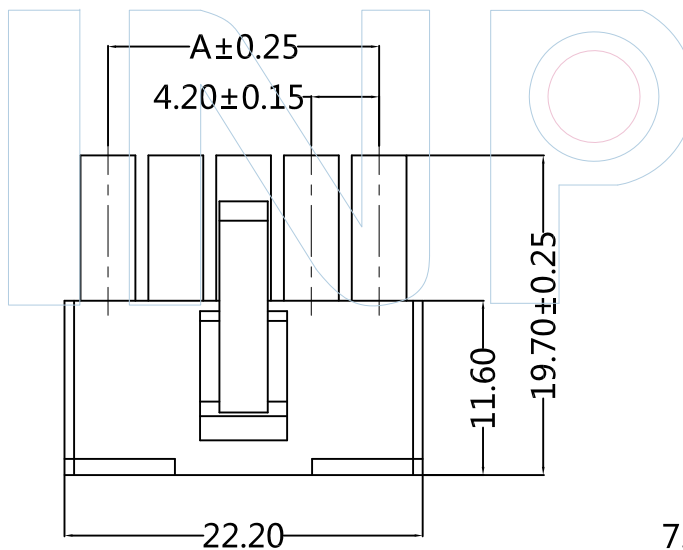
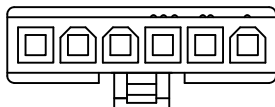
04P



05P



06P



Pins	Dimensions	
	A	B
02	4.20	9.60
03	8.40	13.80
04	12.60	18.00
05	16.80	22.20
06	21.00	26.40