



PART NUMBER CODING

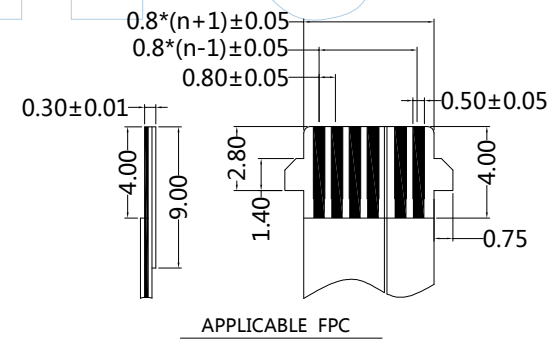
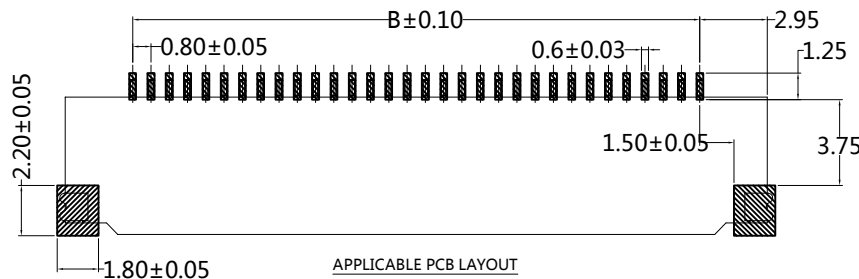
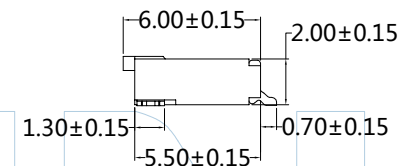
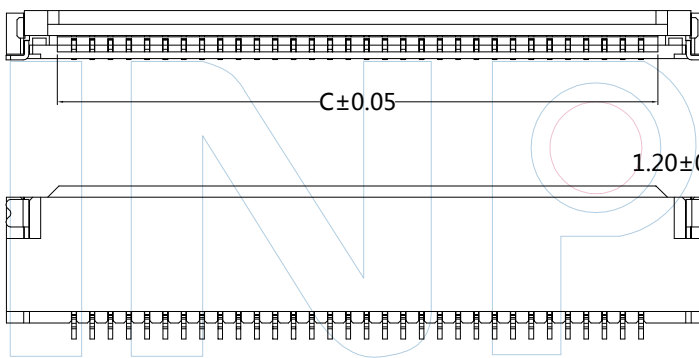
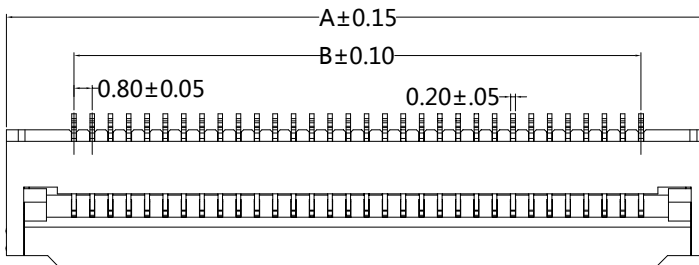
FP2GZ20-XX XX X 3 X 1

NO. of Pins
04-60P

Contact Plating
SN: Tin

Color
E= Beige

Packing
T: Tube
R: Reel



Pins	Dimensions		
	A	B	C
12	14.70	8.80	10.45
24	24.30	18.40	20.50
28	27.50	21.60	23.25
30	29.10	23.20	24.85
32	30.70	24.80	26.45
34	32.30	26.40	28.05
36	33.90	28.00	29.65



Tel: +86 769 82581808 FAX: +86 769 81766192
E-Mail: sales@winpin.net Http: www.winpin.net

PART NO: FP2GZ20-XXXXX3X1

TITLE: 0.8mm FPC SMT H=2.0 掀盖下接式

NOTE:
Operating Voltage: 50V AC/DC
Current Rating: 0.3 AC/DC
Operating Temperature: -25~85°C

MATERIAL:
Housing: LCP UL 94V-0
Actuator: LCP UL 94V-0
Contacts: Copper Alloy
Peg: Copper Alloy
PLATING:
Contacts: Tin over Nickel
Peg: Tin over Nickel

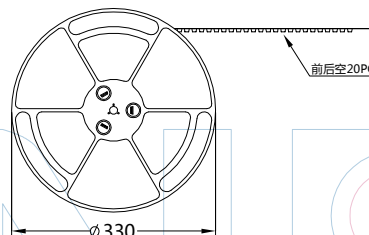
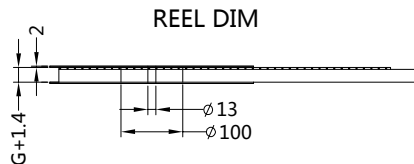
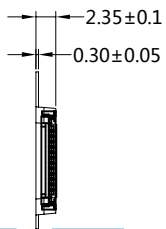
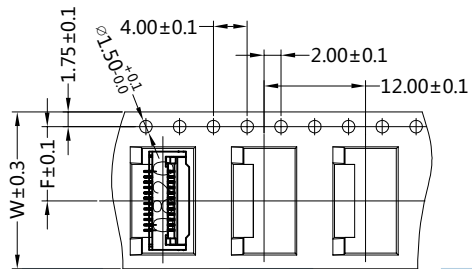
UNLESS OTHERWISE SPECIFIED DIMENSIONS ARE IN METRIC TOLERANCES ARE:
DECIMALS Angle
X.X: ±0.40 ± 3°
X.XX: ±0.25
X.XXX: ±0.15

SCALE	1:1
UNIT	MM
PROJ.	
SHEET	1/2

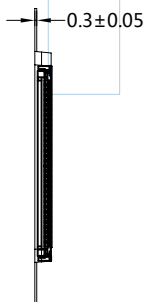
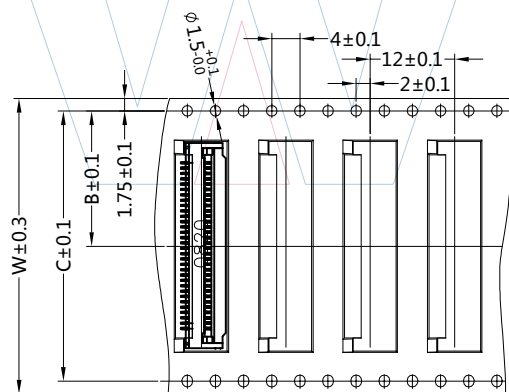
A0	2021/10/28	NEW	GF.He	Andy	
REV	DATE	MODIFICATION DESCRIPTION	DRAW	CHANGE	APPROVE



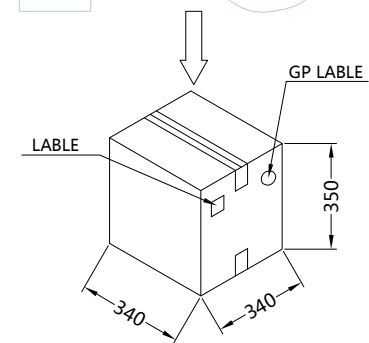
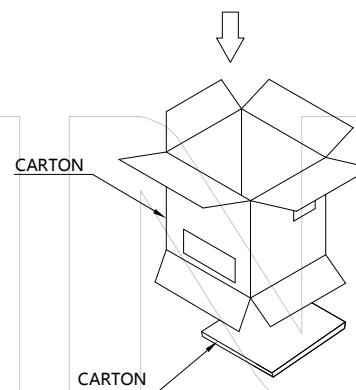
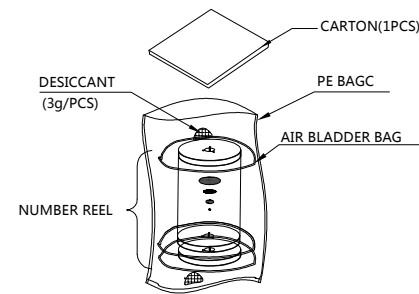
Tape width 24 mm



Tape width 44 and 56 mm



Pins	Dimensions			Reel (carton)	Sum (pcs)
	A	B	C		
4P-12P	14.70	8.80	10.45	10	20000
28P-32P	24.30	18.40	20.50	6	12000
33P-36P	27.50	21.60	23.25	5	10000



Tel:+86 769 82581808 FAX:+86 769 81766192
E-Mail:sales@winpin.net Http:www.winpin.net

PART NO: FP2GZ20-XXXXX3X1

TITLE: 0.8mm FPC SMT H=2.0 掀盖下接式 包装规范

NOTES:

- 1.Component load per 13" reel:2000 pcs
- 2.Material: black conductive polystyrene alloy.
- 3.Thickness:0.3±0.05mm
- 4.All dimensions meet eia-481-c requirements

UNLESS OTHERWISE SPECIFIED DIMENSIONS ARE IN METRIC TOLERANCES ARE:
DECIMALS Angle
X.X:±0.40 ± 3°
X.XX:±0.25
X.XXX:±0.15

SCALE	1:1
UNIT	MM
PROJ.	
SHEET	2/2

A0	2021/10/28	NEW	GF.He		Andy
REV	DATE	MODIFICATION DESCRIPTIO	DRAW	CHANGE	APPROVE