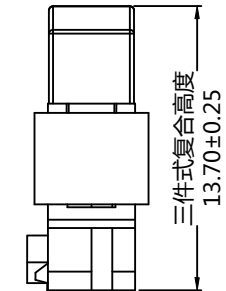
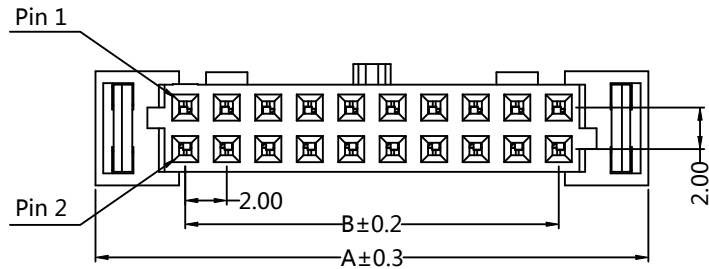
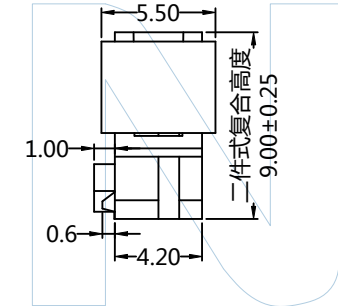
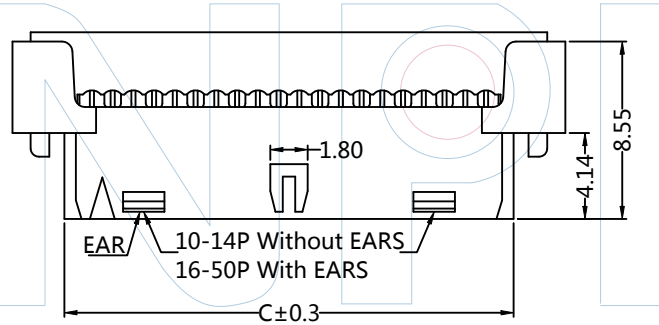
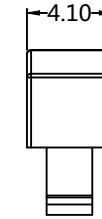
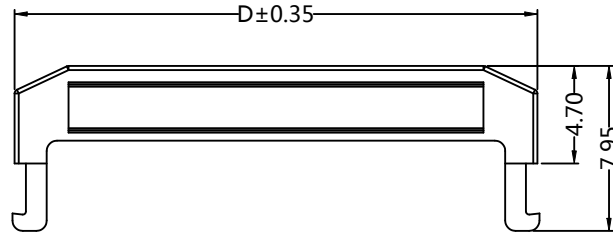
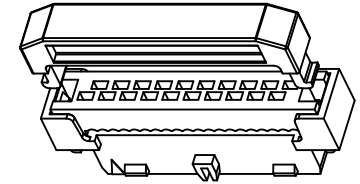
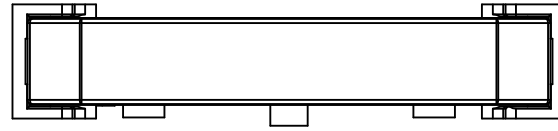




### PART NUMBER CODING

**IDC6 X- XX XX X X X 1**  
 TYPE: 1:With Bump, 2:w/o Bump  
 No. of Pins: 10-50P  
 Contact Plating: S0:Gold Flash/Ni, S1:3U\*Gold/Ni, S2:5U\*Gold/Ni, S3:10U\*Gold/Ni, S4:15U\*Gold/Ni, S5:20U\*Gold/Ni, S6:30U\*Gold/Ni  
 Color: B:Black, G:Grey  
 TYPE: 2:W/O SR, 3:With SR  
 Packing: A:Tray

Pins	Dimensions			
	A	B	C	D
10	16.65	8.00	11.65	15.20
12	18.65	10.00	13.65	17.20
14	20.65	12.00	15.65	19.20
16	22.65	14.00	17.65	21.20
18	24.65	16.00	19.65	23.20
20	26.65	18.00	21.65	25.20
22	28.65	20.00	23.65	27.20
24	30.65	22.00	25.65	29.20
26	32.65	24.00	27.65	31.20
28	34.65	26.00	29.65	33.20
30	36.65	28.00	31.65	35.20
34	40.65	32.00	35.65	39.20
40	46.65	38.00	40.65	45.20
44	50.65	42.00	45.65	49.20
50	56.65	48.00	51.65	55.20



Tel: +86 769 82581808 FAX: +86 769 81766192  
 E-Mail: sales@winpin.net Http: www.winpin.net

PART NO: IDC6X-XXXXXXX1  
 TITLE: 2.00mm IDC Socket "M" TYPE (With Ramp Locking)

**NOTES:**  
 Current Rating:1.0AMP  
 Withstand Voltage:500V AC/DC  
 Contact Resistance:20mΩ Max  
 Insulation Resistance:1000MΩ Min  
 Operation Temperature:-40°C to +105°C

**MATERIAL:**  
 Contact Material:Brass  
 Contact Plating:Au over Ni  
 Insulator Material:PBT+30%GF(UL94V-0)

UNLESS OTHERWISE SPECIFIED DIMENSIONS ARE IN METRIC  
 TOLERANCES ARE:  
 DECIMALS Angle  
 X.X:±0.40 ± 3°  
 X.XX:±0.25  
 X.XXX:±0.15

SCALE	1:1	A0	2015/06/25	NEW	Myron.Yuan	Myron.Yuan
UNIT	MM	REV	DATE	MODIFICATION DESCRIPTIO	DRAW	APPROVE
PROJ.						
SHEET						